

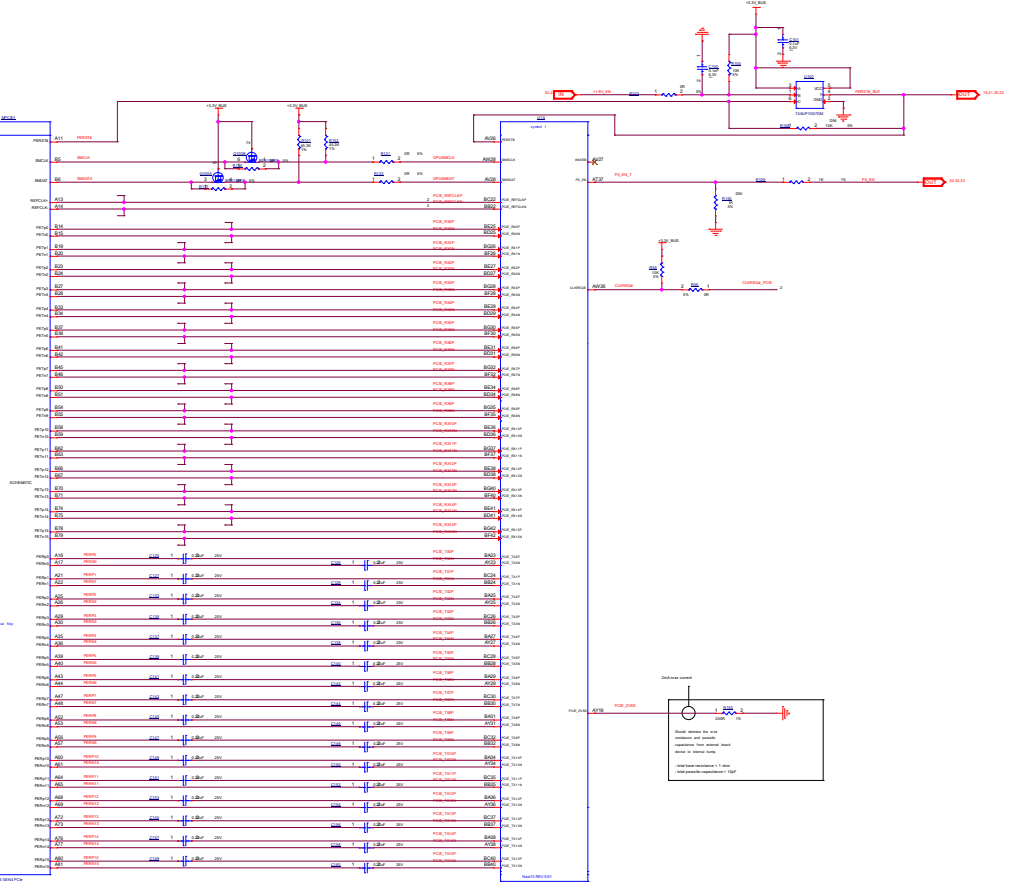
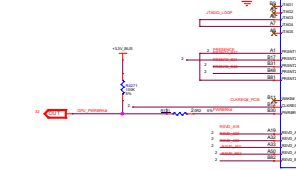
PRELIMINARY AND SUBJECT TO CHANGE

TABLE OF CONTENTS

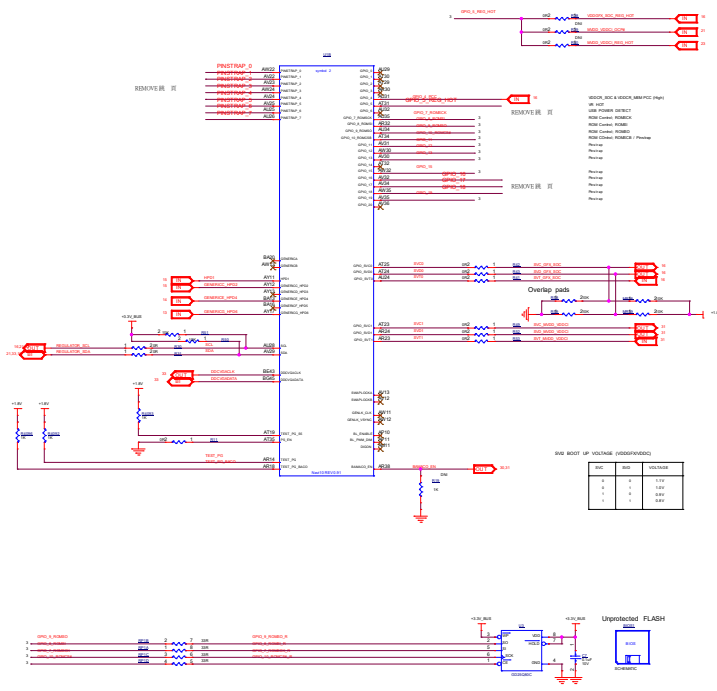
SHEET NO.	SHEET NAME	SHEET NO.	SHEET NAME
1	TOC	26	SMALL FAN REGULATORS
2	NAIHO PCN Interface	27	NAIHO DECAPS
3	NAIHO GPCH	28	NAIHO POWER
4	NAIHO I2C	29	NAIHO QMC
5	NAIHO MEM CHAB	30	POWER MANAGEMENT
6	NAIHO MEM CHCD	31	SW & SWACD
7	NAIHO MEM CHEF	32	MECHANICAL & THERMAL
8	NAIHO MEM CHSH	33	DEBUG
9	GDORN MEM CHAB	34	BLOCK DIAGRAM
10	GDORN MEM CHCD	35	BUCKET HISTORY
11	GDORN MEM CHEF		
12	GDORN MEM CHSH		
13	NAIHO TMCPA - GP		
14	NAIHO TMCPA - HDM		
15	NAIHO TMCPA - DP DP		
16	GPX & SOC CONTROLLER		
17	VDDOR_GFX PHASES 1 and 5		
18	VDDOR_GFX PHASES 1 and 4		
19	VDDOR_GFX PHASES 3 and 7		
20	VDDOR_GFX PHASES 6 and VDDOR_SOC		
21	MVDD_VDDO CONTROLLER		
22	REG 1.8V		
23	REG VDDO		
24	REG 0.75V		
25	REG 1.8V		

PLEASE REFER CAPS IN SCHEM TO
PCIE CONNECTOR PIN LISTING

Component list table with columns for part number, value, and description.

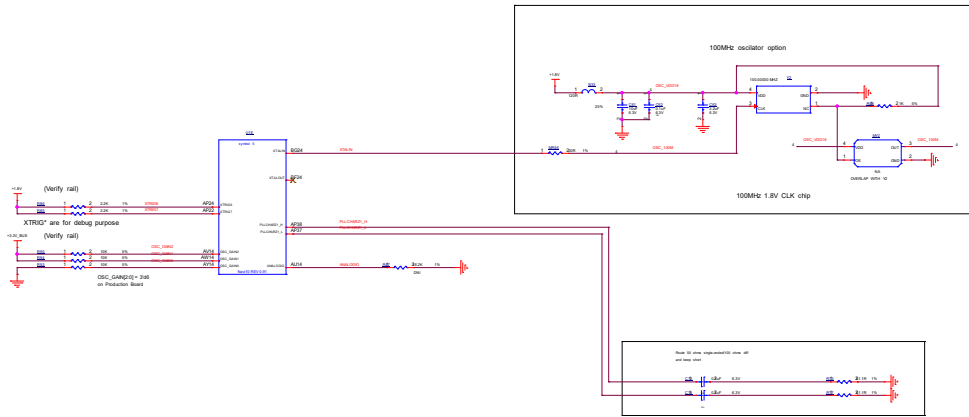


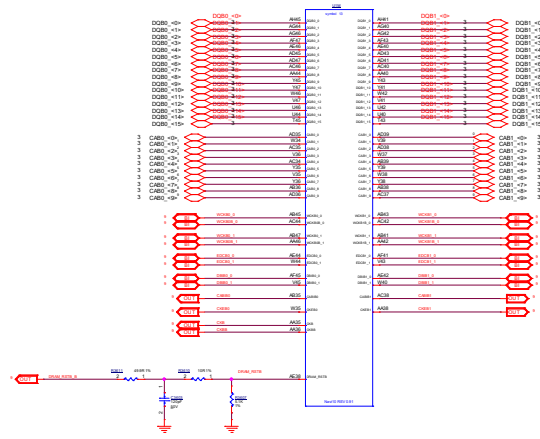
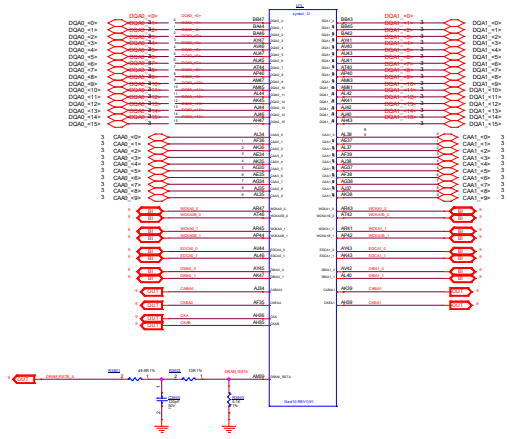
SYMBOL LEGEND table defining symbols for pins, vias, and other components.

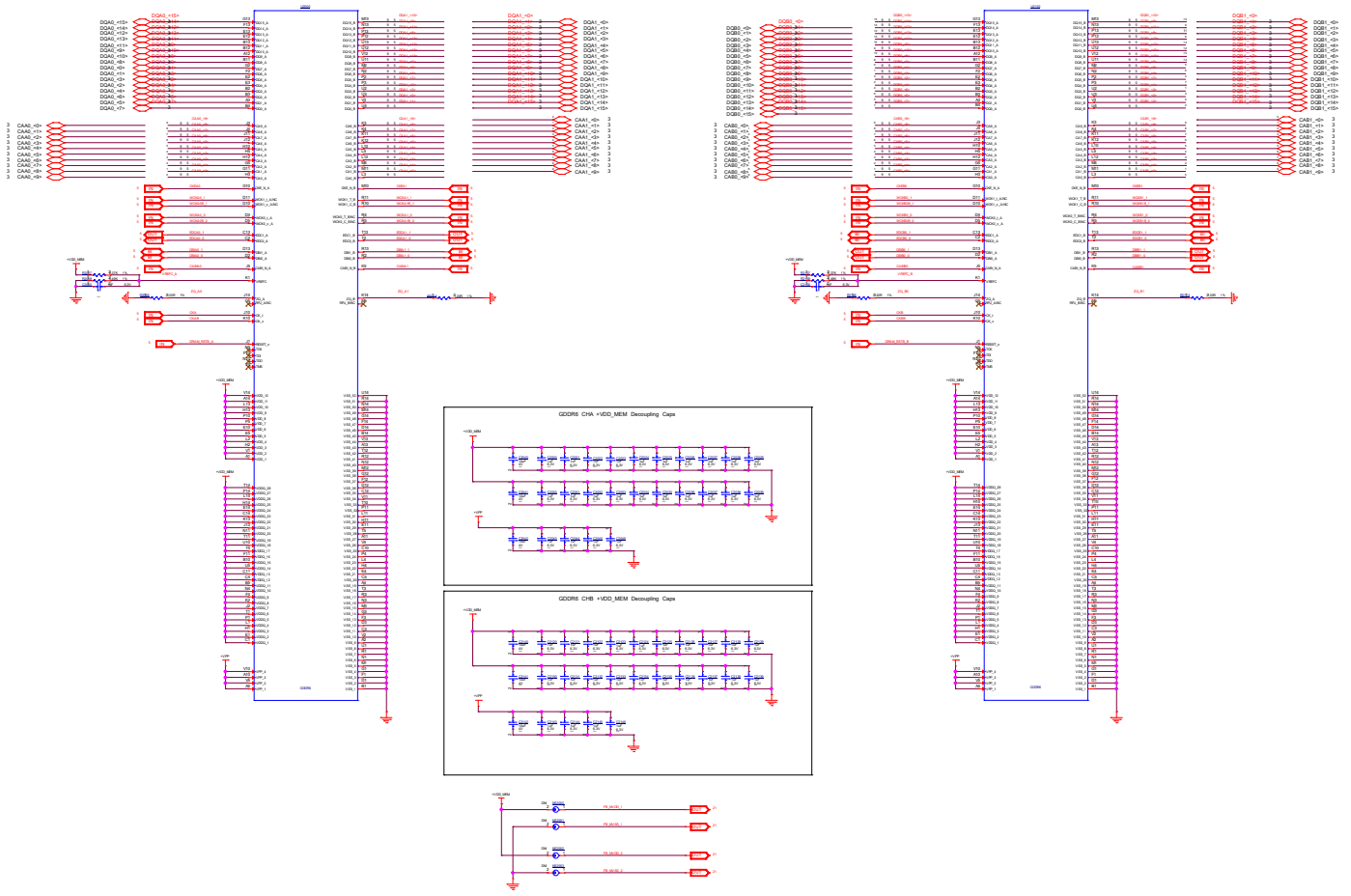


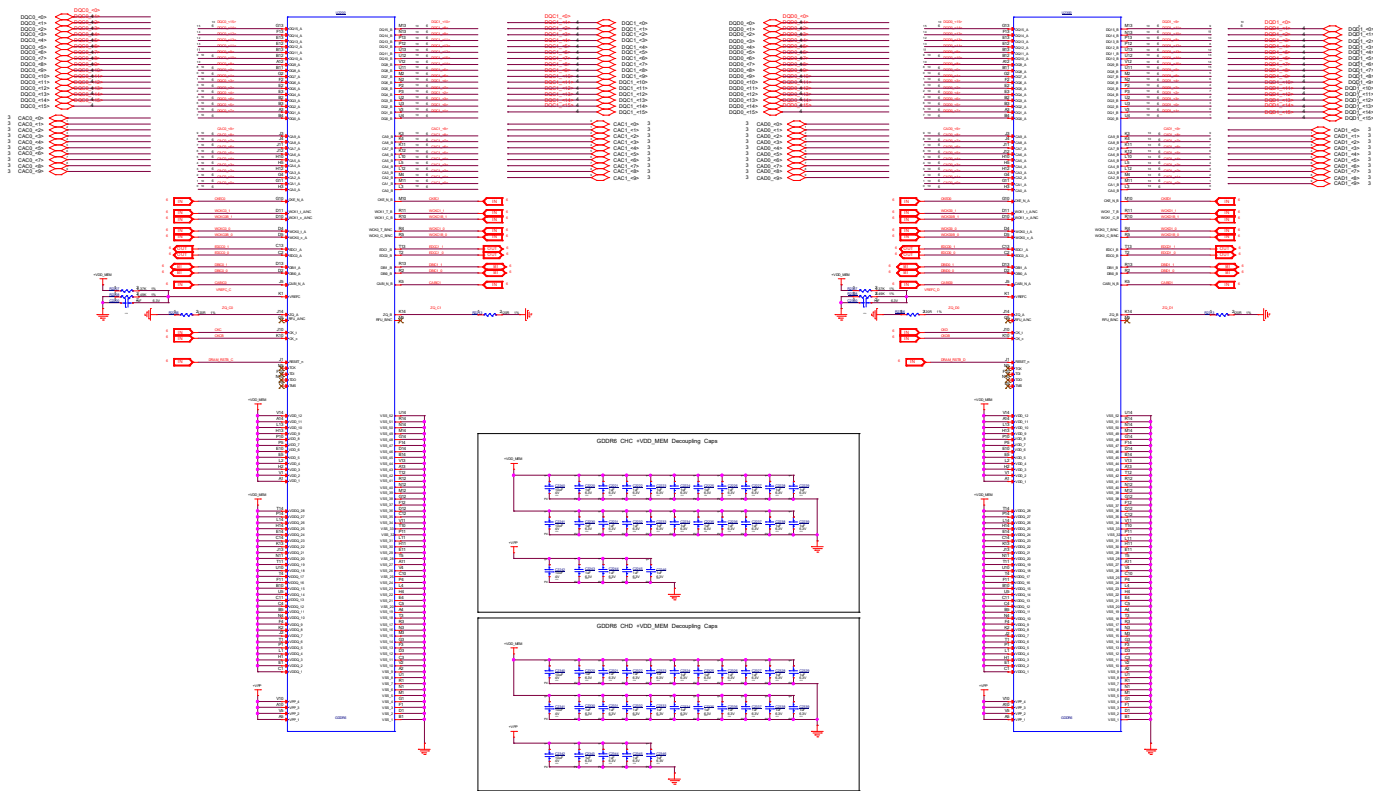
Note: Internal PUPD or GPD pin is -05k strength in VDD design rule

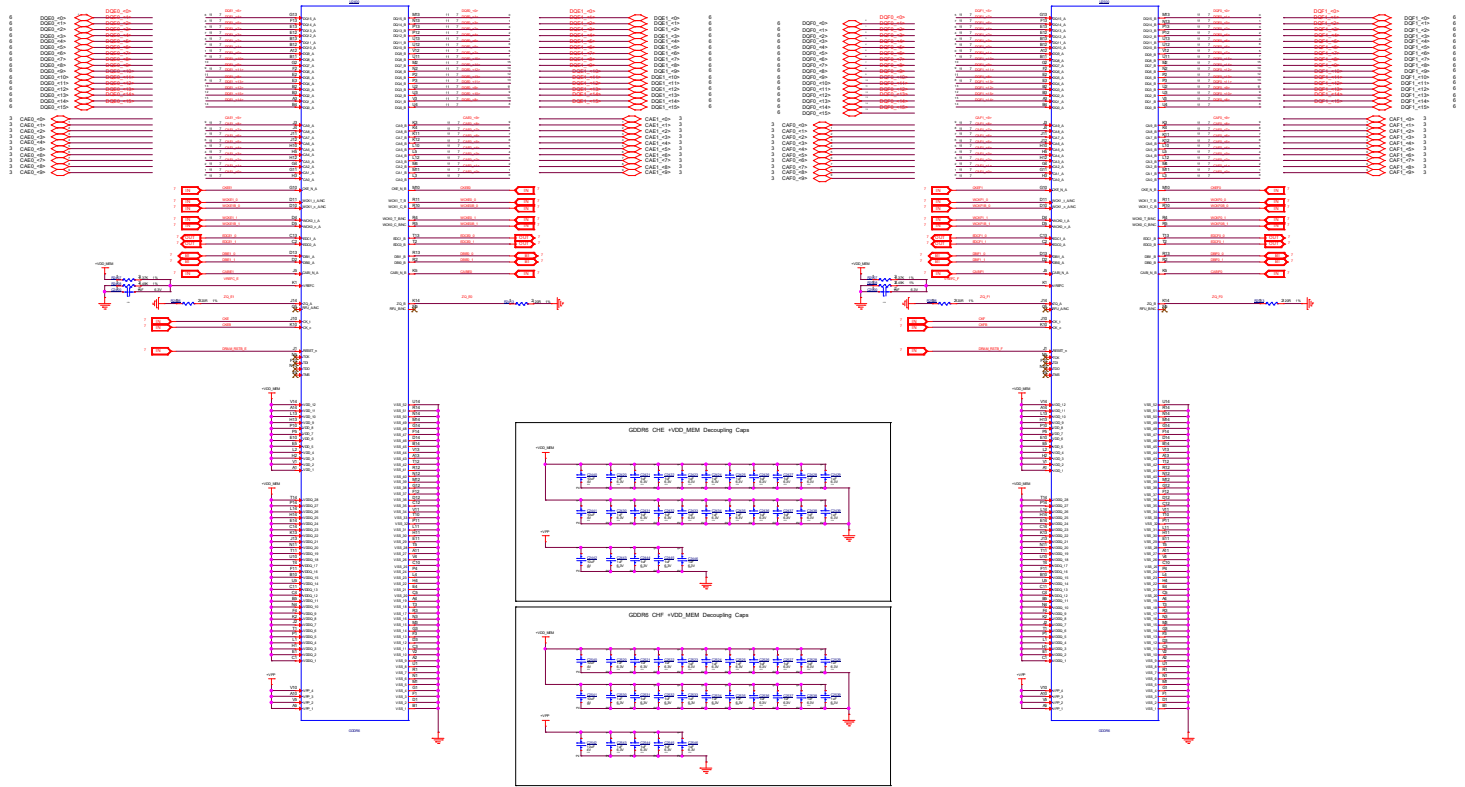
User	Internal Default Value	Definition
BIF	STRAP_BIF_GEN4_DIS_A	0 0 Pin-05k + impedance 0 Pin-05k + impedance
	PINSTRAP_BIF_CLK_PM_EN	0 0. CSTRAP pin is managed manually. 0. Manual
	PINSTRAP_BIF_LC_TX_SWING	0 0. CSTRAP pin is managed manually. 0. Manual
	PINSTRAP_BIF_VGA_DIS	0 0. CSTRAP pin is managed manually. 0. Manual
DCE	PINSTRAP_AUD_PORT_CONN2[0]	0 0. Number of sub-capsules (single sub-capsule)
	PINSTRAP_AUD1[0]	0 0. Number of sub-capsules (single sub-capsule)
	PINSTRAP_AUD2[0]	0 0. Number of sub-capsules (single sub-capsule)
	PINSTRAP_AUD3[0]	0 0. Number of sub-capsules (single sub-capsule)
Platform	PINSTRAP_AUD4[0]	0 0. Number of sub-capsules (single sub-capsule)
	PINSTRAP_AUD5[0]	0 0. Number of sub-capsules (single sub-capsule)
	PINSTRAP_AUD6[0]	0 0. Number of sub-capsules (single sub-capsule)
SMU	PINSTRAP_SMBUS_ADDR	0 0. Manual
	PINSTRAP_BIOS_ROM_EN	1 1. Enable for Internal BIOS ROM access

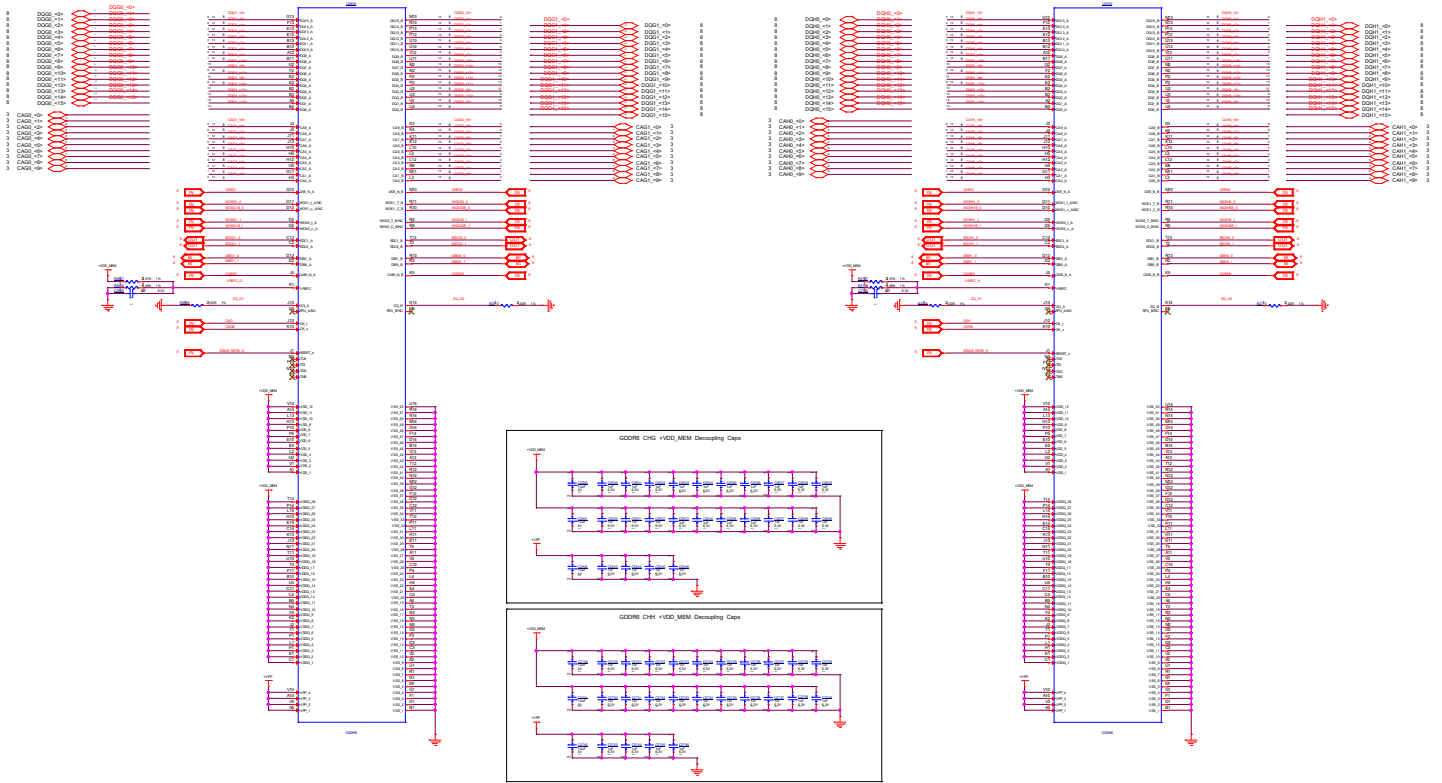


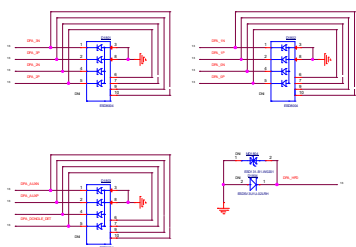
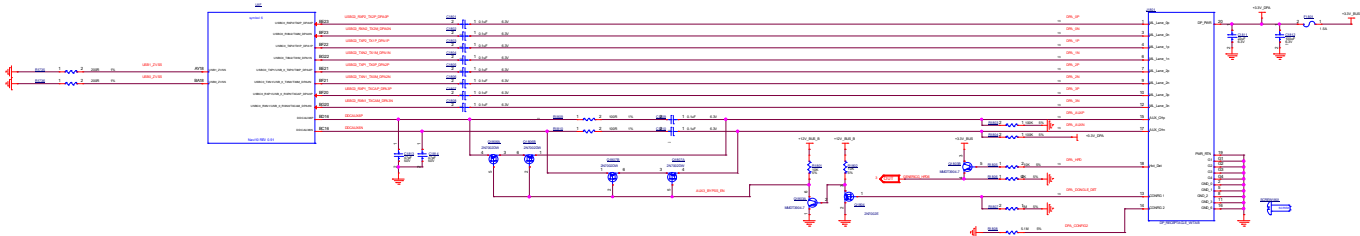
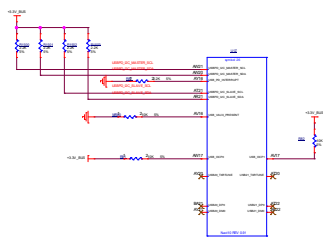




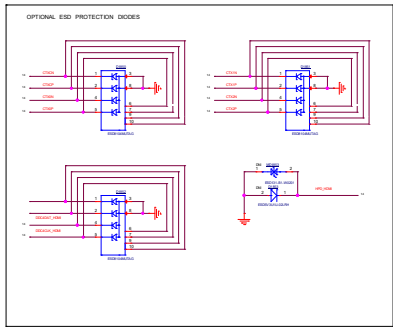
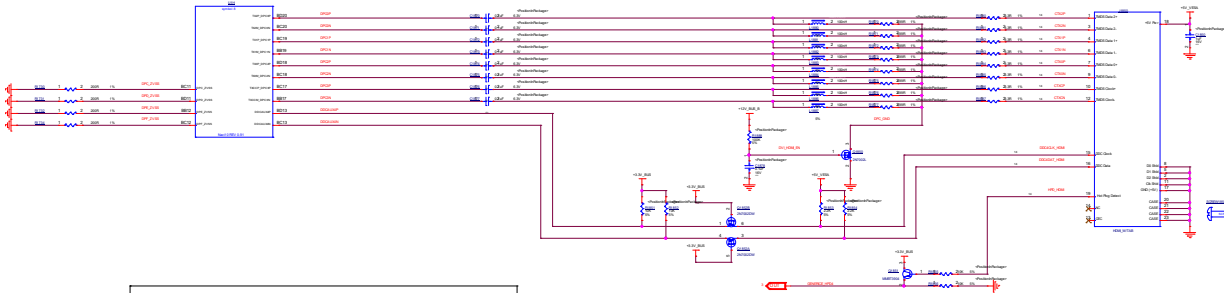




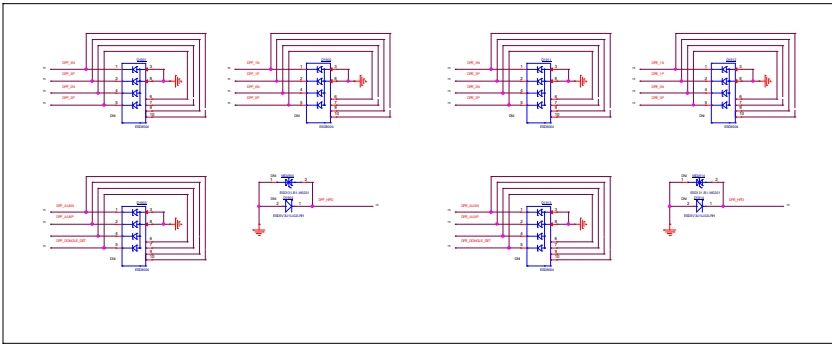
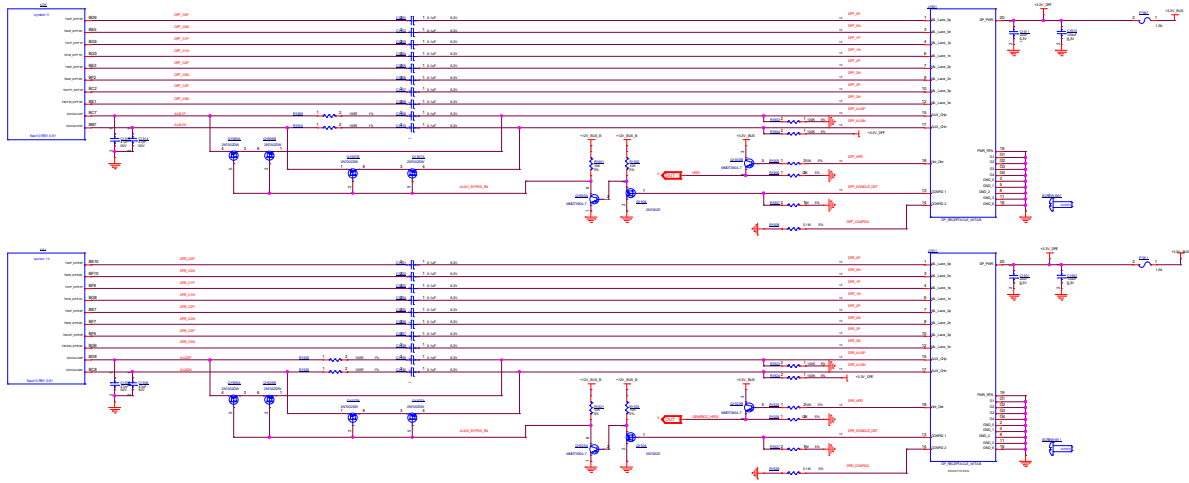


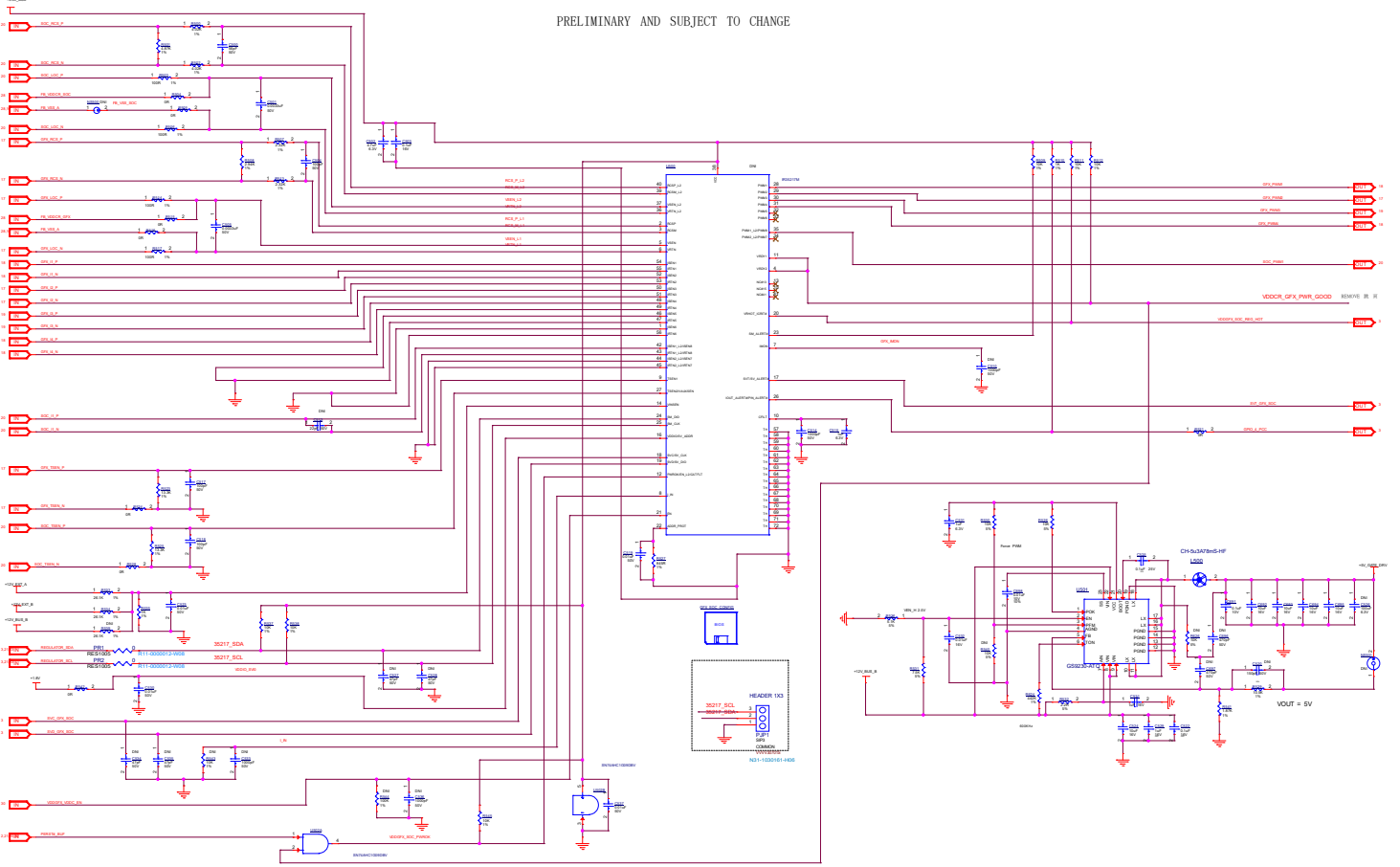


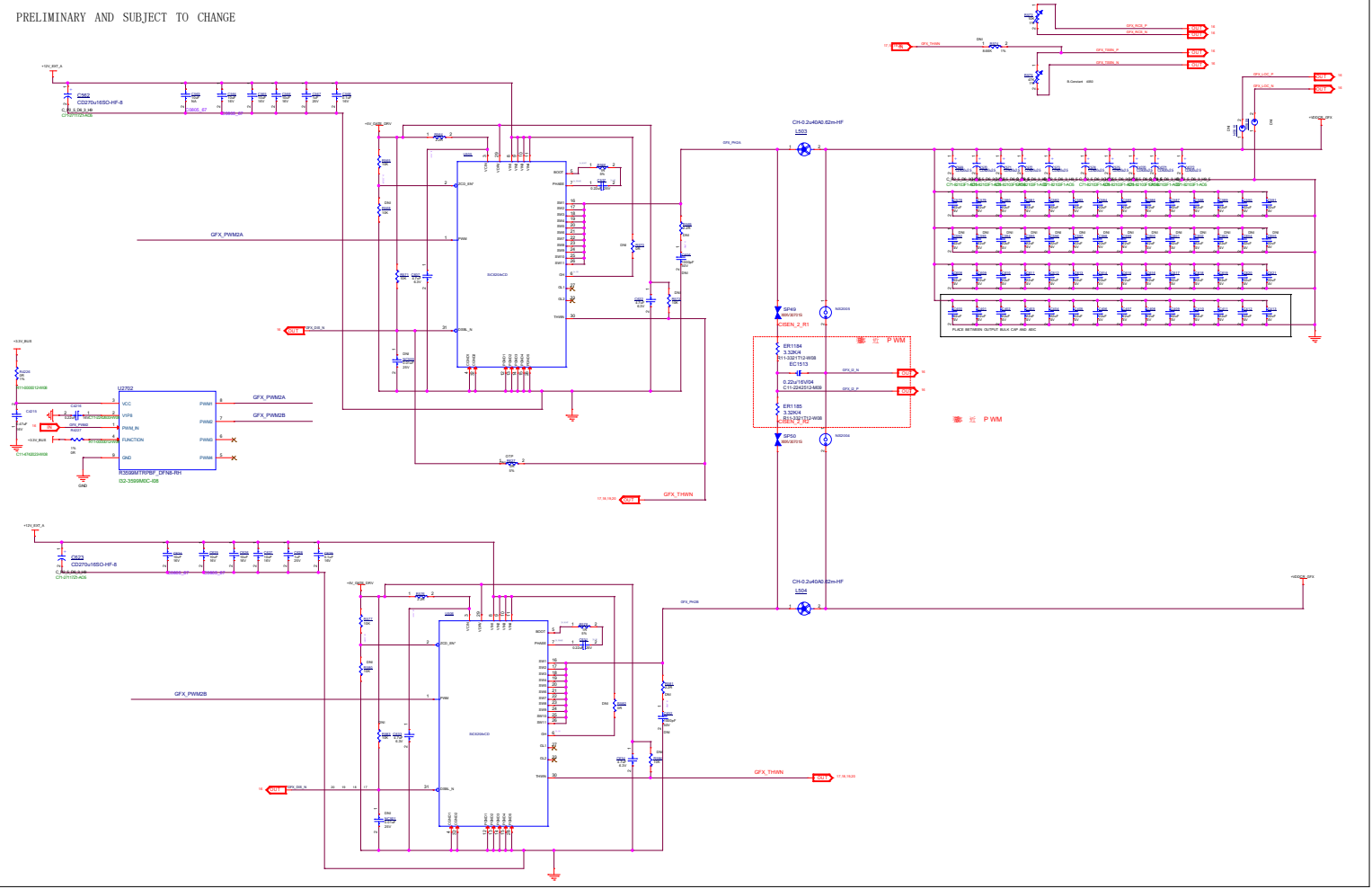
NAV110 TMDP C/D

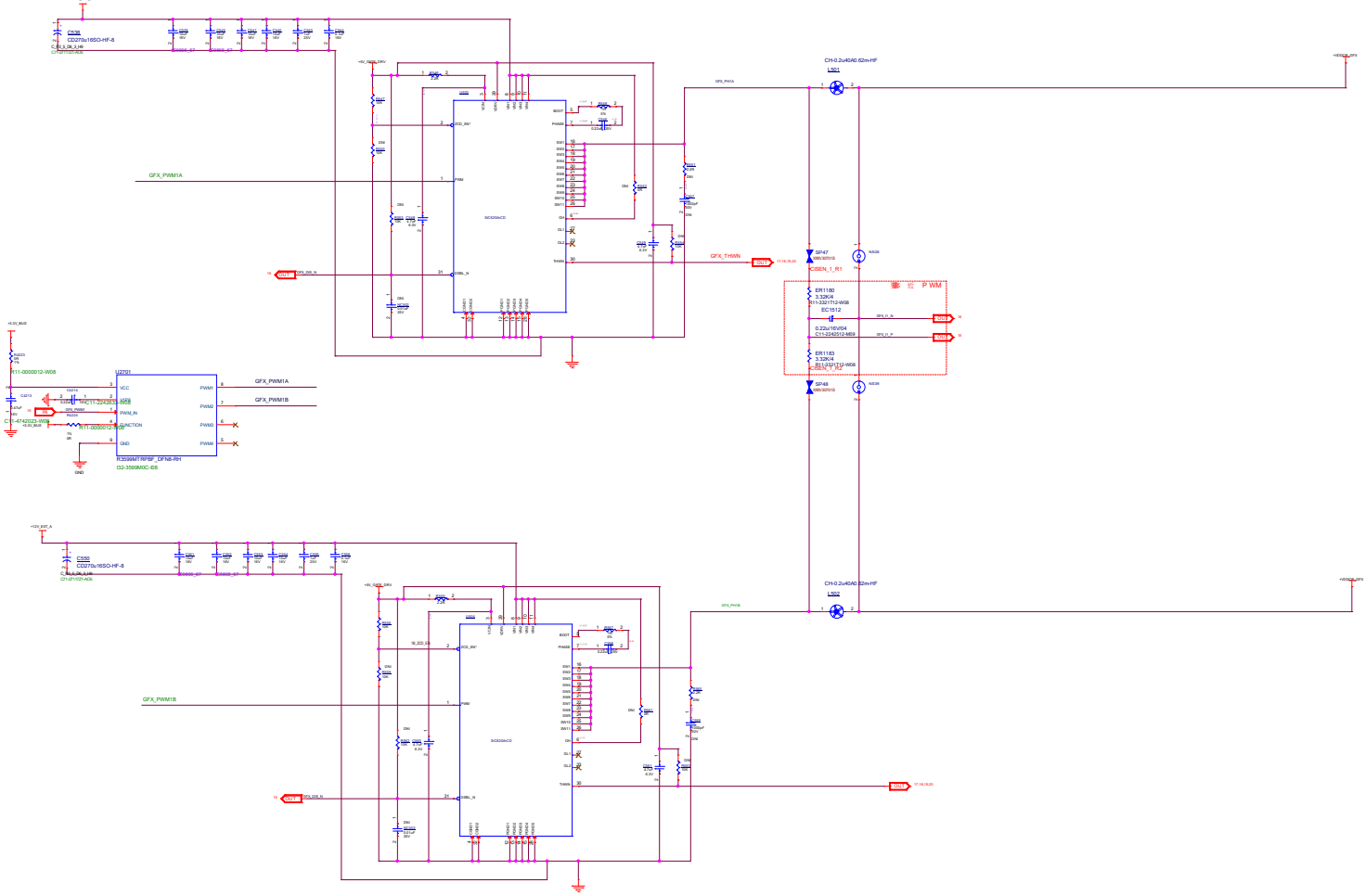


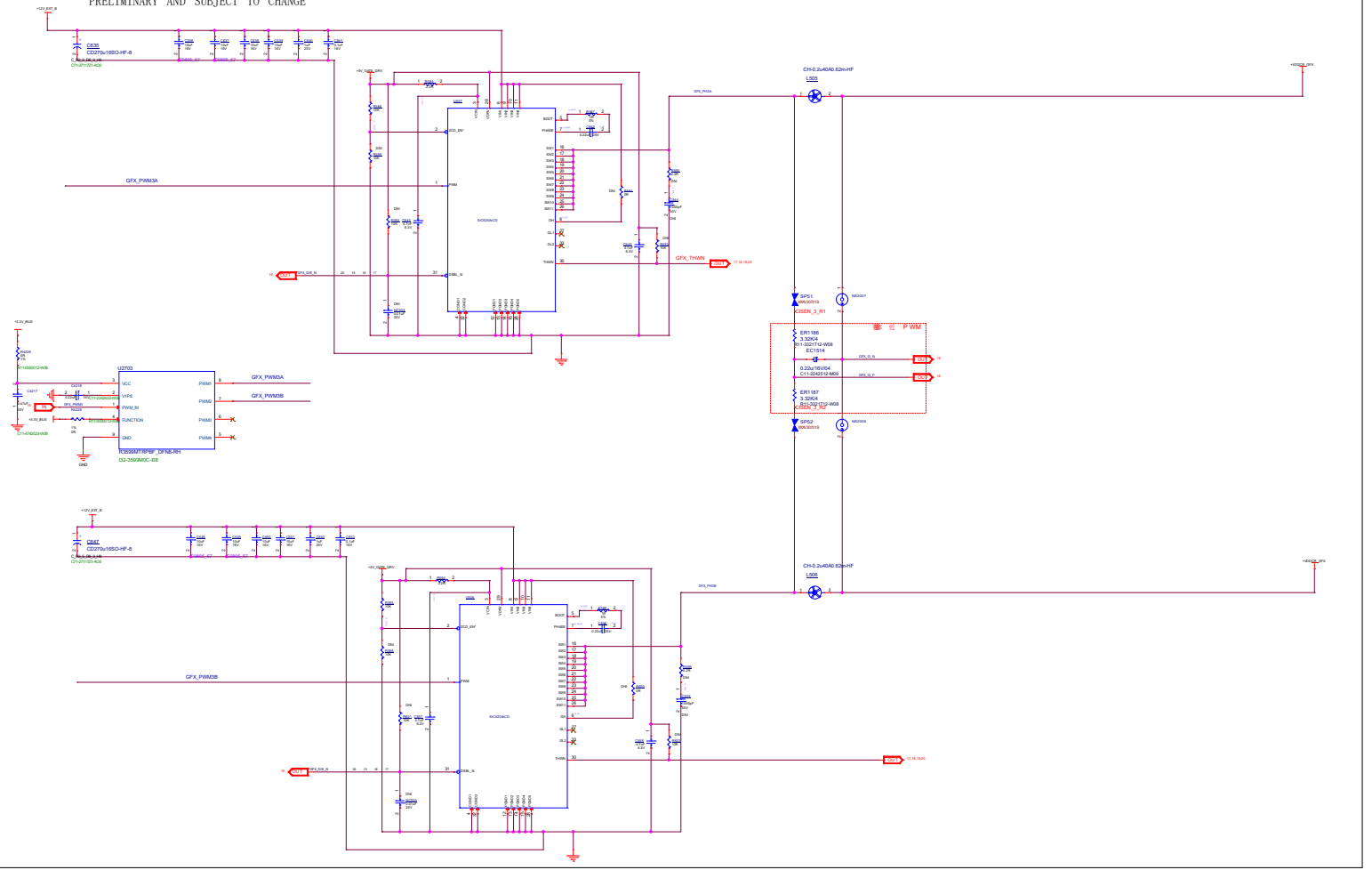
(9) NAV110 TMDP E/F

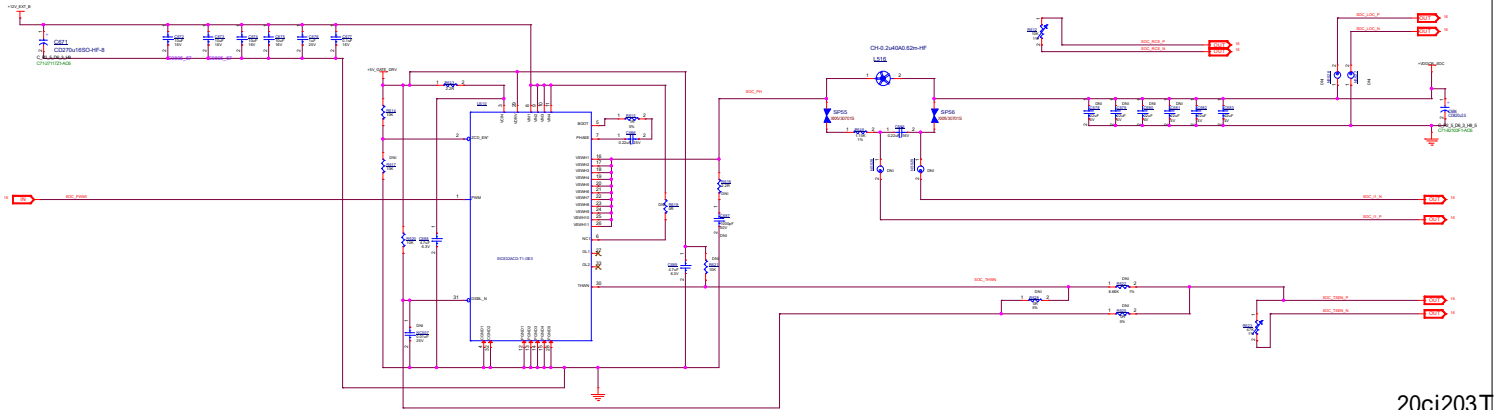


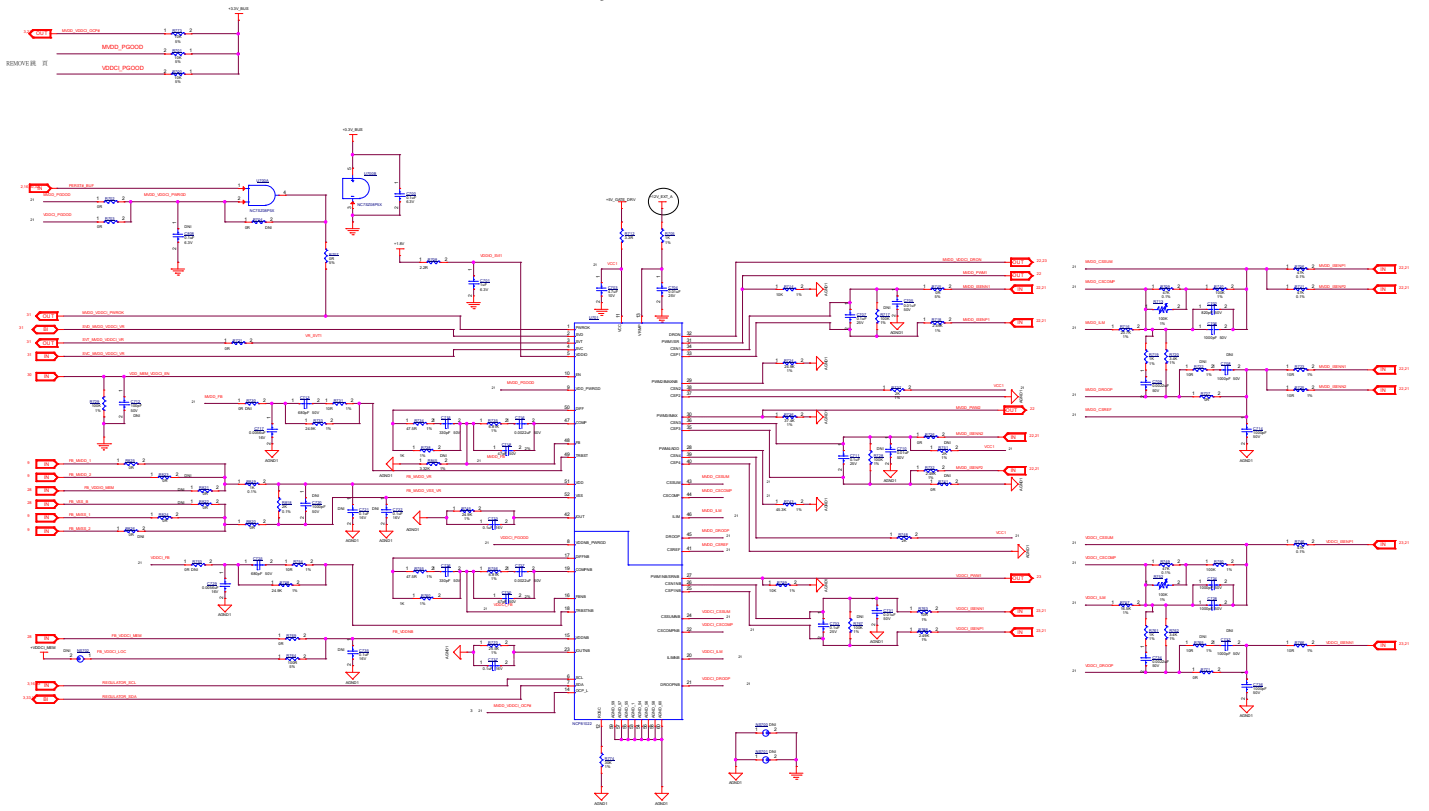


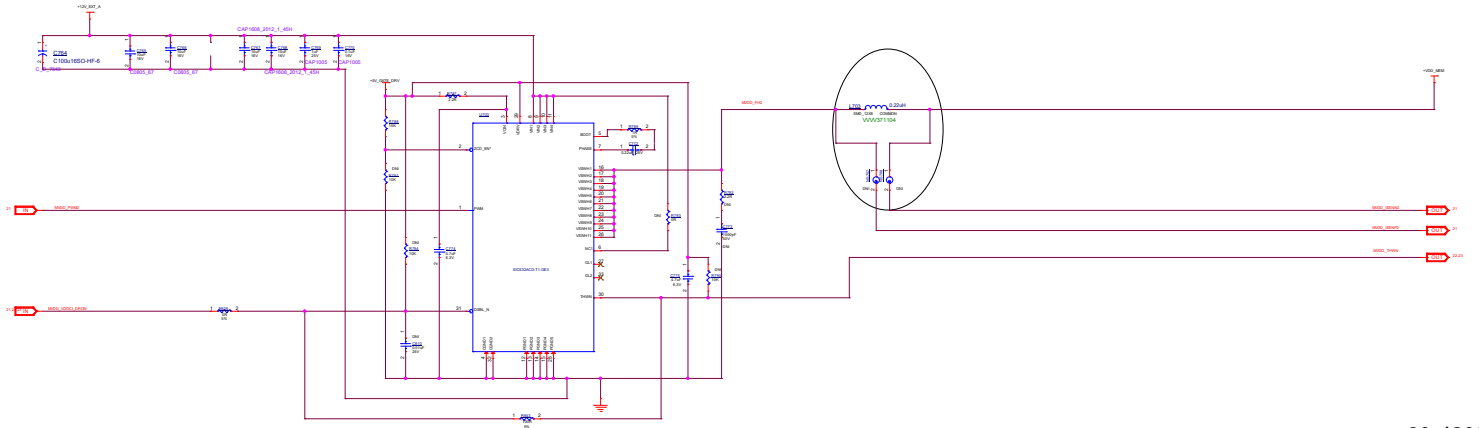
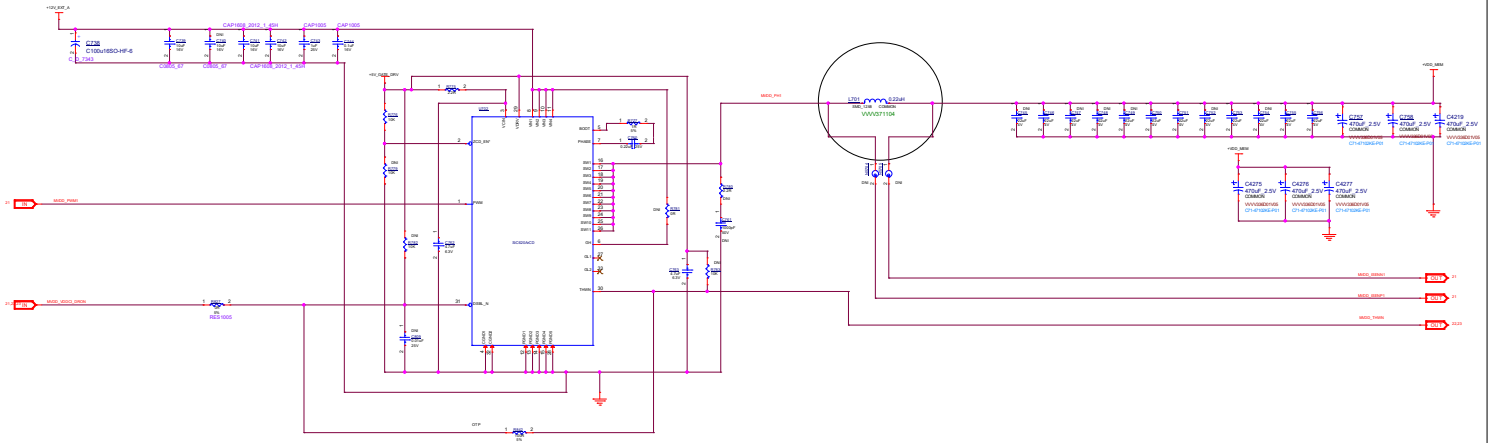


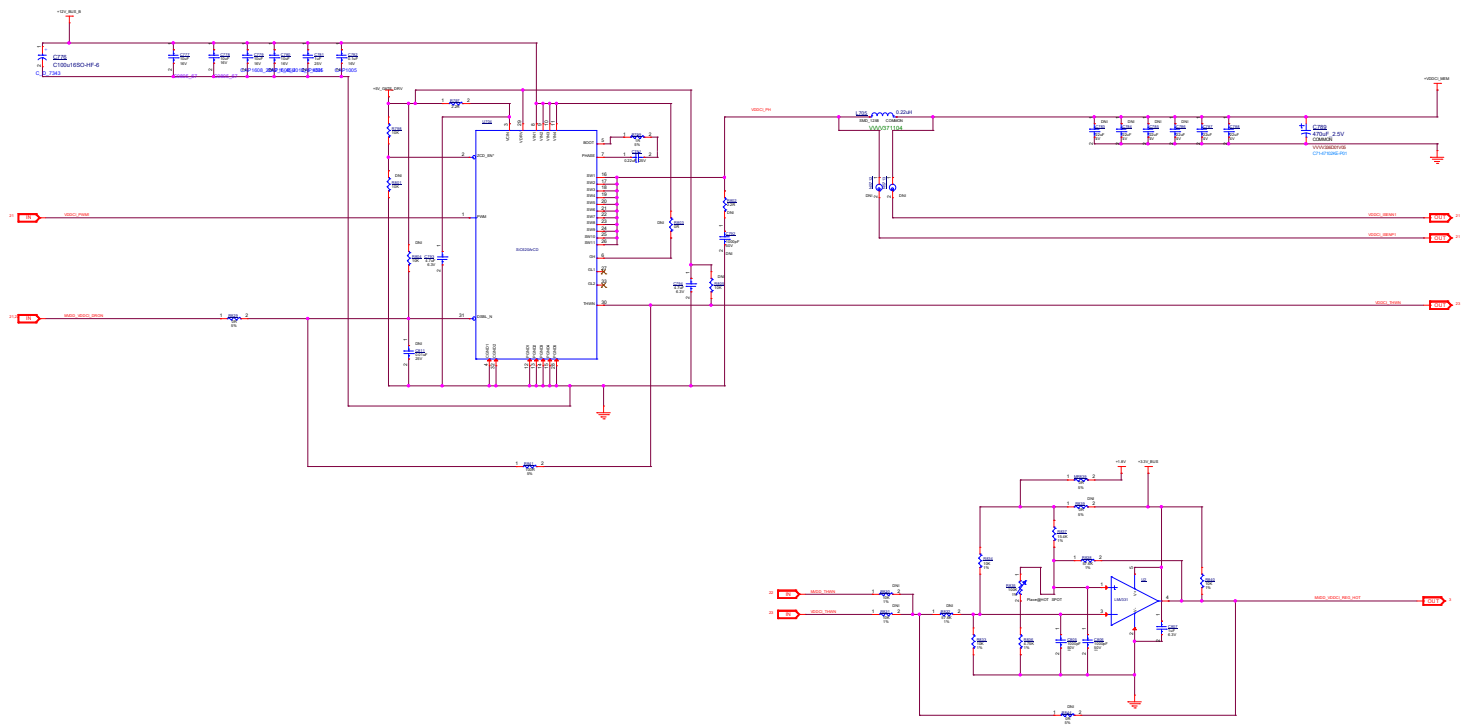


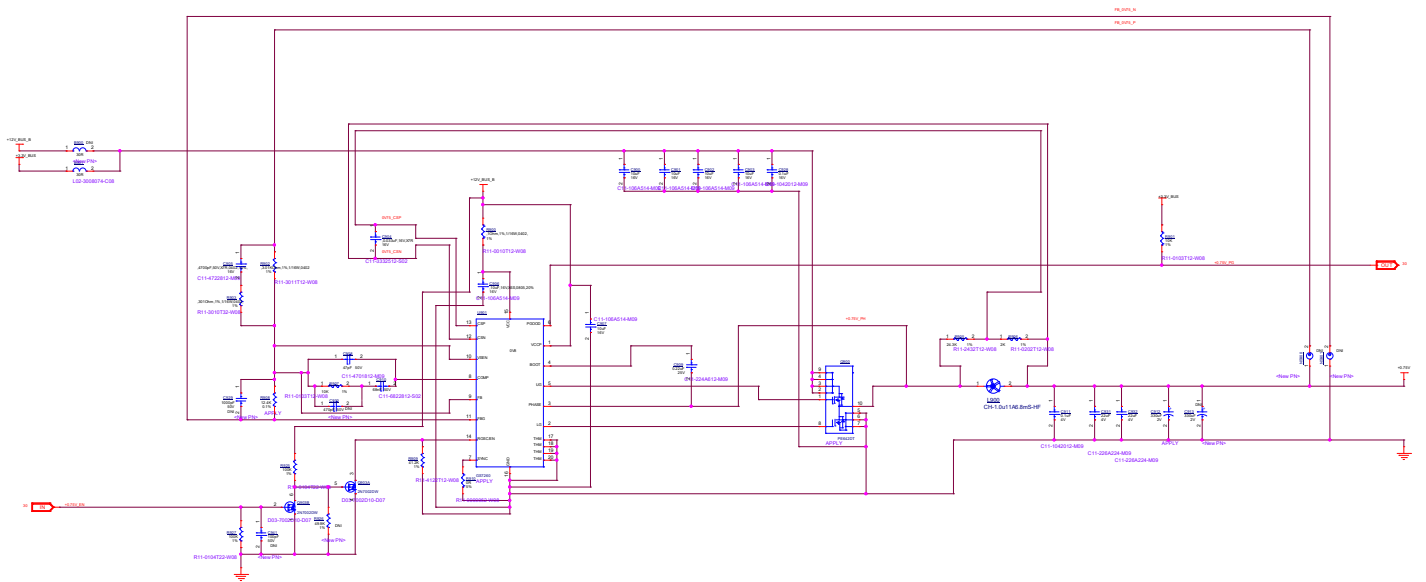


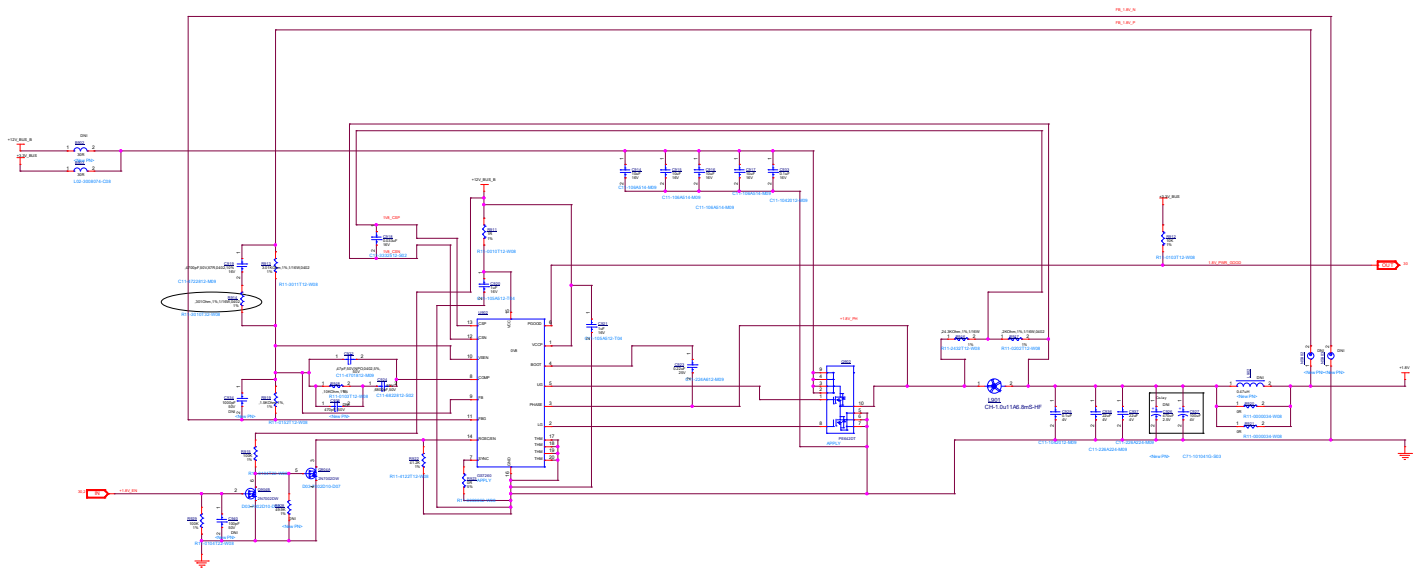




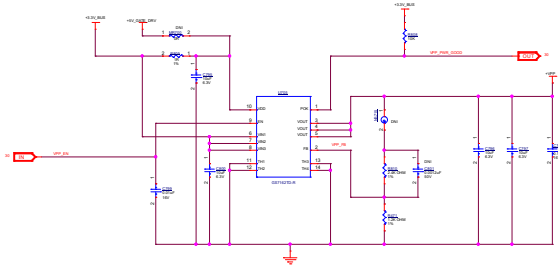
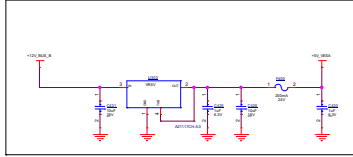


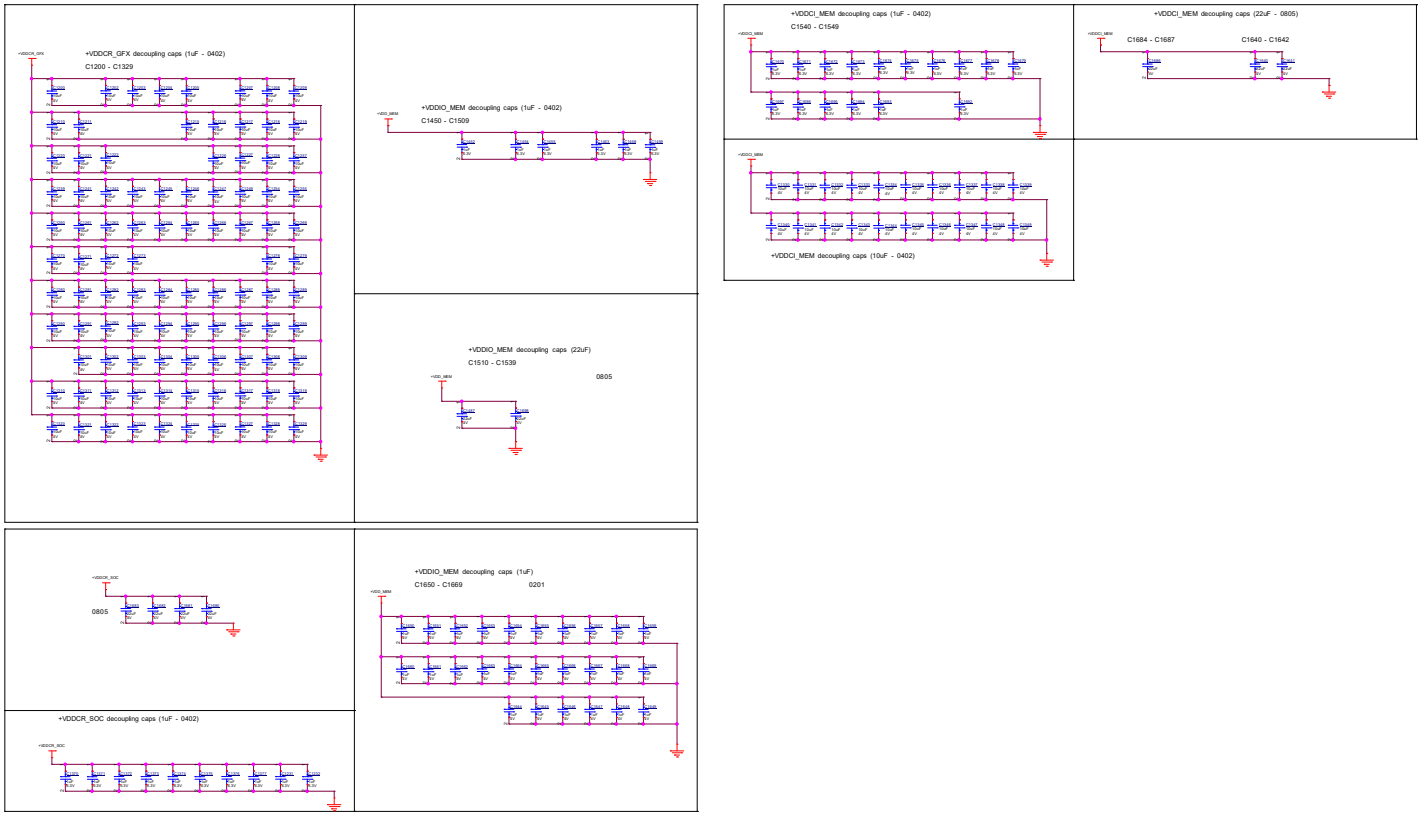


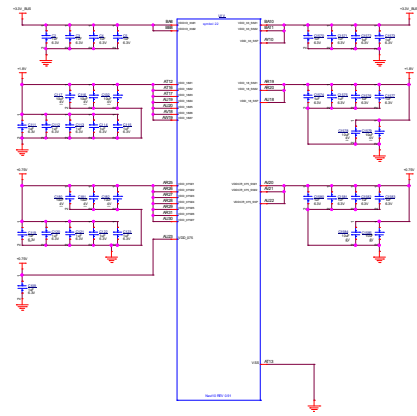
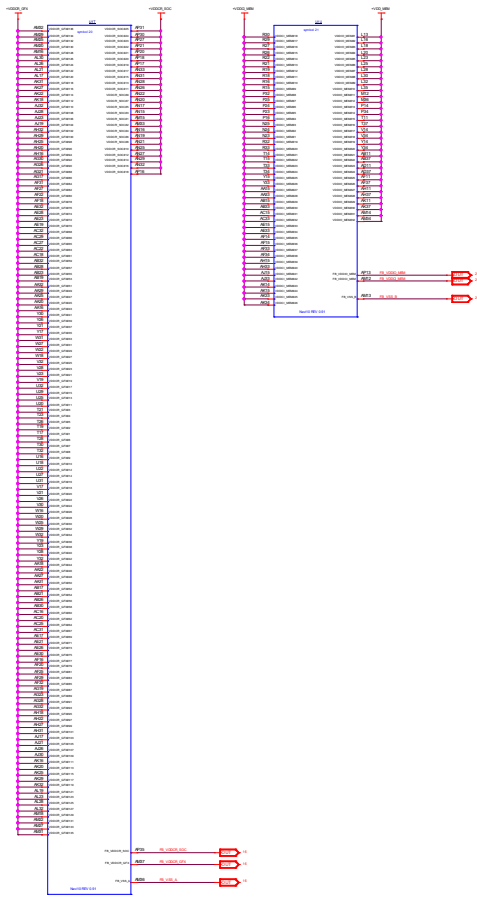




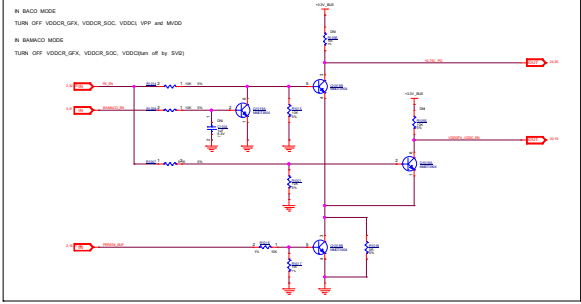
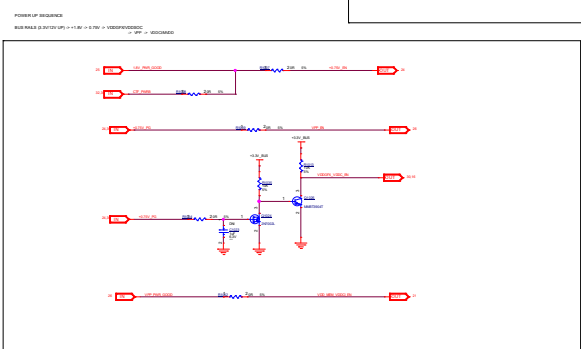
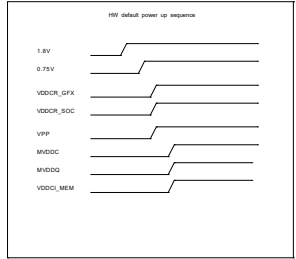
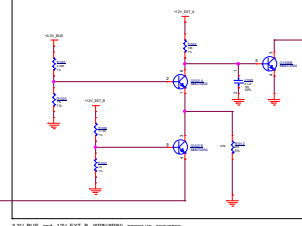
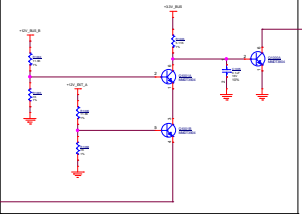
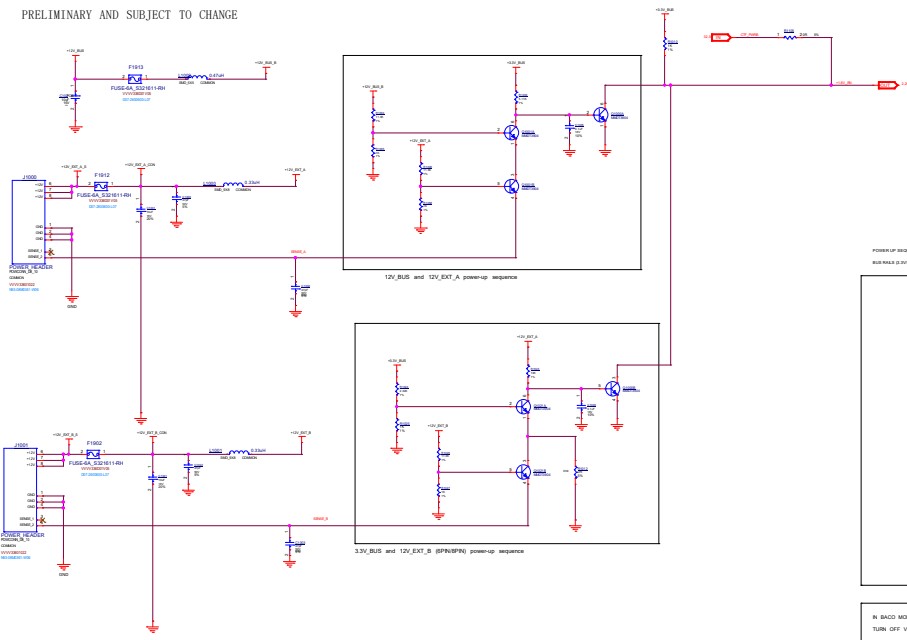
REGULATOR FOR -5V RAILS
I_{OUT} = 50mA

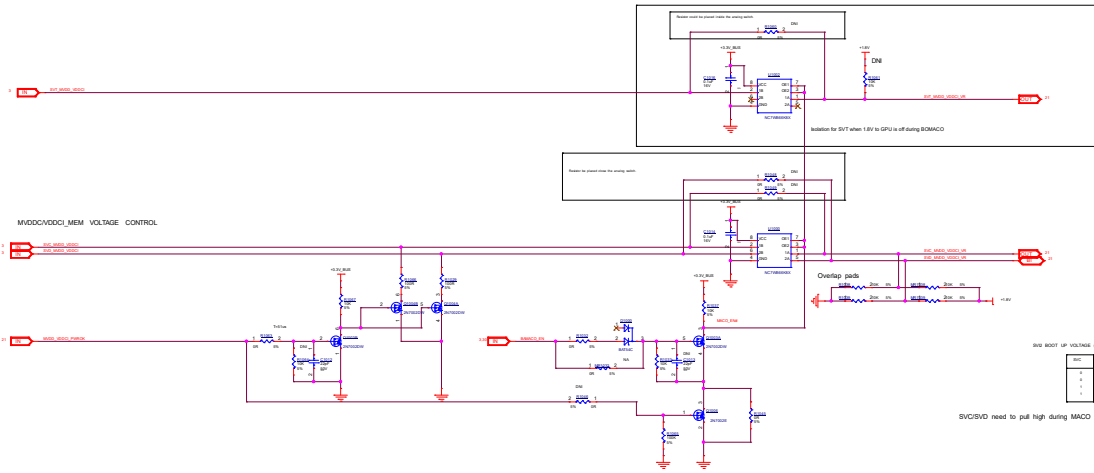


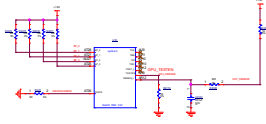






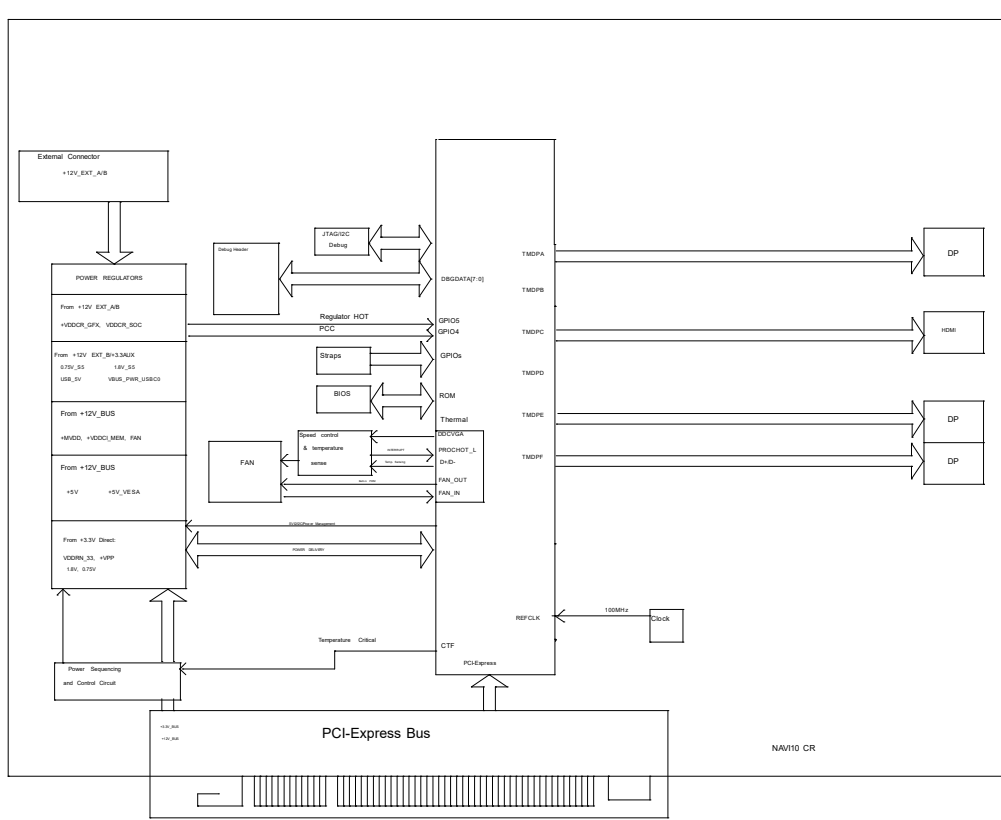


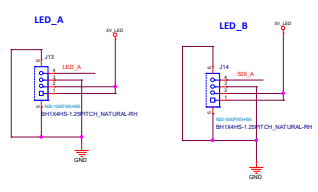
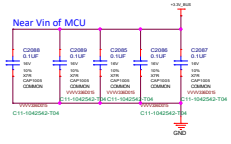
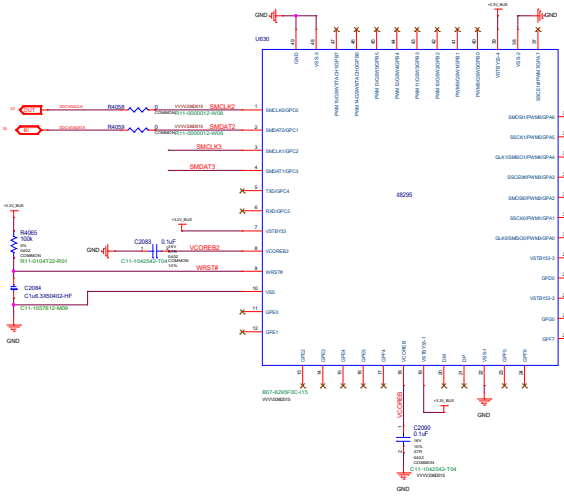
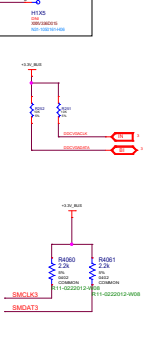
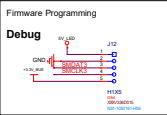




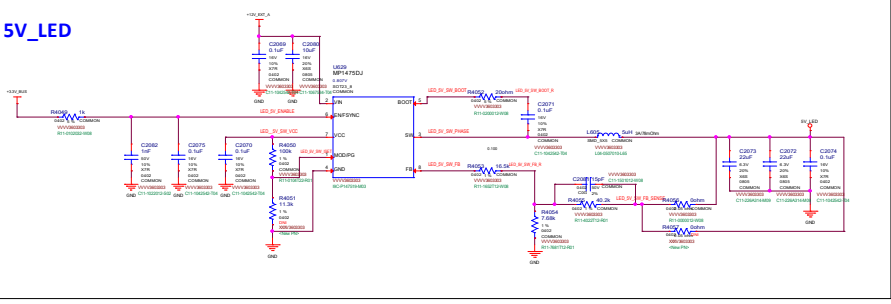
PIC16F877A

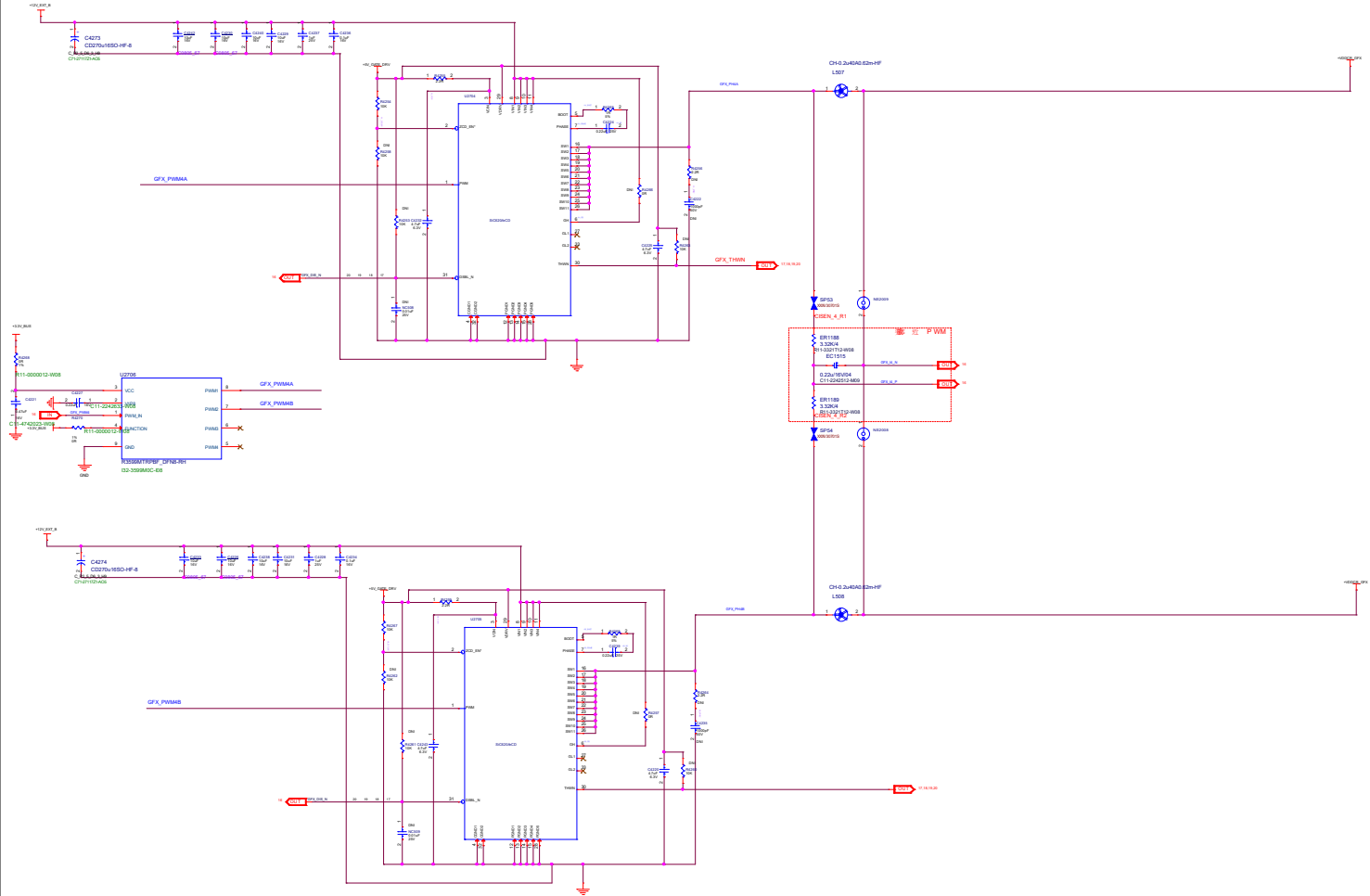


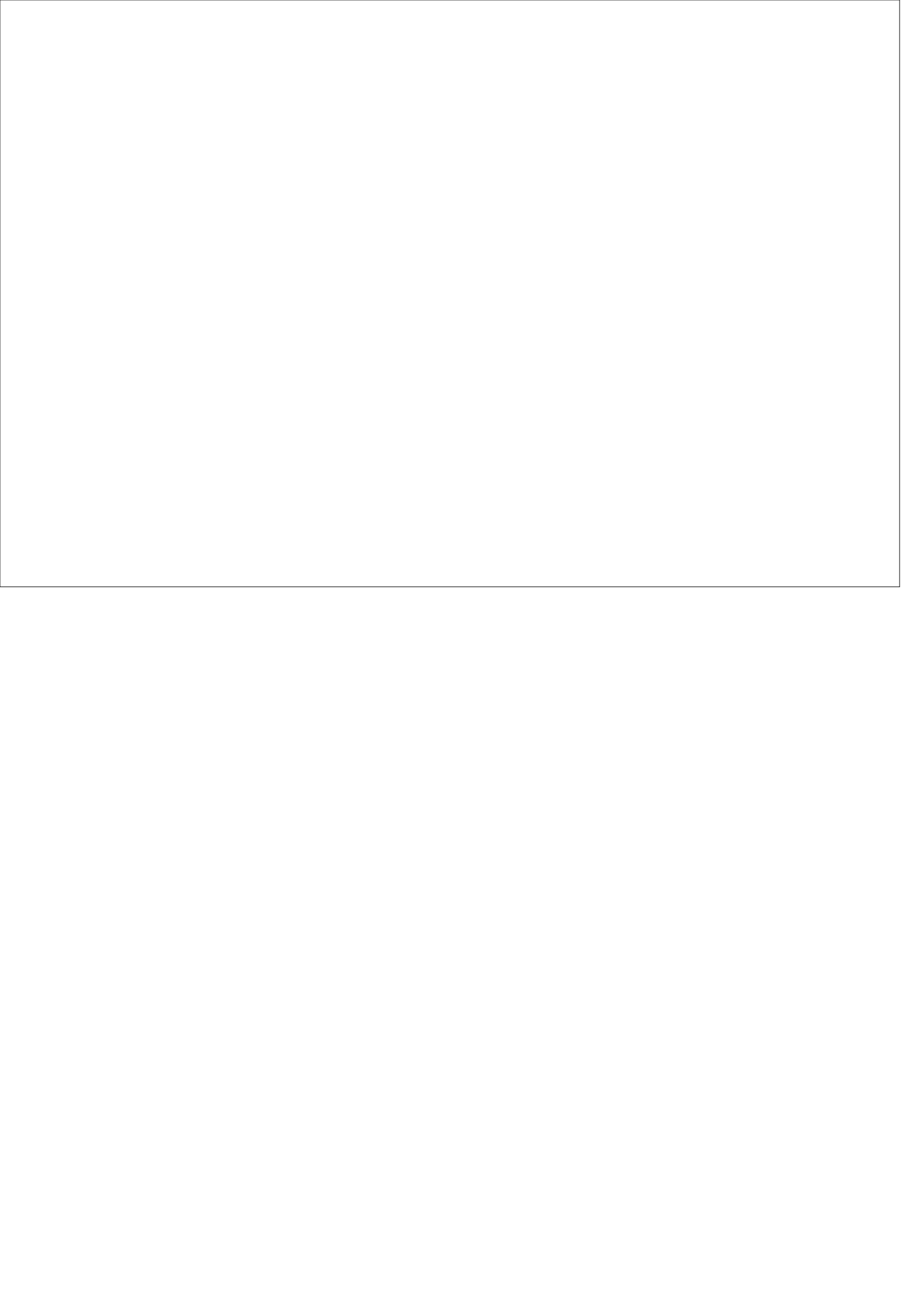


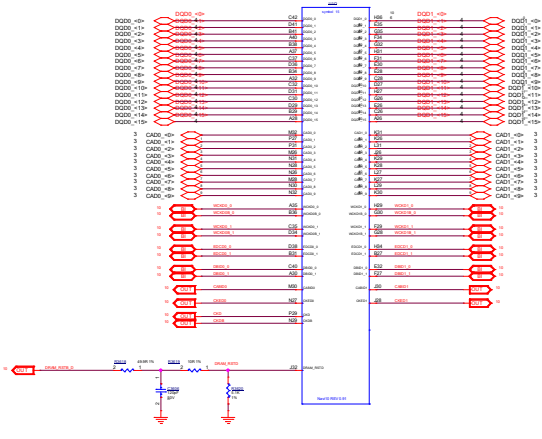
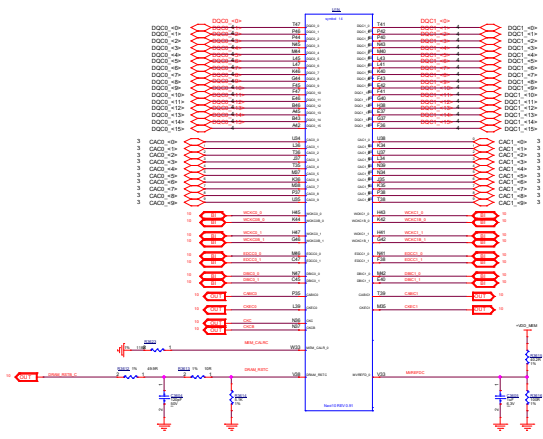


5V_LED

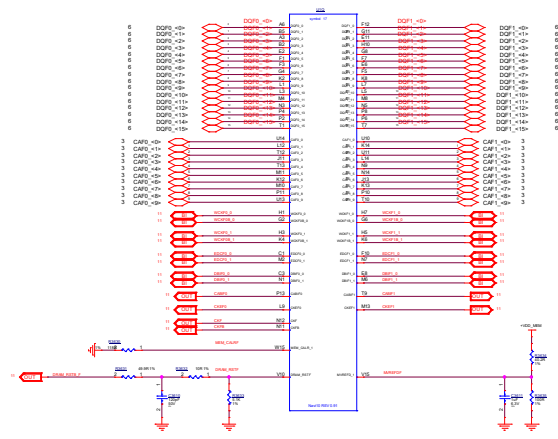
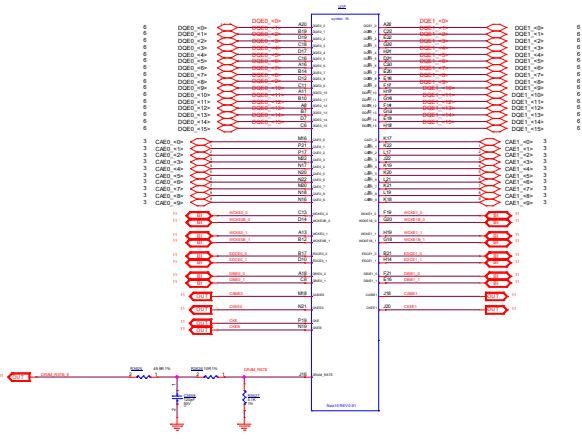




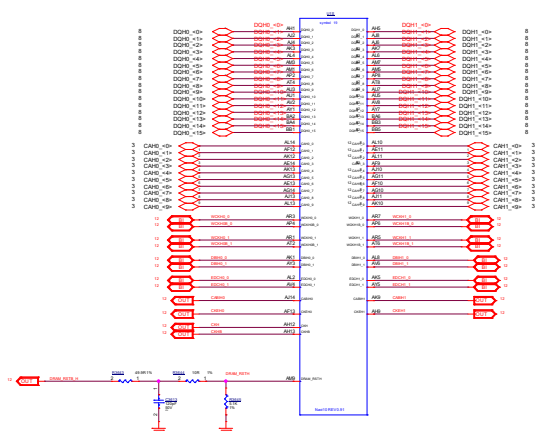
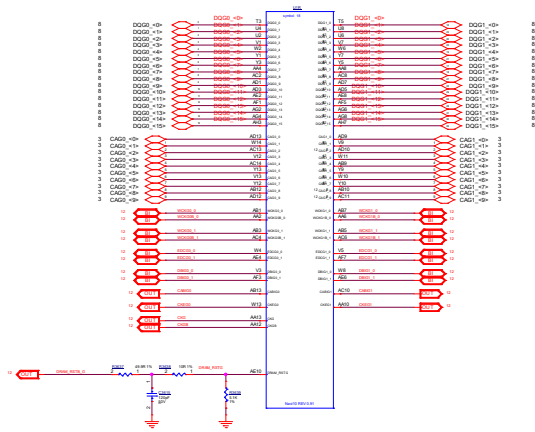




AMD PLATFORM HARDWARE ENG #48, No.1387, ZHANGDONG ROAD SHANGHAI, CHINA 201203			AMD, the AMD logo, Ryzen, Ryzen, the Ryzen logo, and Ryzen Threadripper are either registered trademarks or trademarks of AMD in the United States and other countries. All other trademarks are the property of their respective owners.	
SHEET: NAVI10 MEM C/D			TITLE: NAVI10 Gfx16Mode DP DP HDMI DP	
DATE:	Mon Apr 15 09:57:27 2019	REV:	1.0	
SHEET NUMBER:	6 OF 35			
DOCUMENT NUMBER:	105_0184A_00A			
NOTE:	NOTE			



AMD, PLATFORM HARDWARE ENG #48, No.1387, ZHANGDONG ROAD SHANGHAI CHINA 201203			© AMD All Rights Reserved. AMD, the AMD Logo, Ryzen, Ryzen Threadripper and Ryzen Threadripper Pro are either registered trademarks, trademarks or service marks of AMD in the United States and other countries. All other trademarks are the property of their respective owners.
SHEET NAVI10 MEM05E/F			
DATE: Mar-Apr 16 08:57:37 2019	REV: 1.00		
SHEET NUMBER: 7	OF: 35	TITLE: NAVI10 G6X16Mode DP DP HDMI DP	
DOCUMENT NUMBER: 102_01984_00A			
NOTES: NONE			



AMD - PLATFORM HARDWARE ENG #48, No.1387, ZHANGDONG ROAD SHANGHAI, CHINA 201203		<p>© 2010 Advanced Micro Devices, Inc. All rights reserved. AMD, the AMD logo, and the AMD logo with "AMD" text are trademarks of Advanced Micro Devices, Inc. in the United States and other countries. All other trademarks are the property of their respective owners.</p>
SHEET: NAVI10 MEM CH G/H		
DATE: Mar-Apr 10 09:57:58 2010	REV: 1.00	TITLE: NAVI10 G6X16Mode DP DP HDMI DP
SHEET NUMBER: 8 OF 35		
DOCUMENT NUMBER: 105_01944_00A		
NOTE: NOTE		