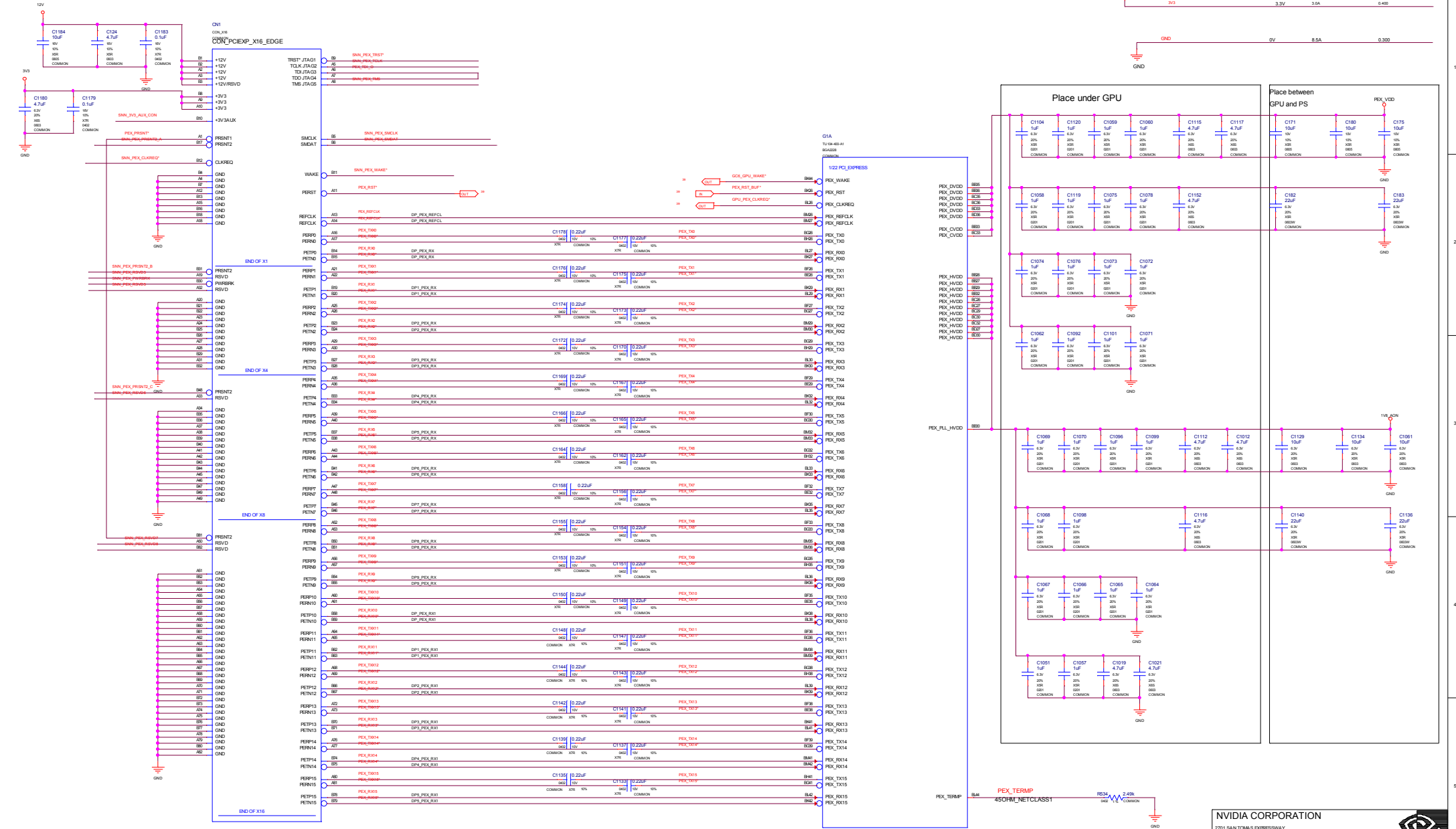


ALL NVIDIA DESIGN SPECIFICATIONS, REFERENCE SPECIFICATIONS, REFERENCE BOARDS, FILES, DRAWINGS, DIAGNOSTICS, LISTS AND OTHER DOCUMENTS OR INFORMATION (TOGETHER AND SEPARATELY, "MATERIALS") ARE BEING PROVIDED "AS IS". THE MATERIALS MAY CONTAIN KNOWN AND UNKNOWN VIOLATIONS OR DEVIATIONS OF INDUSTRY STANDARDS AND SPECIFICATIONS. NVIDIA MAKES NO WARRANTIES, EXPRESSED, IMPLIED, STATUTORY OR OTHERWISE WITH RESPECT TO THE MATERIALS OR OTHERWISE, AND EXPRESSLY DISCLAIMS ALL IMPLIED WARRANTIES INCLUDING, WITHOUT LIMITATION, THE WARRANTIES OF DESIGN, OF NON-INFRINGEMENT, MERCHANTABILITY OR FITNESS FOR A PARTICULAR PURPOSE, OR ARISING FROM A COURSE OF DEALING, TRADE USAGE, TRADE PRACTICE, OR INDUSTRY STANDARDS.

ASSEMBLY	ASSEMBLY DESCRIPTION
PAGE DETAIL	Block Diagram

NVIDIA CORPORATION			
2701 SAN TOMAS EXPRESSWAY			
SANTA CLARA, CA 95050, USA			
NV_PN	600-1G161-BASE-200	PAGE	2 OF 42
PCB REV	PG161-B00	DATE	06-DEC-2018
BCM REV	A		



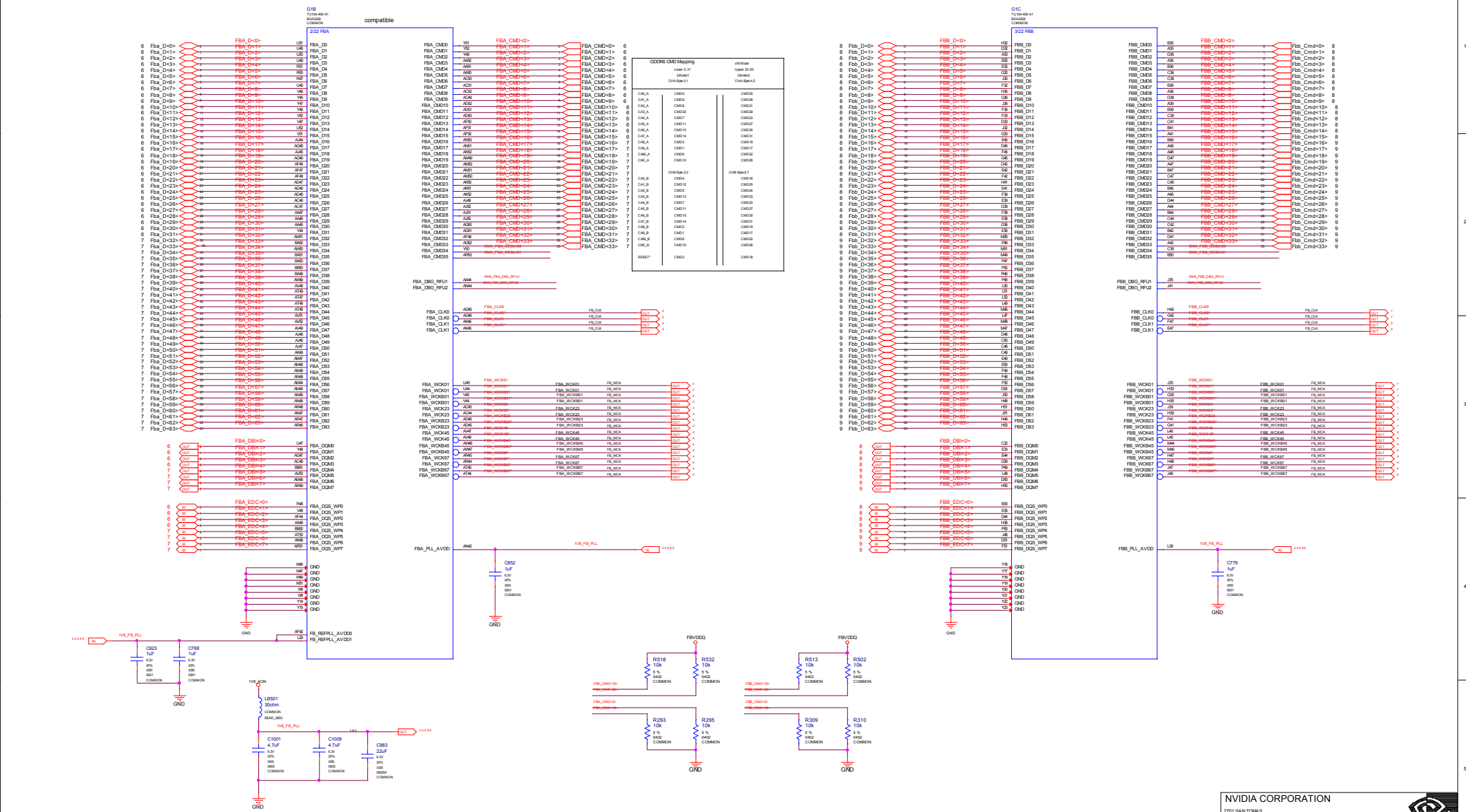


ALL NVIDIA DESIGN SPECIFICATIONS, REFERENCE BOARDS, FILES, DRAWINGS, DIAGNOSTICS, LISTS AND OTHER DOCUMENTS OR INFORMATION (TOGETHER AND SEPARATELY, "MATERIALS") ARE BEING PROVIDED AS IS. THE MATERIALS MAY CONTAIN KNOWN AND UNKNOWN VIOLATIONS OR DEVIATIONS OF INDUSTRY STANDARDS AND SPECIFICATIONS. NVIDIA MAKES NO WARRANTIES, EXPRESSED, IMPLIED, STATUTORY OR OTHERWISE WITH RESPECT TO THE MATERIALS OR OTHERWISE, AND EXPRESSLY DISCLAIMS ALL IMPLIED WARRANTIES INCLUDING, WITHOUT LIMITATION, THE WARRANTIES OF DESIGN, NON-INFRINGEMENT, MERCHANTABILITY OR FITNESS FOR A PARTICULAR PURPOSE, OR ARISING FROM A COURSE OF DEALING, TRADE USAGE, TRADE PRACTICE, OR INDUSTRY STANDARDS.

ASSEMBLY	ASSEMBLY DESCRIPTION
PAGE DETAIL	PCI Express

<b>NVIDIA CORPORATION</b>			
2701 SAN TOMAS EXPRESSWAY			
SANTA CLARA, CA 95050, USA			
<b>600-1G161-BASE-200</b>		PAGE	3 OF 42
PCB REV	A	DATE	06-DEC-2018





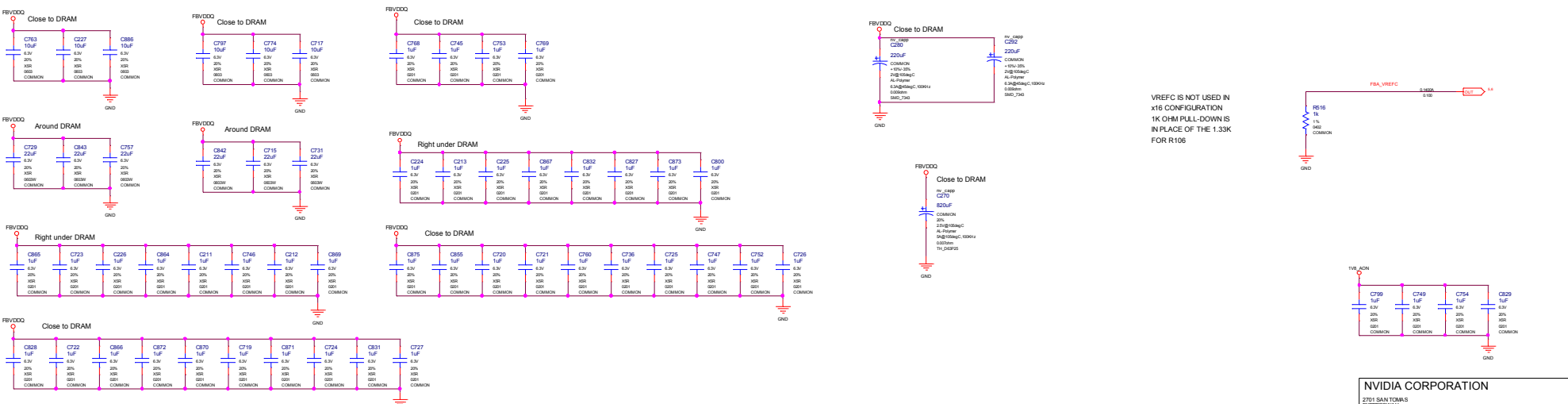
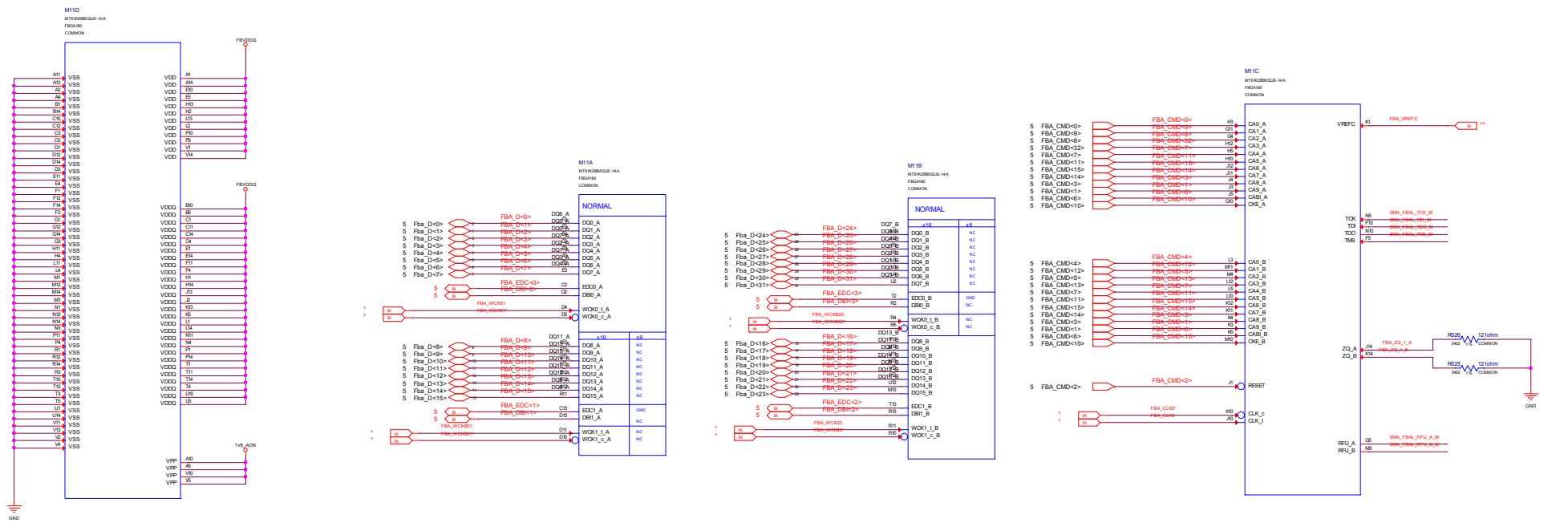
ALL NVIDIA DESIGN SPECIFICATIONS, REFERENCE SPECIFICATIONS, REFERENCE BOARDS, FILES, DRAWINGS, DIAGNOSTICS, LISTS AND OTHER DOCUMENTS OR INFORMATION (TOGETHER AND SEPARATELY, "MATERIALS") ARE BEING PROVIDED AS IS. THE MATERIALS CONTAIN KNOWN AND UNKNOWN VIOLATIONS OR DEVIATIONS OF INDUSTRY STANDARDS AND SPECIFICATIONS. NVIDIA MAKES NO WARRANTIES, EXPRESSED, IMPLIED, STATUTORY OR OTHERWISE WITH RESPECT TO THE MATERIALS AND EXPRESSLY DISCLAIMS ALL WARRANTIES INCLUDING, WITHOUT LIMITATION, THE WARRANTIES OF DESIGN, NON-INFRINGEMENT, MERCHANTABILITY OR FITNESS FOR A PARTICULAR PURPOSE, OR ARISING FROM A COURSE OF DEALING, TRADE USAGE, TRADE PRACTICE, OR INDUSTRY STANDARDS.

ASSEMBLY DESCRIPTION	MEMORY: GPU F1A/B
PAGE DETAIL	

**NVIDIA CORPORATION**  
 2701 SAN TOMAS EXPRESSWAY  
 SANTA CLARA, CA 95050-USA

**nv\_pn** 600-1G161-BASE-200

PCB REV	PG161-800	PAGE	4 OF 42
BCM REV	A	DATE	06-DEC-2018

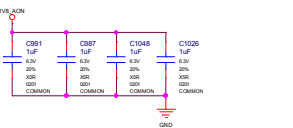
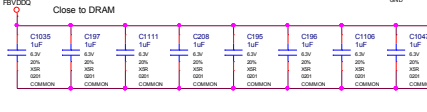
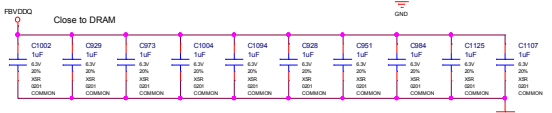
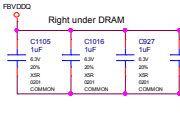
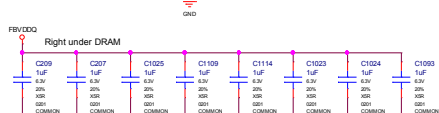
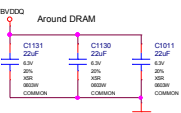
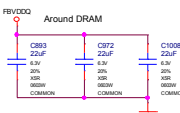
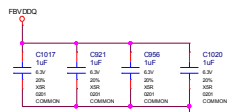
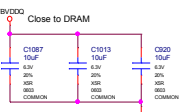
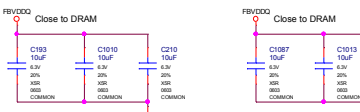
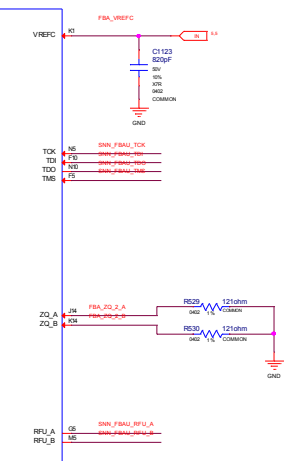
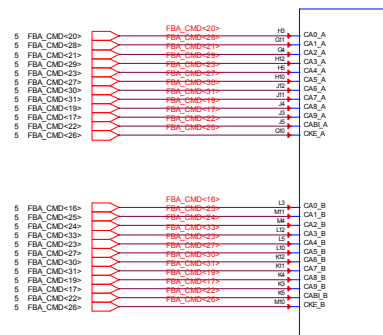
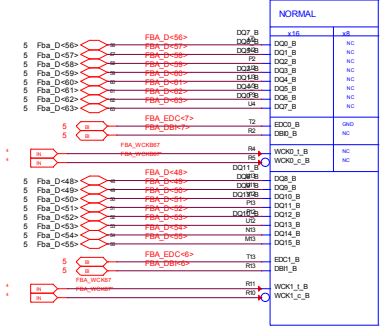
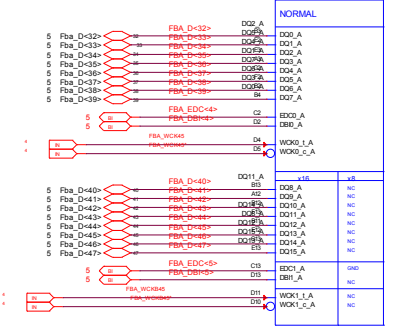
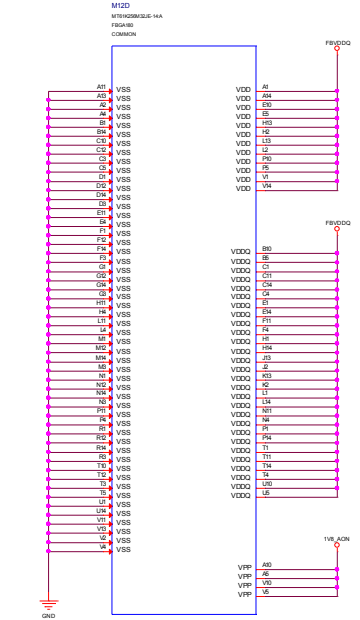


VREFC IS NOT USED IN x16 CONFIGURATION IN PLACE OF THE 1.33K FOR R106

ASSEMBLY	"ASSEMBLY DESCRIPTION"	NVIDIA CORPORATION 3701 SAN TOMEAS EXPRESSWAY SANTA CLARA, CA 95050, USA	NVIDIA CORPORATION 3701 SAN TOMEAS EXPRESSWAY SANTA CLARA, CA 95050, USA
PAGE DETAIL	MEMORY: FBA[31:0]		
NV_PN	600-1G161-BASE-200	PCB REV	PG161-B00
BOM REV	A	DATE	06-DEC-2016

ALL NVIDIA DESIGN SPECIFICATIONS, REFERENCE SPECIFICATIONS, REFERENCE BOARDS, FILES, DRAWINGS, DIAGNOSTICS, LISTS AND OTHER DOCUMENTS (TOGETHER AND SEPARATELY, "MATERIALS") ARE BEING PROVIDED "AS IS." THE MATERIALS ARE PROVIDED WITHOUT WARRANTY OF ANY KIND, EITHER EXPRESS OR IMPLIED, INCLUDING BUT NOT LIMITED TO, THE WARRANTIES OF DESIGN, MERCHANTABILITY OR FITNESS FOR A PARTICULAR PURPOSE, OR ARISING FROM A COURSE OF DEALING, TRADE USAGE, TRADE PRACTICE, OR INDUSTRY CUSTOM.





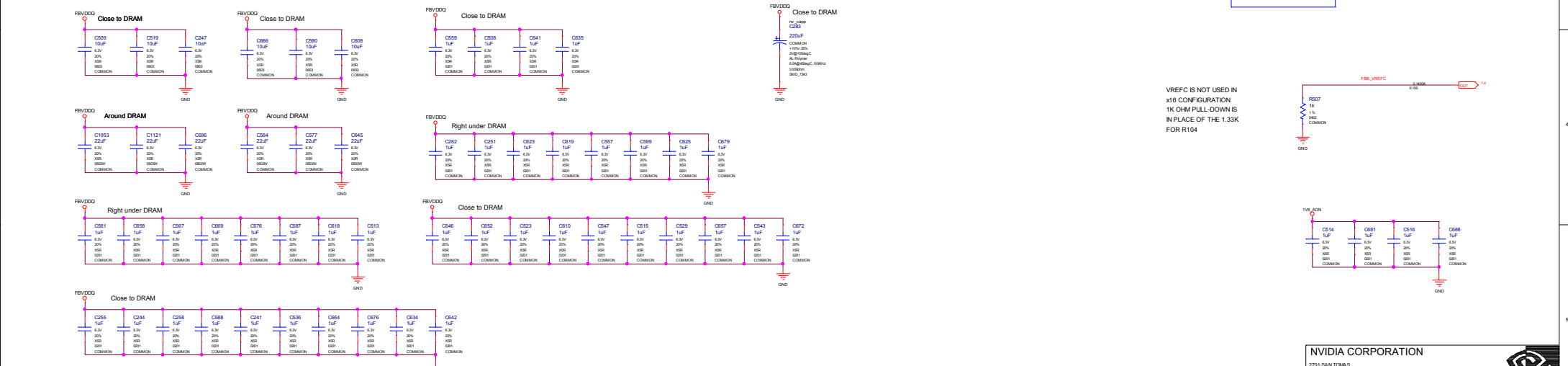
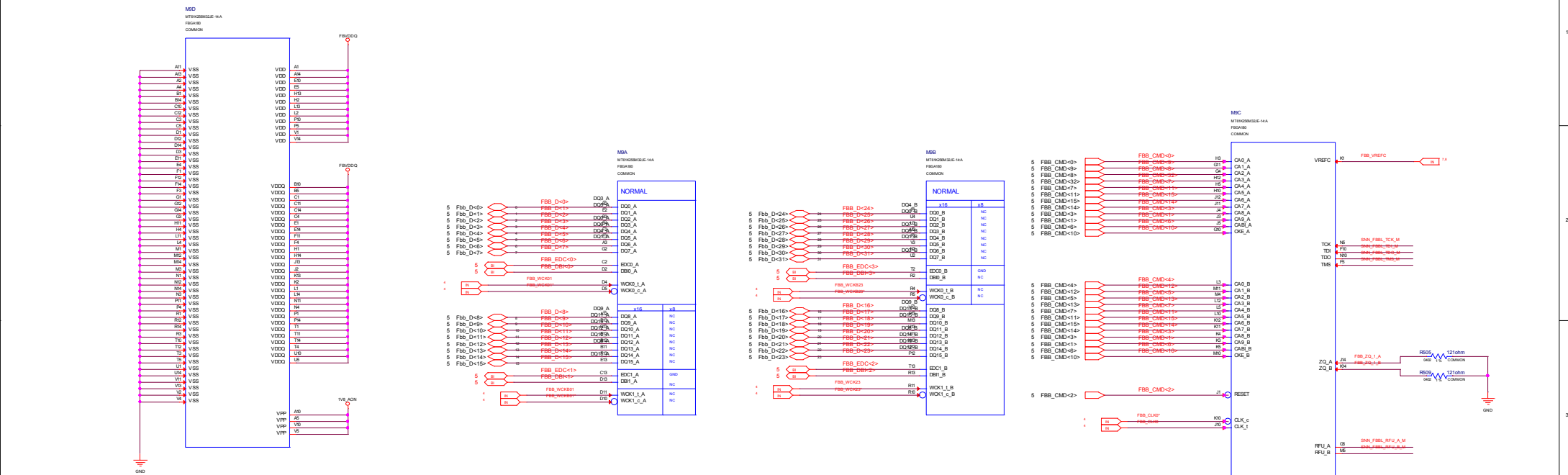
ALL NVIDIA DESIGN SPECIFICATIONS, REFERENCE SPECIFICATIONS, REFERENCE BOARDS, FILES, DRAWINGS, DIAGNOSTICS, LISTS AND OTHER DOCUMENTS OR INFORMATION (TOGETHER AND SEPARATELY, "MATERIALS") ARE BEING PROVIDED AS IS. THE MATERIALS CONTAIN KNOWN AND UNKNOWN VIOLATIONS OR DEVIATIONS OF INDUSTRY STANDARDS AND SPECIFICATIONS. NVIDIA MAKES NO WARRANTIES, EXPRESSED, IMPLIED, STATUTORY OR OTHERWISE WITH RESPECT TO THE MATERIALS OR OTHERWISE, AND EXPRESSLY DISCLAIMS ALL WARRANTIES INCLUDING, WITHOUT LIMITATION, THE WARRANTIES OF DESIGN, NON-INFRINGEMENT, MERCHANTABILITY OR FITNESS FOR A PARTICULAR PURPOSE, OR ARISING FROM A COURSE OF DEALING, TRADE USAGE, TRADE PRACTICE, OR INDUSTRY STANDARDS.

ASSEMBLY	ASSEMBLY DESCRIPTION
PAGE DETAIL	MEMORY: FBA(63..32)

NVIDIA CORPORATION  
 2701 SAN TOMAS EXPRESSWAY  
 SANTA CLARA, CA 95050, USA

INV\_PN: 600-1G161-BASE-200

PCB REV	PG161-800	PAGE	6 OF 42
BCM REV	A	DATE	06-DEC-2018




VREFC IS NOT USED IN x16 CONFIGURATION IN PLACE OF THE 1.33K FOR R104

ASSEMBLY	ASSEMBLY DESCRIPTION
PAGE DETAIL	MEMORY: FB8131.0

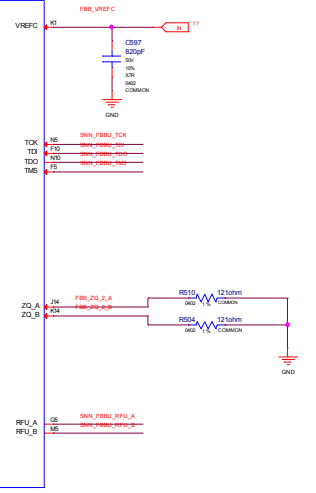
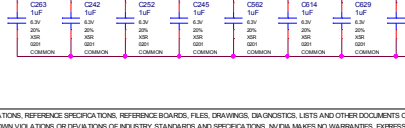
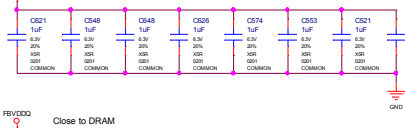
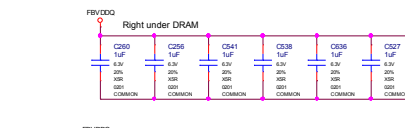
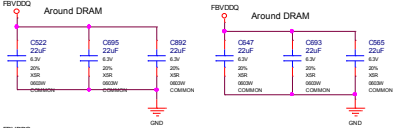
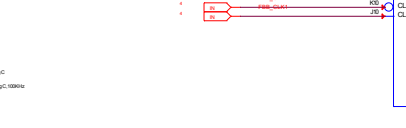
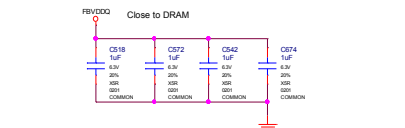
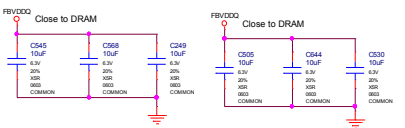
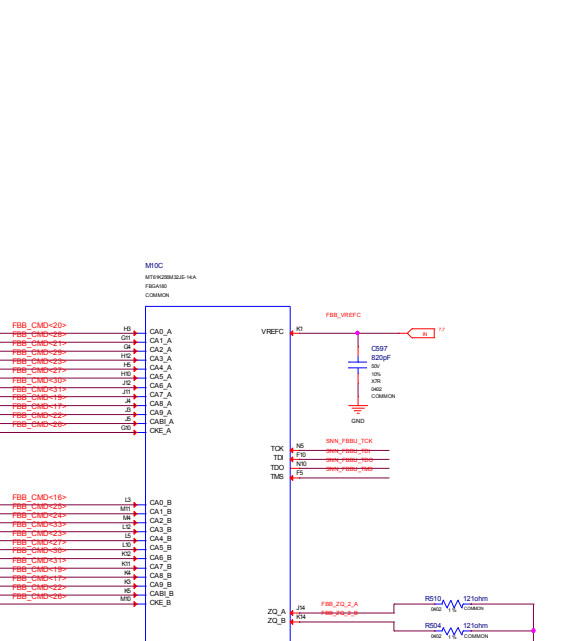
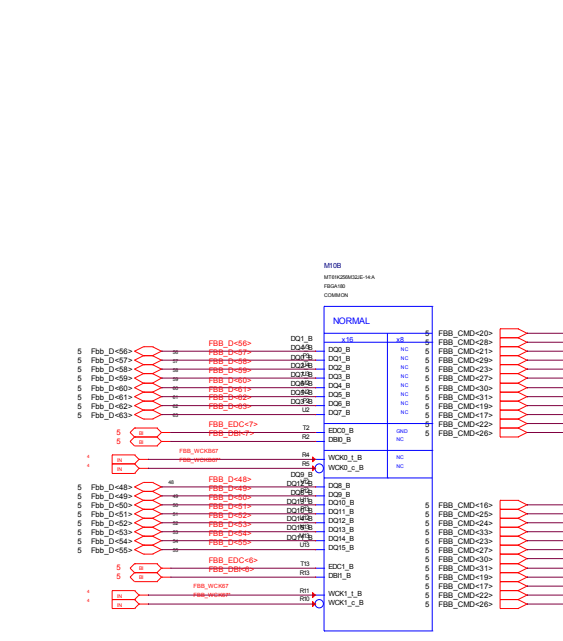
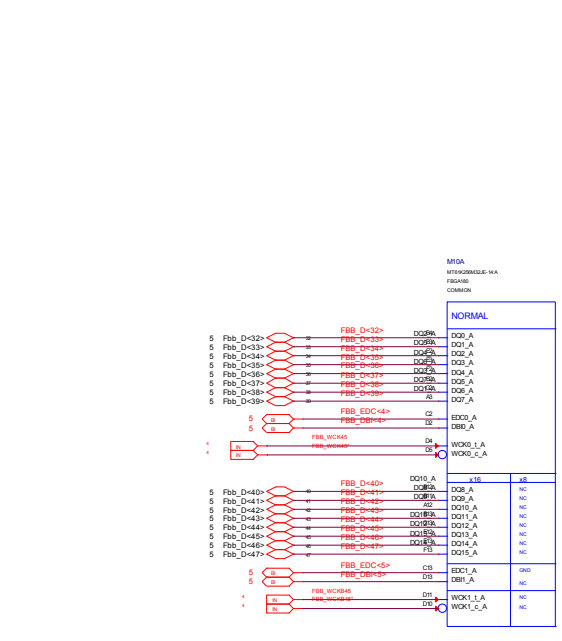
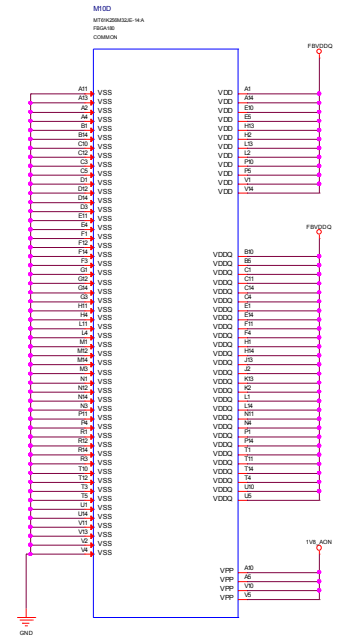
ALL NVIDIA DESIGN SPECIFICATIONS, REFERENCE BOARDS, FILES, DRAWINGS, DIAGNOSTICS, LISTS AND OTHER DOCUMENTS (TOGETHER AND SEPARATELY, "MATERIALS") ARE BEING PROVIDED AS IS. THE MATERIALS MAY CONTAIN KNOWN AND UNKNOWN VIOLATIONS OR DEVIATIONS OF INDUSTRY STANDARDS AND SPECIFICATIONS. NVIDIA MAKES NO WARRANTIES, EXPRESSED, IMPLIED, STATUTORY OR OTHERWISE WITH RESPECT TO THE MATERIALS AND HEREBY DISCLAIMS ALL WARRANTIES INCLUDING, WITHOUT LIMITATION, THE WARRANTIES OF DESIGN, NON-INFRINGEMENT, MERCHANTABILITY OR FITNESS FOR A PARTICULAR PURPOSE, OR ARISING FROM A COURSE OF DEALING, TRADE USAGE, TRADE PRACTICE, OR INDUSTRY STANDARDS.

**NVIDIA CORPORATION**  
 2701 SAN TOMAS EXPRESSWAY  
 SANTA CLARA, CA 95050 USA



INV\_PN: **600-1G161-BASE-200**

PCB REV: PG161-800	PAGE: 7 OF 42
BCM REV: A	DATE: 06-DEC-2018

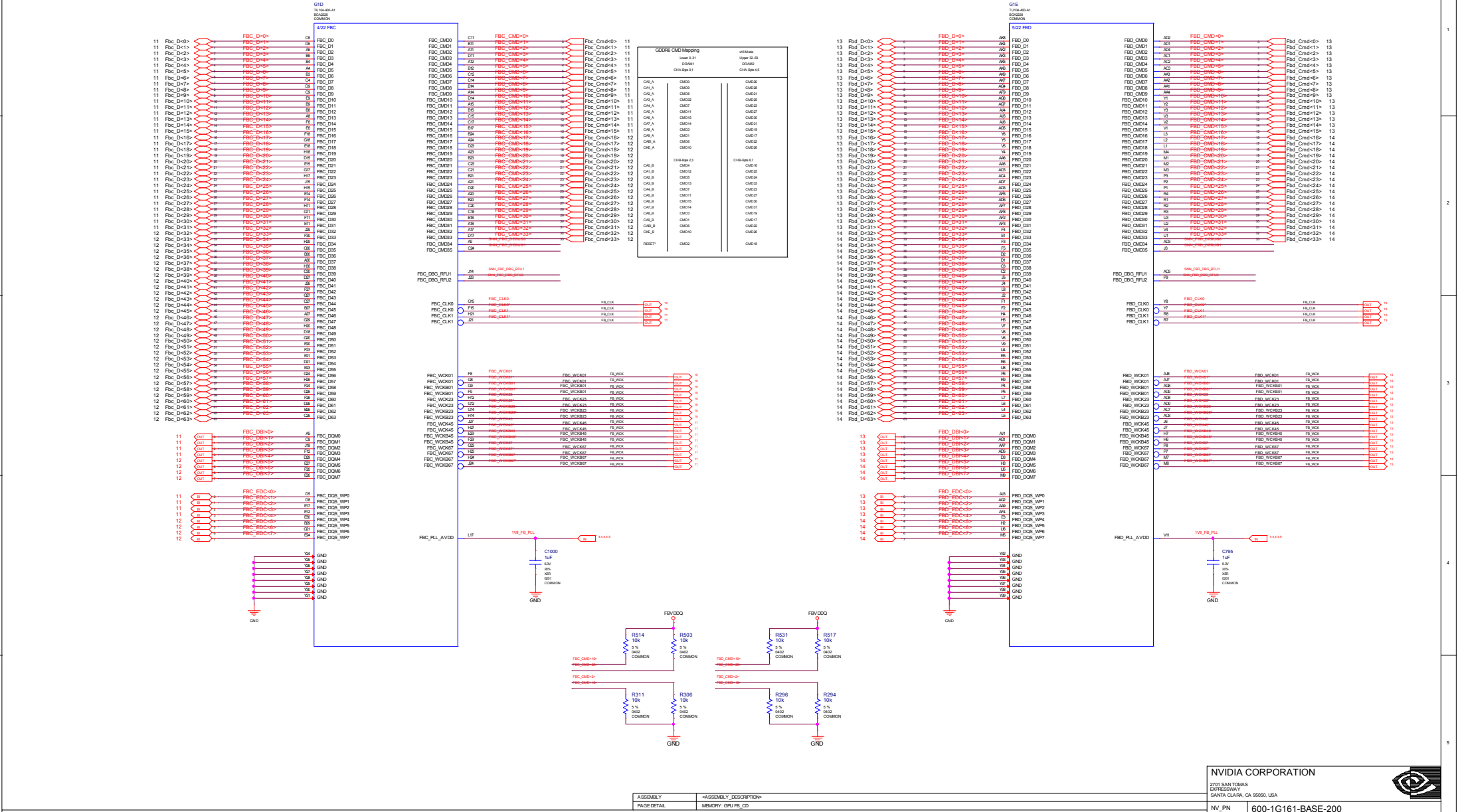


ALL NVIDIA DESIGN SPECIFICATIONS, REFERENCE SPECIFICATIONS, REFERENCE BOARDS, FILES, DRAWINGS, DIAGNOSTICS, LISTS AND OTHER DOCUMENTS (TOGETHER AND SEPARATELY, "MATERIALS") ARE BEING PROVIDED AS IS. THE MATERIALS... CONTAIN KNOWN AND UNKNOWN VIOLATIONS OR DEVIATIONS OF INDUSTRY STANDARDS AND SPECIFICATIONS. NVIDIA MAKES NO WARRANTIES, EXPRESSED, IMPLIED, STATUTORY OR OTHERWISE WITH RESPECT TO THE MATERIALS OR OTHERWISE DISCLAIMS... WARRANTIES INCLUDING, WITHOUT LIMITATION, THE WARRANTIES OF DESIGN, NON-INFRINGEMENT, MERCHANTABILITY OR FITNESS FOR A PARTICULAR PURPOSE, OR ARISING FROM A COURSE OF DEALING, TRADE USAGE, TRADE PRACTICE, OR INDUSTRY STANDARDS.

Table with 2 columns: ASSEMBLY, PART DESCRIPTION and PAGE DETAIL, MEMORY: FBB63..32

NVIDIA CORPORATION logo and address: 2701 SAN TOMAS EXPRESSWAY, SANTA CLARA, CA 95050, USA. Part number: 600-1G161-BASE-200. PCB REV: PG161-B00. PAGE: 8 OF 42. DATE: 06-DEC-2018.





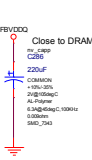
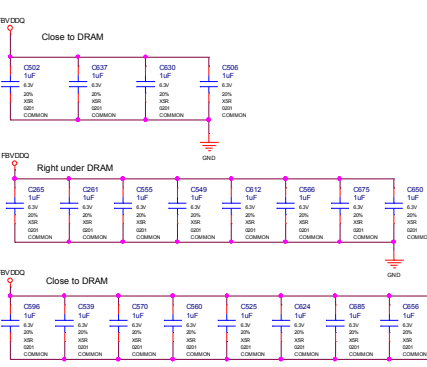
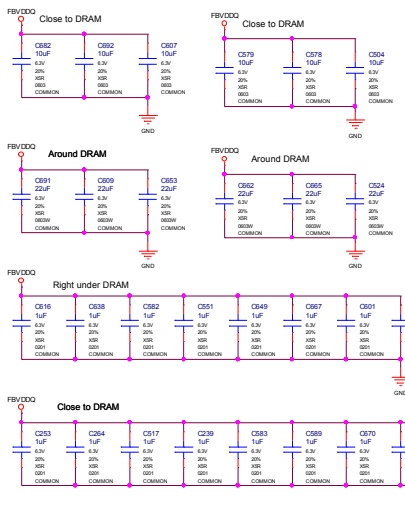
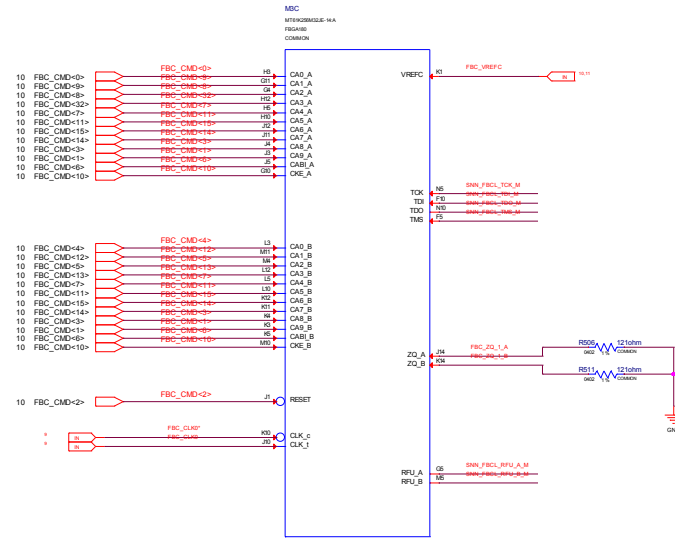
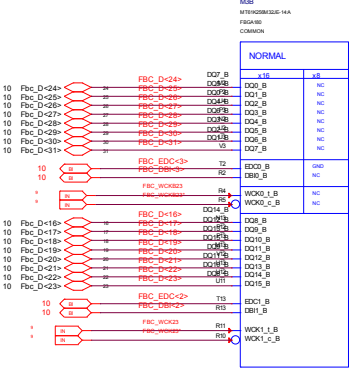
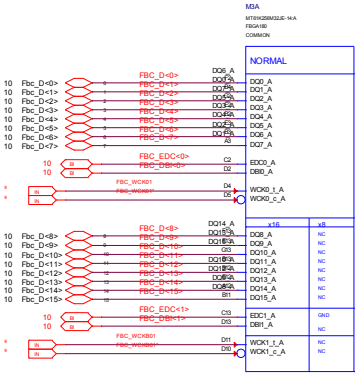
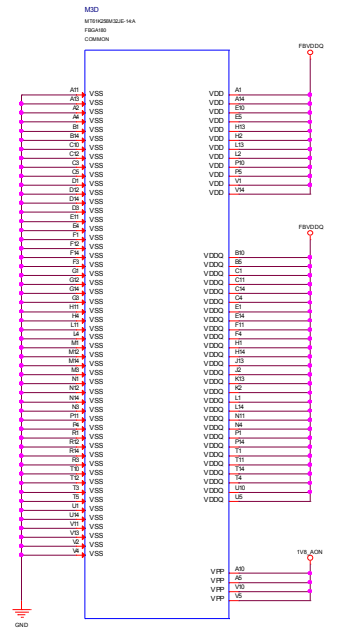
NVIDIA CORPORATION  
 2701 SAN TOMAS EXPRESSWAY  
 SANTA CLARA, CA 95050, USA

ASSEMBLY	ASSEMBLY DESCRIPTION
PAGE: 01/04	MEMORY: GPU FB_CD

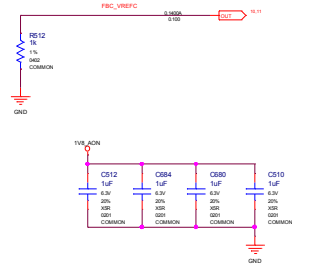
PN: NPN  
 PCB REV: P0161-000  
 BOM REV: A

800-1G161-BASE-200  
 PAGE: 9 OF 42  
 DATE: 06/DEC/2018

ALL NVIDIA DESIGN SPECIFICATIONS, REFERENCE SPECIFICATIONS, REFERENCE BOARDS, FILES, DRAWINGS, DIAGNOSTICS, LISTS AND OTHER DOCUMENTS OR INFORMATION (TOGETHER AND SEPARATELY, "MATERIALS") ARE BEING PROVIDED "AS IS". THE MATERIALS CONTAIN KNOWN AND UNKNOWN VIOLATIONS OR DEVIATIONS OF INDUSTRY STANDARDS AND SPECIFICATIONS. NVIDIA MAKES NO WARRANTIES, EXPRESSED, IMPLIED, STATUTORY OR OTHERWISE, WITH RESPECT TO THE MATERIALS OR OTHERWISE, AND EXPRESSLY DISCLAIMS ALL IMPLIED WARRANTIES INCLUDING, WITHOUT LIMITATION, THE WARRANTIES OF DESIGN, OF NON-INFRINGEMENT, MERCHANTABILITY OR FITNESS FOR A PARTICULAR PURPOSE, OR ARISING FROM A COURSE OF DEALING, TRADE USAGE, TRADE PRACTICE OR INDUSTRY STANDARDS.



VREFC IS NOT USED IN x16 CONFIGURATION  
1K OHM PULL-DOWN IS IN PLACE OF THE 1.33K FOR R75



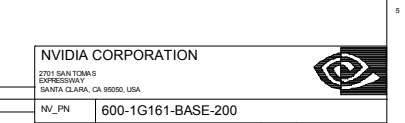
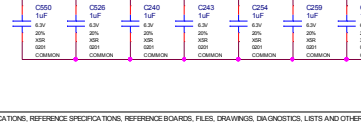
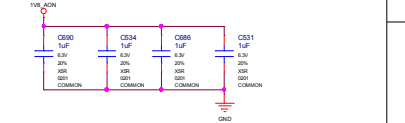
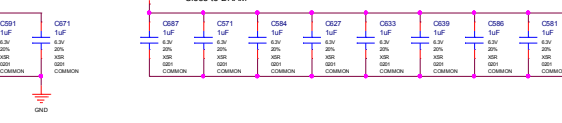
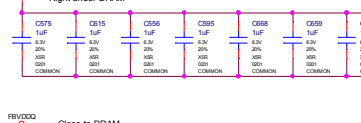
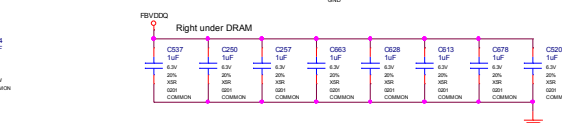
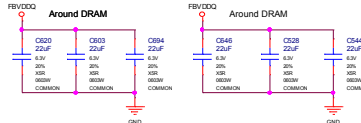
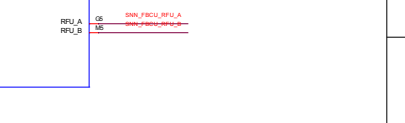
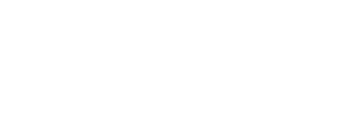
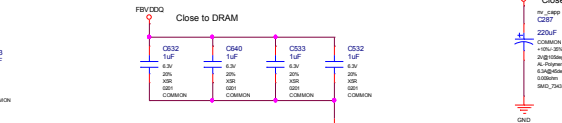
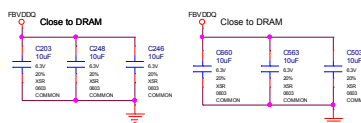
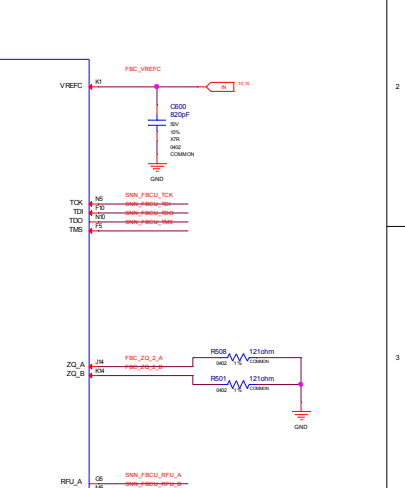
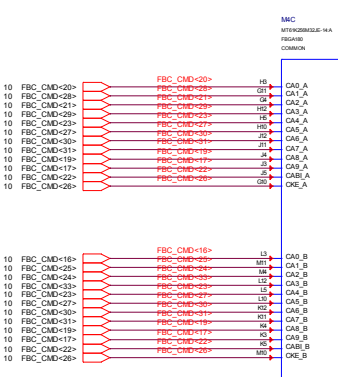
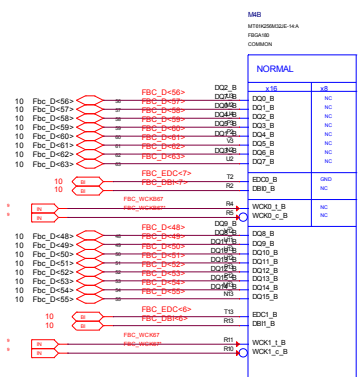
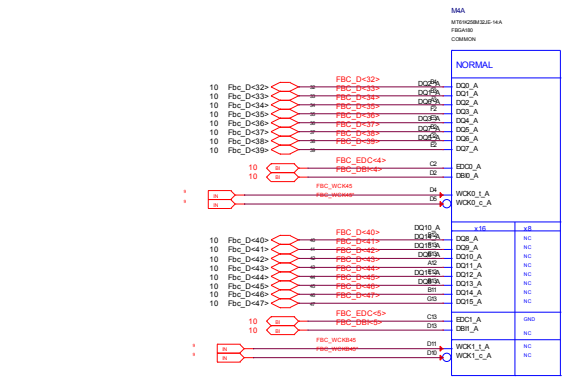
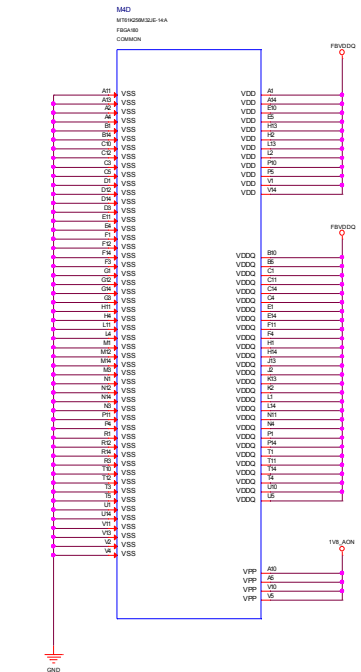
ALL NVIDIA DESIGN SPECIFICATIONS, REFERENCE BOARDS, FILES, DRAWINGS, DIAGNOSTIC LISTS AND OTHER DOCUMENTS OR INFORMATION (TOGETHER AND SEPARATELY, "MATERIALS") ARE BEING PROVIDED "AS IS". THE MATERIALS CONTAIN KNOWN AND UNKNOWN VIOLATIONS OR DEVIATIONS OF INDUSTRY STANDARDS AND SPECIFICATIONS. NVIDIA MAKES NO WARRANTIES, EXPRESSED, IMPLIED, STATUTORY OR OTHERWISE WITH RESPECT TO THE MATERIALS OR OTHERWISE, AND EXPRESSLY DISCLAIMS ALL WARRANTIES INCLUDING, WITHOUT LIMITATION, THE WARRANTIES OF DESIGN, NON-INFRINGEMENT, MERCHANTABILITY OR FITNESS FOR A PARTICULAR PURPOSE, OR ARISING FROM A COURSE OF DEALING, TRADE USAGE, TRADE PRACTICE OR INDUSTRY STANDARD.

ASSEMBLY	ASSEMBLY DESCRIPTION
PAGE:010A	MEMORY: FBC[31:0]

NVIDIA CORPORATION  
2701 SAN TOMAS EXPRESSWAY  
SANTA CLARA, CA 95050, USA

NV\_PN 600-1G161-BASE-200

PCB REV PG161-600 PAGE 10 OF 42  
BOM REV A DATE 06/DEC/2018



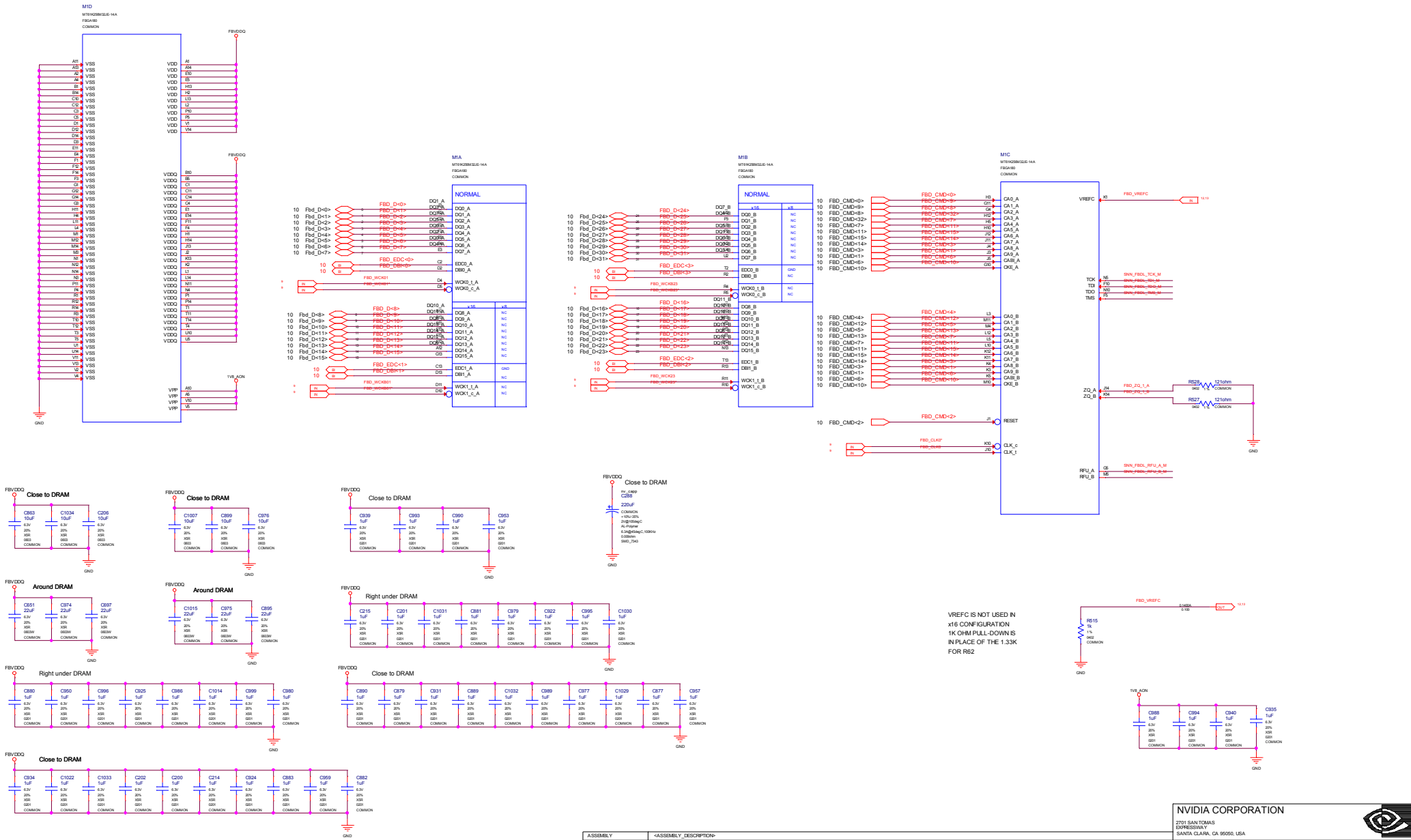
ALL NVIDIA DESIGN SPECIFICATIONS, REFERENCE BOARDS, FILES, DRAWINGS, DIAGNOSTICS, LISTS AND OTHER DOCUMENTS (TOGETHER AND SEPARATELY, "MATERIALS") ARE BEING PROVIDED AS IS. THE MATERIALS ARE PROVIDED WITHOUT WARRANTY OF ANY KIND, EXPRESS OR IMPLIED, STATUTORY OR OTHERWISE WITH RESPECT TO THE MATERIALS OR OTHERWISE, AND EXPRESSLY DISCLAIMS NVIDIA'S WARRANTIES INCLUDING, WITHOUT LIMITATION, THE WARRANTIES OF DESIGN, NON-INFRINGEMENT, MERCHANTABILITY OR FITNESS FOR A PARTICULAR PURPOSE, OR ARISING FROM A COURSE OF DEALING, TRADE USAGE, TRADE PRACTICE OR INDUSTRY STANDARDS.

ASSEMBLY	ASSEMBLY DESCRIPTION
PAGE DETAIL	MEMORY: FBQ03.32

NVIDIA CORPORATION  
 2701 SAN TOMAS EXPRESSWAY  
 SANTA CLARA, CA 95050, USA

INV_PN	600-1G161-BASE-200
PCB REV	PG161-B00
BCM REV	A

PAGE 11 OF 42  
 DATE 06-DEC-2018



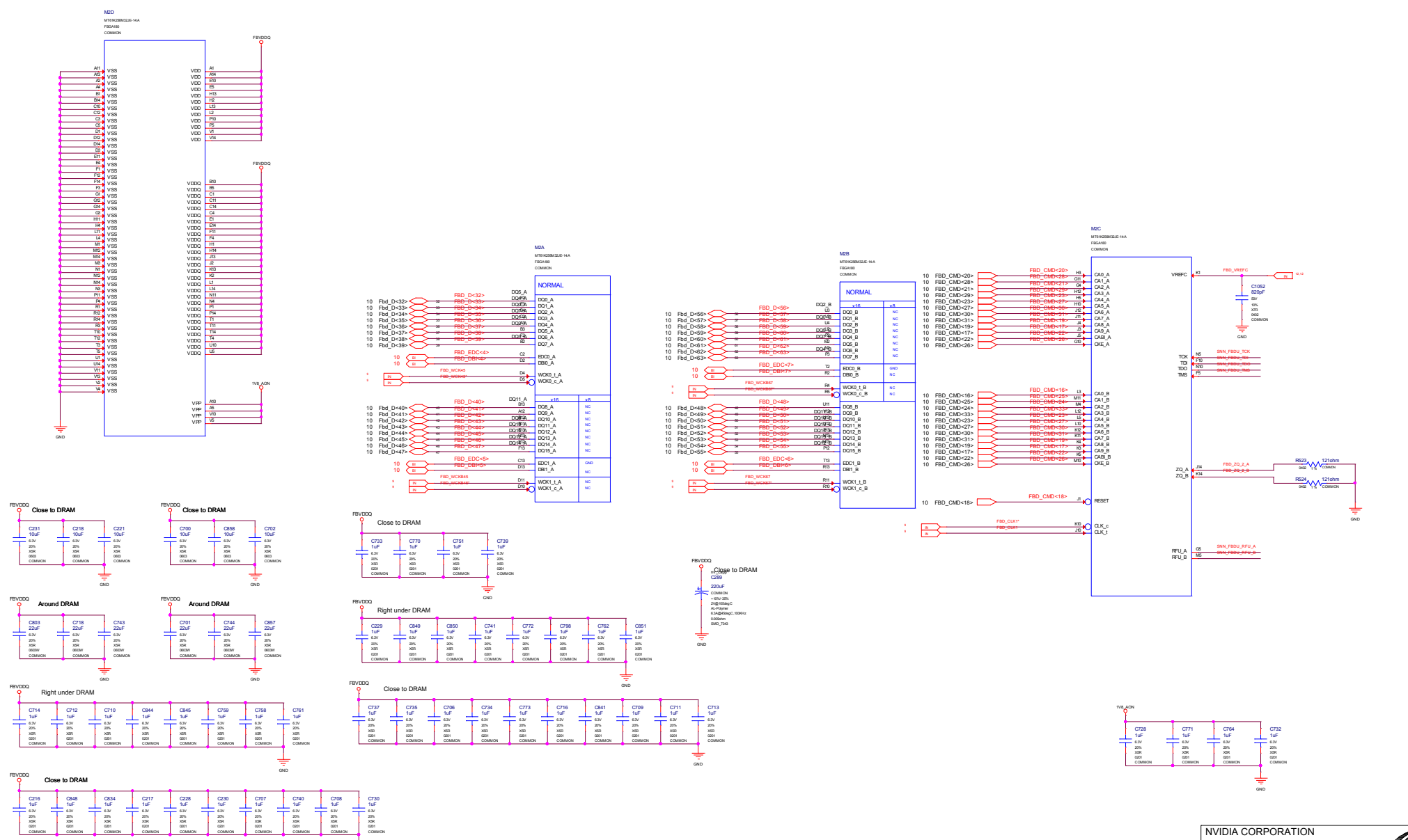
ALL NVIDIA DESIGN SPECIFICATIONS, REFERENCE BOARDS, FILES, DRAWINGS, DIAGNOSTIC LISTS AND OTHER DOCUMENTS OR INFORMATION (TOGETHER AND SEPARATELY, "MATERIALS") ARE BEING PROVIDED "AS IS". THE MATERIALS MAY CONTAIN UNKNOWN VIOLATIONS OR DEVIATIONS OF INDUSTRY STANDARDS AND SPECIFICATIONS. NVIDIA MAKES NO WARRANTIES, EXPRESSED, IMPLIED, STATUTORY OR OTHERWISE WITH RESPECT TO THE MATERIALS OR OTHERWISE, AND EXPRESSLY DISCLAIMS ALL WARRANTIES INCLUDING, WITHOUT LIMITATION, THE WARRANTIES OF DESIGN, MERCHANTABILITY OR FITNESS FOR A PARTICULAR PURPOSE, OR ARISING FROM A COURSE OF DEALING, TRADE USAGE, TRADE PRACTICE OR INDUSTRY STANDARDS.

ASSEMBLY	ASSEMBLY DESCRIPTION
PAGE:017AL	MEMORY: FB2(1) [3]

NVIDIA CORPORATION  
 2701 SAN TOMAS EXPRESSWAY  
 SANTA CLARA, CA 95050, USA



NV_PN	600-1G161-BASE-200
PCB REV	PG161-600
BOM REV	A
PAGE	12 OF 42
DATE	06/DEC/2018



ALL NVIDIA DESIGN SPECIFICATIONS, REFERENCE SPECIFICATIONS, REFERENCE BOARDS, FILES, DRAWINGS, DIAGNOSTICS, LISTS AND OTHER DOCUMENTS OR INFORMATION (TOGETHER AND SEPARATELY, "MATERIALS") ARE BEING PROVIDED AS IS. THE MATERIALS CONTAIN KNOWN AND UNKNOWN VIOLATIONS OR DEVIATIONS OF INDUSTRY STANDARDS AND SPECIFICATIONS. NVIDIA MAKES NO WARRANTIES, EXPRESSED, IMPLIED, STATUTORY OR OTHERWISE WITH RESPECT TO THE MATERIALS OR OTHERWISE, AND EXPRESSLY DISCLAIMS ALL WARRANTIES INCLUDING, WITHOUT LIMITATION, THE WARRANTIES OF DESIGN, NON-INFRINGEMENT, MERCHANTABILITY OR FITNESS FOR A PARTICULAR PURPOSE, OR ARISING FROM COURSE OF DEALING, TRADE USAGE, TRADE PRACTICE, OR INDUSTRY STANDARDS.

ASSEMBLY	ASSEMBLY DESCRIPTION
PAGE DETAIL	MEMORY: FBED32.32

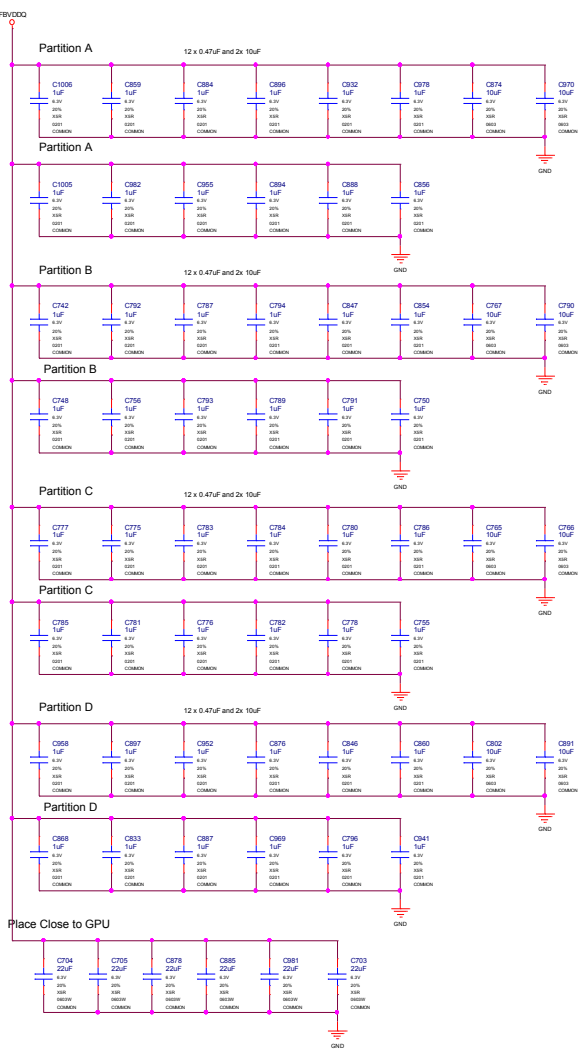
NVIDIA CORPORATION  
 2701 SAN TOMAS EXPRESSWAY  
 SANTA CLARA, CA 95050, USA

600-1G161-BASE-200

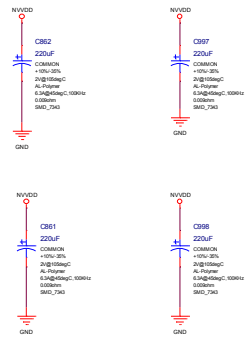
PCB REV	PG161-800	PAGE	13 OF 42
BCM REV	A	DATE	06-DEC-2018



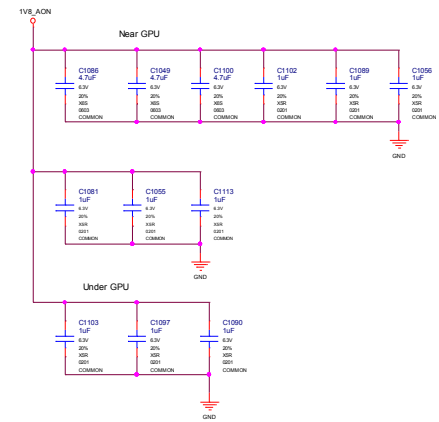
FBVDDQ



NVVDD




1V8\_AON



ALL NVIDIA DESIGN SPECIFICATIONS, REFERENCE SPECIFICATIONS, REFERENCE BOARDS, FILES, DRAWINGS, DIAGNOSTICS, LISTS AND OTHER DOCUMENTS (TOGETHER AND SEPARATELY, "MATERIALS") ARE BEING PROVIDED AS IS. THE MATERIALS MAY CONTAIN KNOWN AND UNKNOWN VIOLATIONS OR DEVIATIONS OF INDUSTRY STANDARDS AND SPECIFICATIONS. NVIDIA MAKES NO WARRANTIES, EXPRESSED, IMPLIED, STATUTORY OR OTHERWISE WITH RESPECT TO THE MATERIALS AND EXPRESSLY DISCLAIMS ALL IMPLIED WARRANTIES INCLUDING, WITHOUT LIMITATION, THE WARRANTIES OF DESIGN, NON-INFRINGEMENT, MERCHANTABILITY OR FITNESS FOR A PARTICULAR PURPOSE, OR ARISING FROM A COURSE OF DEALING, TRADE USAGE, TRADE PRACTICE, OR INDUSTRY STANDARDS.

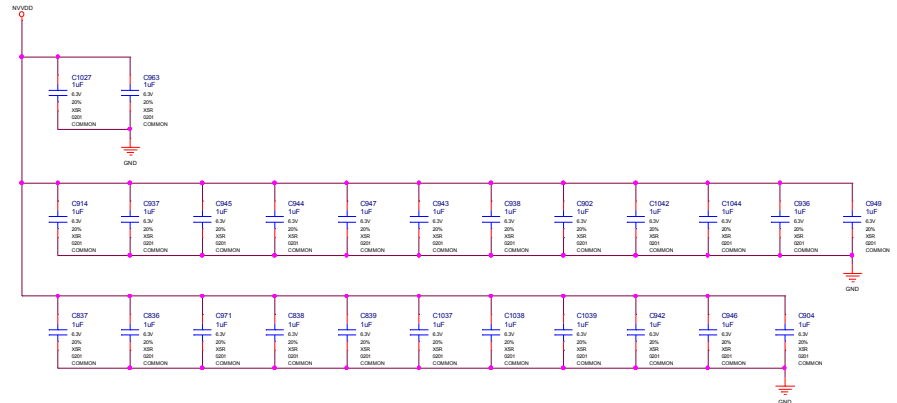
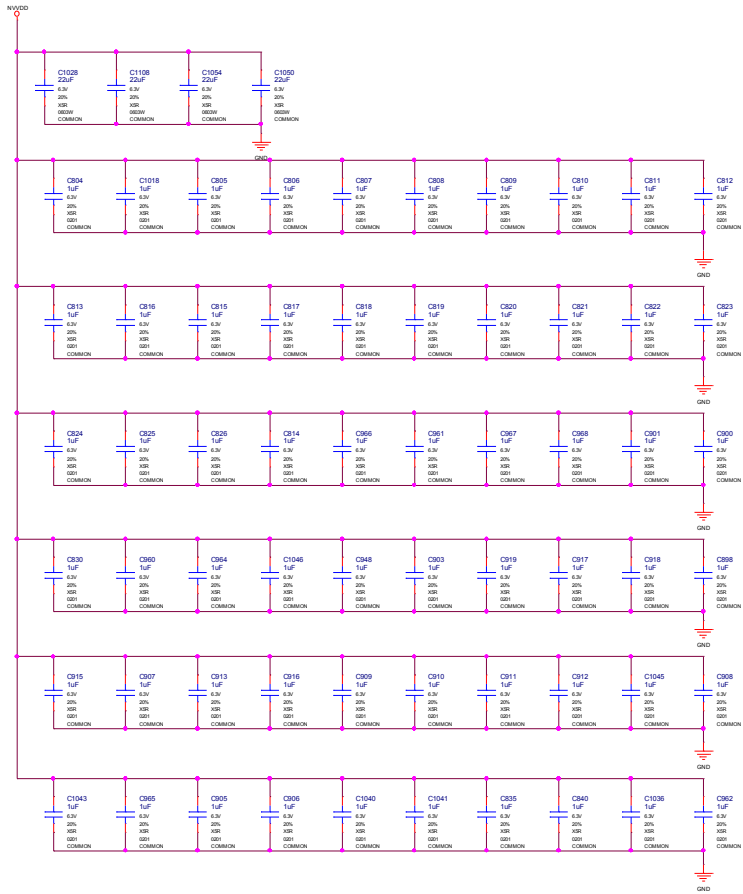
ASSEMBLY	ASSEMBLY DESCRIPTION
PAGE DETAIL	GPU DECOUPLING 1

**NVIDIA CORPORATION**  
 2701 SAN TOMAS EXPRESSWAY  
 SANTA CLARA, CA 95050, USA



INV_PN	600-1G161-BASE-200		
PCB REV	PG161-B00	PAGE	15 OF 42
BCM REV	A	DATE	06-DEC-2018

NVDD



ALL NVIDIA DESIGN SPECIFICATIONS, REFERENCE BOARDS, FILES, DRAWINGS, DIAGNOSTICS, LISTS AND OTHER DOCUMENTS OR INFORMATION (TOGETHER AND SEPARATELY, "MATERIALS") ARE BEING PROVIDED "AS IS". THE MATERIALS MAY CONTAIN KNOWN AND UNKNOWN VIOLATIONS OR DEVIATIONS OF INDUSTRY STANDARDS AND SPECIFICATIONS. NVIDIA MAKES NO WARRANTIES, EXPRESSED, IMPLIED, STATUTORY OR OTHERWISE WITH RESPECT TO THE MATERIALS OR OTHERWISE, AND EXPRESSLY DISCLAIMS ALL IMPLIED WARRANTIES INCLUDING, WITHOUT LIMITATION, THE WARRANTIES OF DESIGN, OF NON-INFRINGEMENT, MERCHANTABILITY OR FITNESS FOR A PARTICULAR PURPOSE, OR ARISING FROM A COURSE OF DEALING, TRADE USAGE, TRADE PRACTICE OR INDUSTRY STANDARDS.

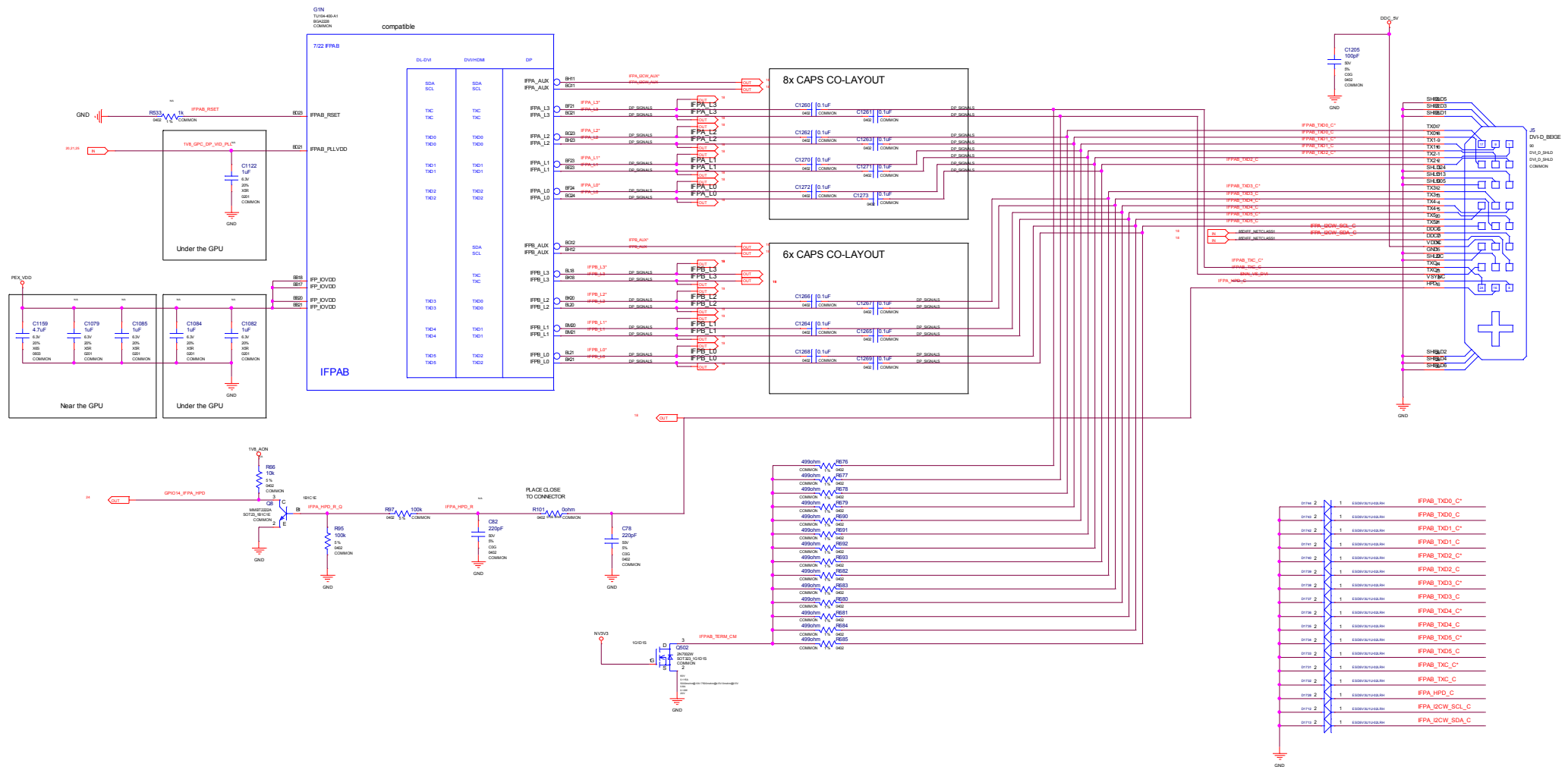
ASSEMBLY	ASSEMBLY DESCRIPTION
PAGE DETAIL	GPU DECOUPLING 2

NVIDIA CORPORATION  
 2701 SAN TOMAS EXPRESSWAY  
 SANTA CLARA, CA 95050, USA



Nv_PN	600-1G161-BASE-200		
PCB REV	PG161-600	PAGE	16 OF 42
BCM REV	A	DATE	06/DEC/2018





ALL NVIDIA DESIGN SPECIFICATIONS, REFERENCE SPECIFICATIONS, REFERENCE BOARDS, FILES, DRAWINGS, DIAGNOSTIC LISTS AND OTHER DOCUMENTS (TOGETHER AND SEPARATELY, "MATERIALS") ARE BEING PROVIDED "AS IS". THE MATERIALS MAY CONTAIN KNOWN AND UNKNOWN DEFICIENCIES OR DEVIATIONS OF INDUSTRY STANDARDS AND SPECIFICATIONS. NVIDIA MAKES NO WARRANTIES, EXPRESSED, IMPLIED, STATUTORY OR OTHERWISE WITH RESPECT TO THE MATERIALS AND EXPRESSLY DISCLAIMS ALL IMPLIED WARRANTIES INCLUDING, WITHOUT LIMITATION, THE WARRANTIES OF DESIGN, OF MERCHANTABILITY OR FITNESS FOR A PARTICULAR PURPOSE, OR ARISING FROM A COURSE OF DEALING, TRADE USAGE, TRADE PRACTICE, OR INDUSTRY CUSTOMARY PRACTICES.

ASSEMBLY	ASSEMBLY DESCRIPTION
PAGE DETAIL	ID: IFPAB DVI-D-DL

**NVIDIA CORPORATION**  
 2701 SAN TOMAS EXPRESSWAY  
 SANTA CLARA, CA 95050, USA

NV_PN	600-1G161-BASE-200
PCB REV	PG181-800
BCM REV	A

PAGE 17 OF 42  
 DATE 06 DEC 2018



ASSEMBLY	ASSEMBLY DESCRIPTION
PAGE DETAIL	IC: IFPB DP

NVIDIA CORPORATION

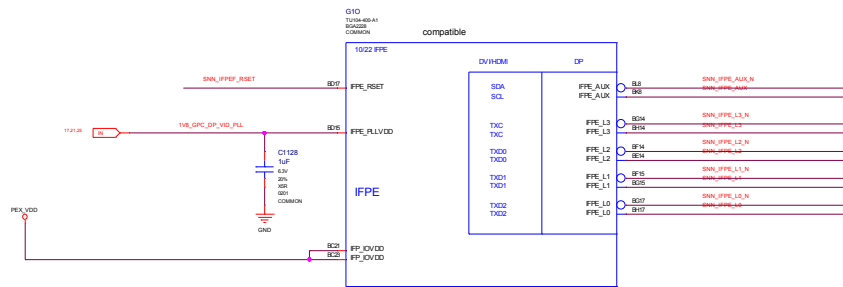
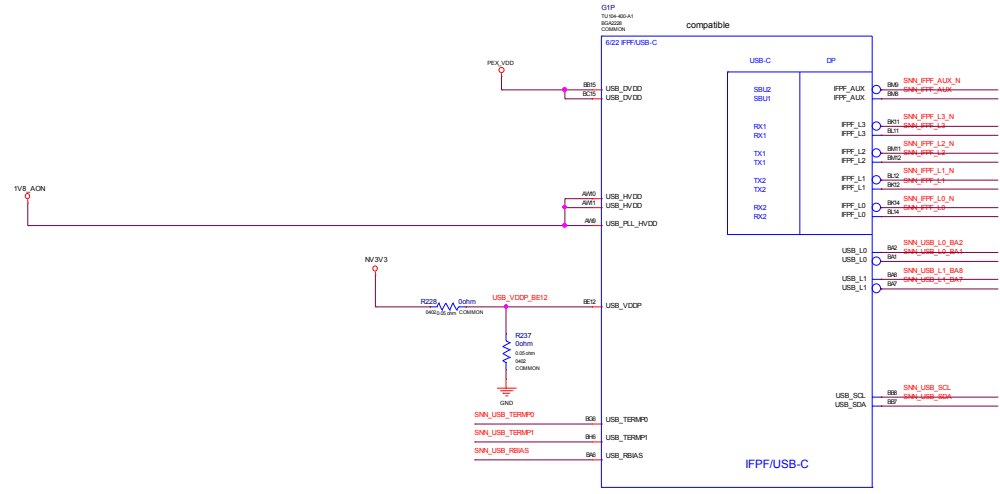
2701 SAN TOMAS EXPRESSWAY  
SANTA CLARA, CA 95050, USA



NV_PN	600-1G161-BASE-200		
PCB REV	PG161-600	PAGE	19 OF 42
BOM REV	A	DATE	06/DEC/2018

ALL NVIDIA DESIGN SPECIFICATIONS, REFERENCE BOARDS, FILES, DRAWINGS, DIAGNOSTICS, LISTS AND OTHER DOCUMENTS OR INFORMATION (TOGETHER AND SEPARATELY, "MATERIALS") ARE BEING PROVIDED "AS IS". THE MATERIALS MAY CONTAIN KNOWN AND UNKNOWN VIOLATIONS OR DEVIATIONS OF INDUSTRY STANDARDS AND SPECIFICATIONS. NVIDIA MAKES NO WARRANTIES, EXPRESSED, IMPLIED, STATUTORY OR OTHERWISE WITH RESPECT TO THE MATERIALS OR OTHERWISE, AND EXPRESSLY DISCLAIMS ALL WARRANTIES INCLUDING, WITHOUT LIMITATION, THE WARRANTIES OF DESIGN, OF NONINFRINGEMENT, MERCHANTABILITY OR FITNESS FOR A PARTICULAR PURPOSE, OR ARISING FROM A COURSE OF DEALING, TRADE USAGE, TRADE PRACTICE, OR INDUSTRY STANDARD.

A B C D E F G H



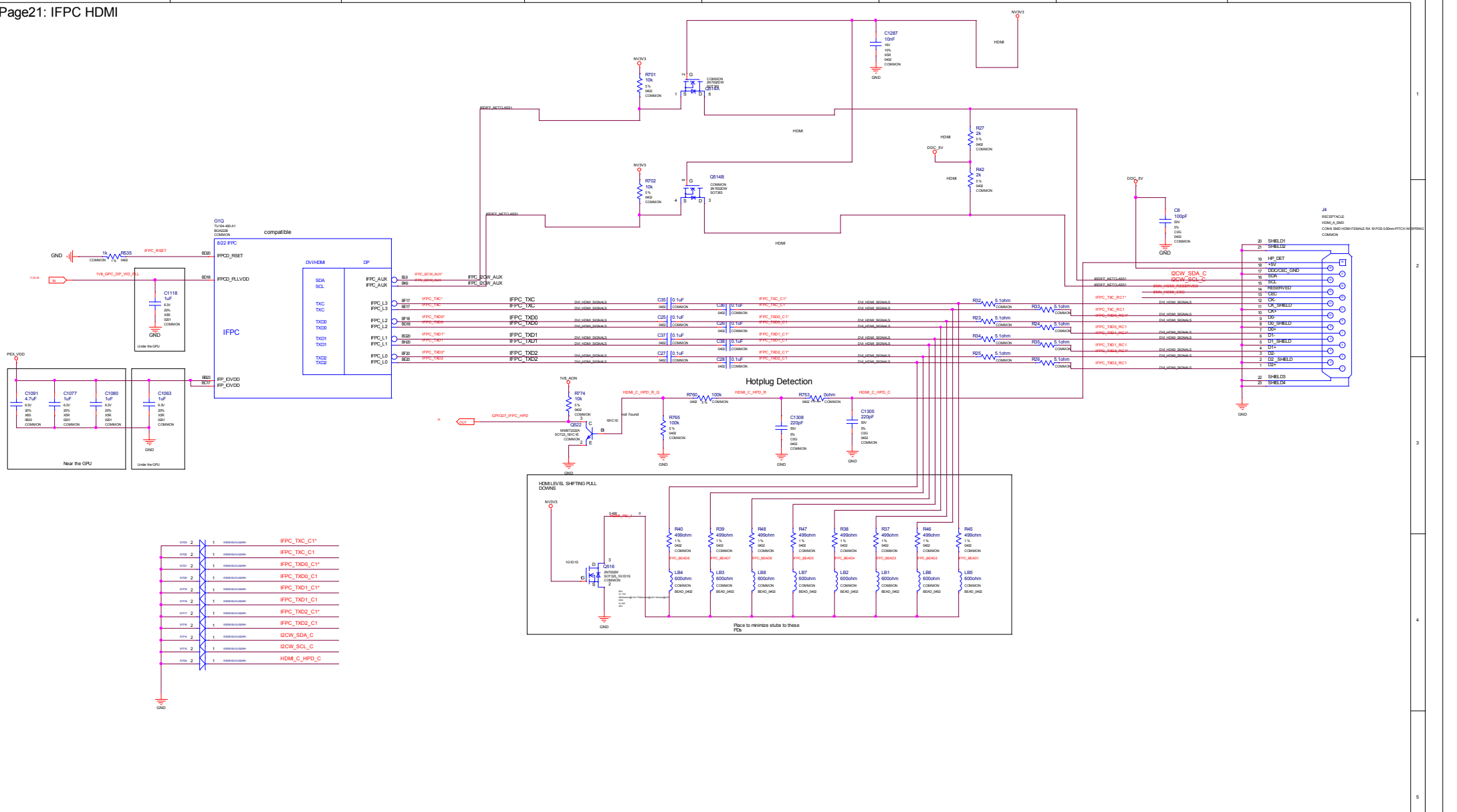
NVIDIA CORPORATION  
 2701 SANTOMAS EXPRESSWAY  
 SANTA CLARA, CA 95050, USA



ASSEMBLY	-ASSEMBLY DESCRIPTION-		
PAGE DETAIL			
NV_PN	600-1G161-BASE-200		
PCB REV	PG181-B00	PAGE	20 OF 42
BCM REV	A	DATE	

ALL NVIDIA DESIGN SPECIFICATIONS, REFERENCE SPECIFICATIONS, REFERENCE BOARDS, FILES, DRAWINGS, DIAGNOSTICS, LISTS AND OTHER DOCUMENTS OR INFORMATION (TOGETHER AND SEPARATELY, "MATERIALS") ARE BEING PROVIDED "AS IS". THE MATERIALS MAY CONTAIN KNOWN AND UNKNOWN VIOLATIONS OR DEVIATIONS OF INDUSTRY STANDARDS AND SPECIFICATIONS. NVIDIA MAKES NO WARRANTIES, EXPRESSED, IMPLIED, STATUTORY OR OTHERWISE WITH RESPECT TO THE MATERIALS AND EXPRESSLY DISCLAIMS ALL IMPLIED WARRANTIES INCLUDING, WITHOUT LIMITATION, THE WARRANTIES OF DESIGN, MERCHANTABILITY OR FITNESS FOR A PARTICULAR PURPOSE, OR ARISING FROM A COURSE OF DEALING, TRADE USAGE, TRADE PRACTICE, OR INDUSTRY STANDARDS.


ID: IFPE & IFPF NC



ALL NVIDIA DESIGN SPECIFICATIONS, REFERENCE SPECIFICATIONS, REFERENCE BOARDS, FILES, DRAWINGS, DIAGNOSTIC LISTS AND OTHER DOCUMENTS (TOGETHER AND SEPARATELY, "MATERIALS") ARE BEING PROVIDED AS IS. THE MATERIALS ARE PROVIDED WITHOUT WARRANTY OF ANY KIND, EITHER EXPRESSED OR IMPLIED, INCLUDING, BUT NOT LIMITED TO, THE WARRANTIES OF DESIGN, MERCHANTABILITY OR FITNESS FOR A PARTICULAR PURPOSE, OR ARISING FROM A COURSE OF DEALING, TRADE USAGE, TRADE PRACTICE, OR INDUSTRY STANDARDS.

ASSEMBLY	ASSEMBLY DESCRIPTION
PG161	IFPC HDMI

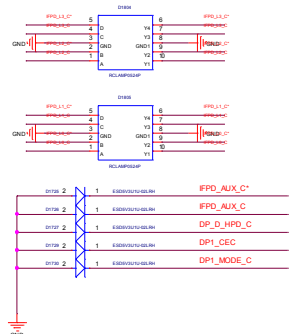
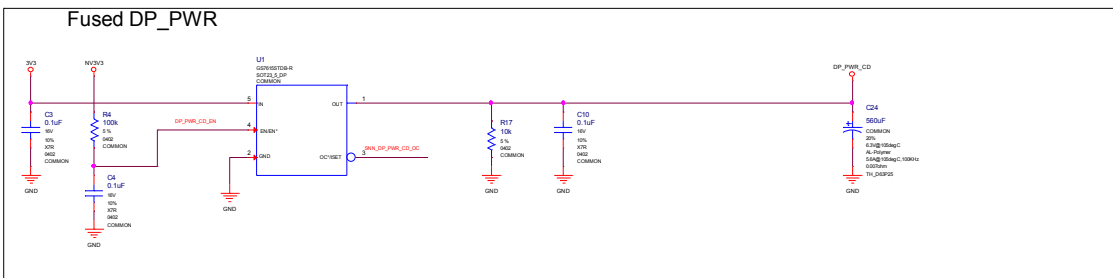
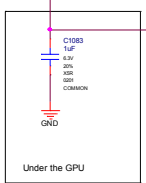
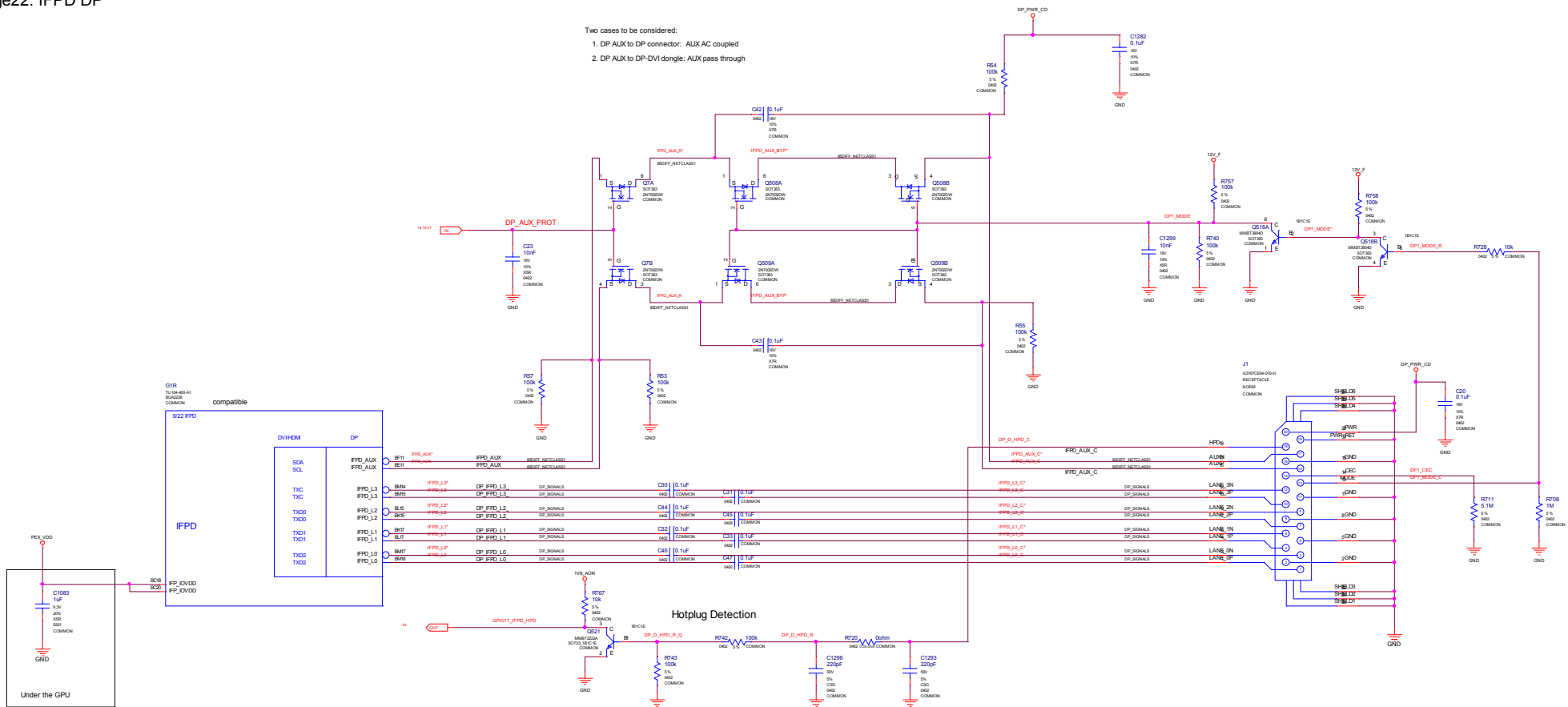
**NVIDIA CORPORATION**  
 2701 SAN TOMAS EXPRESSWAY  
 SANTA CLARA, CA 95050, USA



NV_PN	600-1G161-BASE-200
PCB REV	PG161-800
ICM REV	A

PAGE 21 OF 42  
DATE 06 DEC 2018


Two cases to be considered:  
 1. DP AUX to DP connector: AUX AC coupled  
 2. DP AUX to DP-DVI dongle: AUX pass through



ALL NVIDIA DESIGN SPECIFICATIONS, REFERENCE BOARDS, FILES, DRAWINGS, DIAGNOSTICS, LISTS AND OTHER DOCUMENTS (TOGETHER AND SEPARATELY, "MATERIALS") ARE BEING PROVIDED AS IS. THE MATERIALS MAY CONTAIN KNOWN AND UNKNOWN VIOLATIONS OR DEVIATIONS OF INDUSTRY STANDARDS AND SPECIFICATIONS. NVIDIA MAKES NO WARRANTIES, EXPRESSED, IMPLIED, STATUTORY OR OTHERWISE WITH RESPECT TO THE MATERIALS AND EXPRESSLY DISCLAIMS ALL WARRANTIES INCLUDING, WITHOUT LIMITATION, THE WARRANTIES OF DESIGN, MERCHANTABILITY OR FITNESS FOR A PARTICULAR PURPOSE, OR ARISING FROM A COURSE OF DEALING, TRADE USAGE, TRADE PRACTICE, OR INDUSTRY STANDARDS.

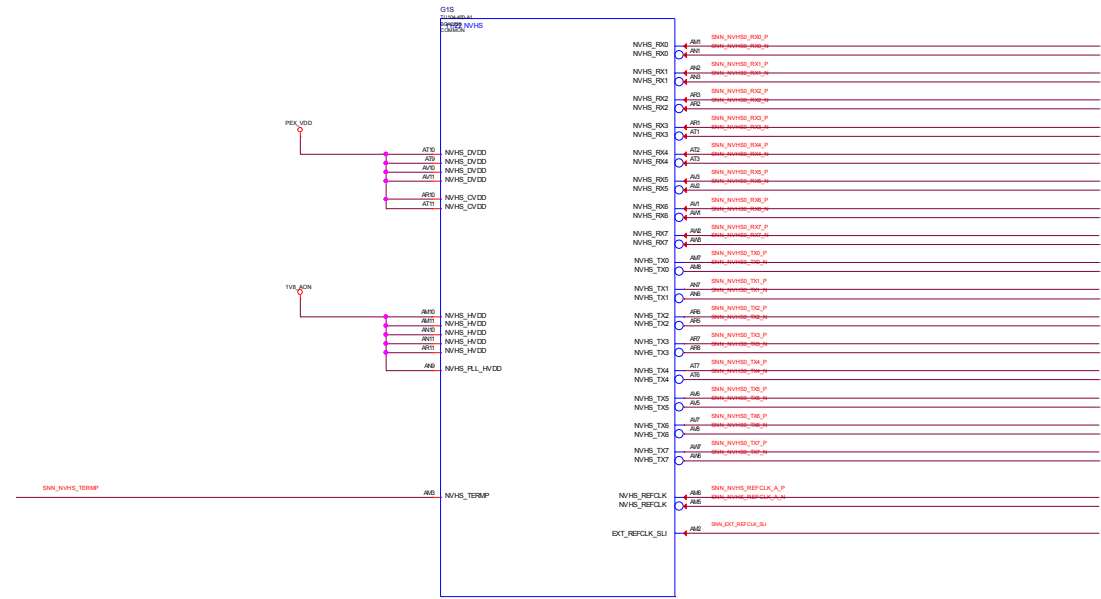
ASSEMBLY	ASSEMBLY DESCRIPTION
PAGE DETAIL	ID: IFPD DP

**NVIDIA CORPORATION**  
 2701 SAN TOMAS EXPRESSWAY  
 SANTA CLARA, CA 95050, USA



INV_PN	600-1G161-BASE-200
PCB REV	PG161-B00
BCM REV	A


PAGE	22 OF 42
DATE	06-DEC-2018



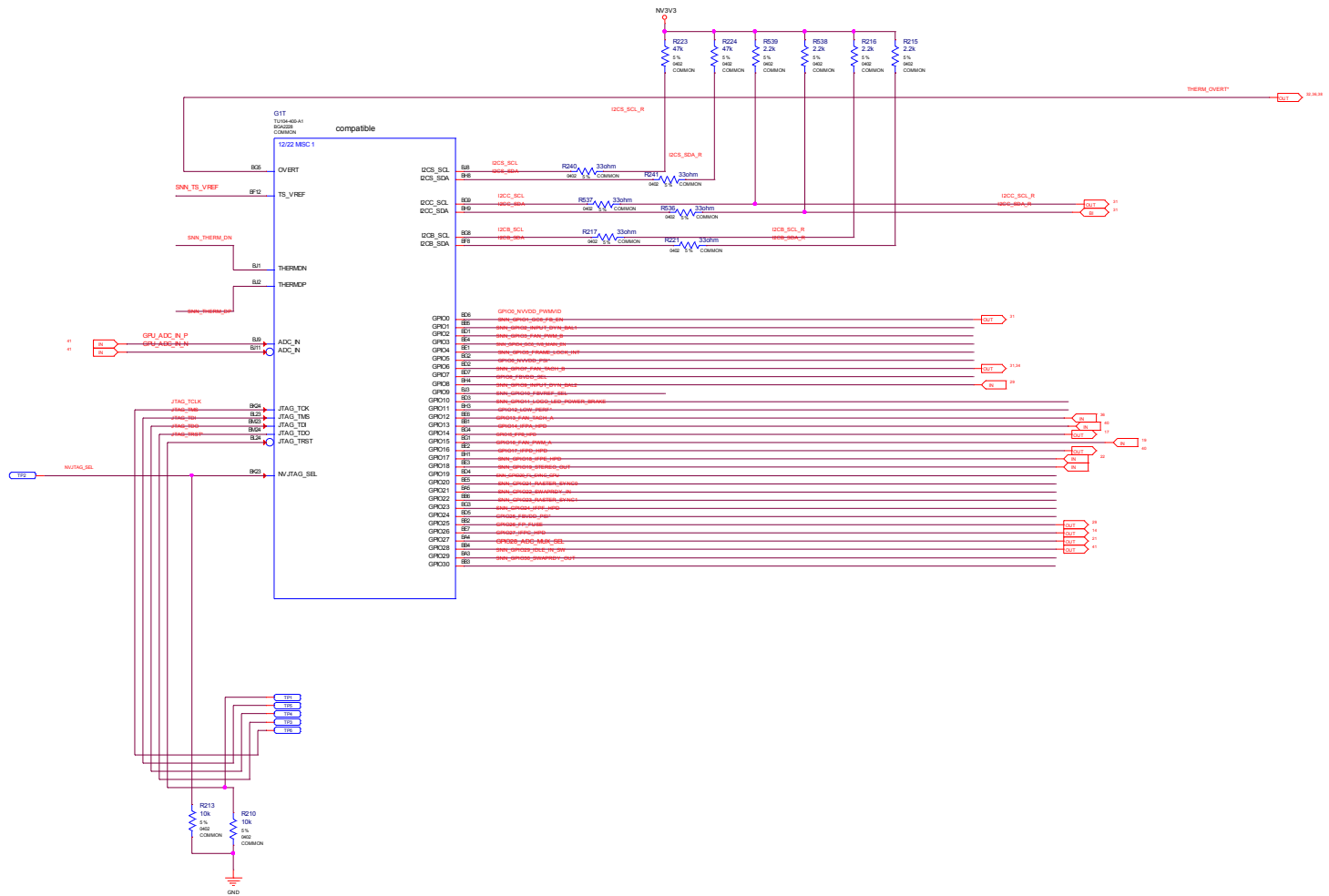
ALL NVIDIA DESIGN SPECIFICATIONS, REFERENCE SPECIFICATIONS, REFERENCE BOARDS, FILES, DRAWINGS, DIAGNOSTICS, LISTS AND OTHER DOCUMENTS OR INFORMATION (TOGETHER AND SEPARATELY, "MATERIALS") ARE BEING PROVIDED "AS IS". THE MATERIALS MAY CONTAIN KNOWN AND UNKNOWN VIOLATIONS OR DEVIATIONS OF INDUSTRY STANDARDS AND SPECIFICATIONS. NVIDIA MAKES NO WARRANTIES, EXPRESSED, IMPLIED, STATUTORY OR OTHERWISE WITH RESPECT TO THE MATERIALS OR OTHERWISE, AND EXPRESSLY DISCLAIMS ALL IMPLIED WARRANTIES INCLUDING, WITHOUT LIMITATION, THE WARRANTIES OF DESIGN, MERCHANTABILITY OR FITNESS FOR A PARTICULAR PURPOSE, OR ARISING FROM A COURSE OF DEALING, TRADE USAGE, TRADE PRACTICE, OR INDUSTRY STANDARDS.

ASSEMBLY	ASSEMBLY DESCRIPTION
PAGE DETAIL	ID: NVHS INTERFACE AND FRAME LOCK

**NVIDIA CORPORATION**  
 2701 SAN TOMAS EXPRESSWAY  
 SANTA CLARA, CA 95050, USA



NV_PN	600-1G161-BASE-200		
PCB REV	PG181-800	PAGE	23 OF 42
BOM REV	A	DATE	06 DEC 2018



ALL NVIDIA DESIGN SPECIFICATIONS, REFERENCE SPECIFICATIONS, REFERENCE BOARDS, FILES, DRAWINGS, DIAGNOSTICS, LISTS AND OTHER DOCUMENTS OR INFORMATION (TOGETHER AND SEPARATELY, "MATERIALS") ARE BEING PROVIDED "AS IS". THE MATERIALS MAY CONTAIN KNOWN AND UNKNOWN VIOLATIONS OR DEVIATIONS OF INDUSTRY STANDARDS AND SPECIFICATIONS. NVIDIA MAKES NO WARRANTIES, EXPRESSED, IMPLIED, STATUTORY OR OTHERWISE WITH RESPECT TO THE MATERIALS OR OTHERWISE, AND EXPRESSLY DISCLAIMS ALL IMPLIED WARRANTIES INCLUDING, WITHOUT LIMITATION, THE WARRANTIES OF DESIGN, OF NON-INFRINGEMENT, MERCHANTABILITY OR FITNESS FOR A PARTICULAR PURPOSE, OR ARISING FROM A COURSE OF DEALING, TRADE USAGE, TRADE PRACTICE, OR INDUSTRY STANDARDS.

NVIDIA CORPORATION  
 2701 SAN TOMAS EXPRESSWAY  
 SANTA CLARA, CA 95050, USA



ASSEMBLY	ASSEMBLY DESCRIPTION
PAGE DETAIL	MISC1: JTAG,GPIO,ADC,OVERT

NV_PN	600-1G161-BASE-200		
PCB REV	PG161-800	PAGE	24 OF 42
BCM REV	A	DATE	06 DEC-2018



STRAP2	STRAP1	STRAP0	RAMCFG[4:0]
L	L	L	00000
L	L	H	00001
L	H	L	00010
L	H	H	00011
H	H	L	00110
H	H	H	00111
L	L	M	01000

RAMCFG[4:0]	DENSITY	WIDTH	VENDOR	DIE
00000	8Gb	256-bit	Samsung	C
00001	8Gb	256-bit	Micron	A
00010	8Gb	256-bit	Hynix	M
00011	8Gb	256-bit	Samsung	C
00100	8Gb	256-bit	Micron	A
00101	8Gb	256-bit	Hynix	M
00110	16Gb	256-bit	Samsung	M
00111				

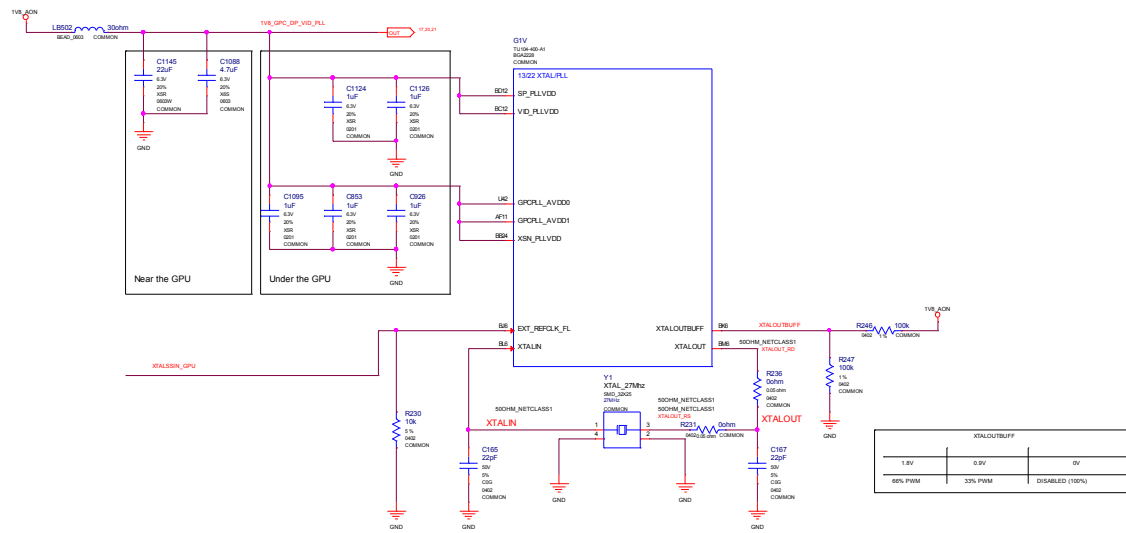
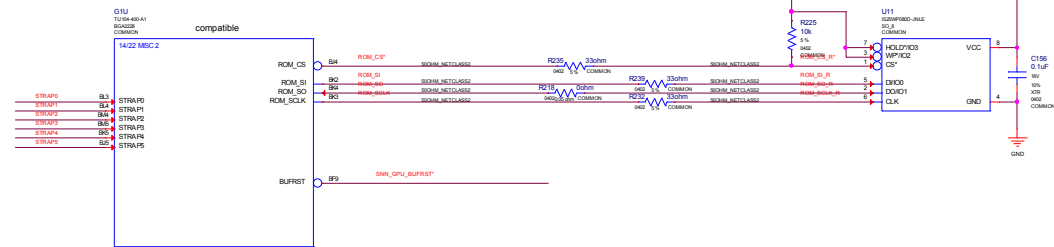
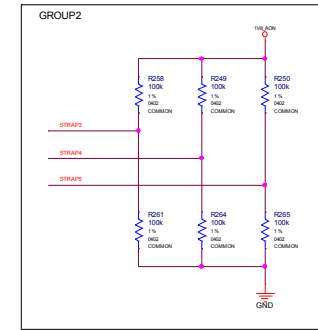
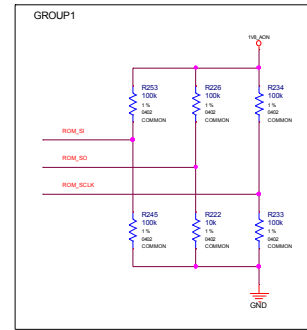
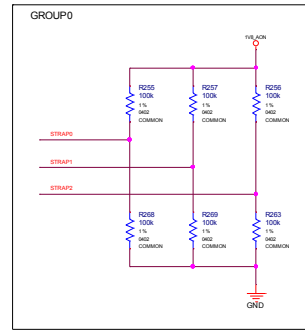
ROM_SO	ROM_SI	ROM_SCLK	DUMMY[2:0].FS_OVERT	1.ENABLE 0.DISABLE	DEFAULT
L	L	L	XXX1	FS_OVERT ENABLE	DEFAULT
L	L	M	XXX0	FS_OVERT DISABLE	

STRAP5	STRAP4	STRAP3	SMB_ALT_ADDR	DEVID_SEL	PCIE_CFG	VGA_DEVICE
M	H	H	1	1	1	1
M	H	L	1	1	1	0
M	L	H	1	1	0	1
M	L	L	1	1	0	0
L	H	M	1	0	1	1
L	M	H	1	0	1	0
L	M	L	1	0	0	0
L	L	M	1	0	0	0
H	H	H	0	1	1	1
H	H	L	0	1	1	0
H	L	H	0	1	0	1
H	L	L	0	1	0	0
L	H	H	0	0	1	1
L	H	L	0	0	1	0
L	L	H	0	0	0	1 DEFAULT
L	L	L	0	0	0	0

H=High :Tied to 1.8V  
M=Middle:Tied to 0.9V  
L=Low :Tied to 0V

1:SMB\_ALT\_ADDR ENABLE  
0:SMB\_ALT\_ADDR DISABLE  
1:DEVID\_SEL REBRAND  
0:DEVID\_SEL ORGNAL

1:PCIE\_CFG LOW POWER  
0:PCIE\_CFG HIGH POWER  
1:VGA\_DEVICE ENABLE  
0:VGA\_DEVICE DISABLE



XTALOUTBUFF		
1.8V	0.9V	0V
80% PWM	33% PWM	DISABLED (100%)

NVIDIA CORPORATION  
2701 SANTA ROSA EXPRESSWAY  
SANTA CLARA, CA 95050, USA

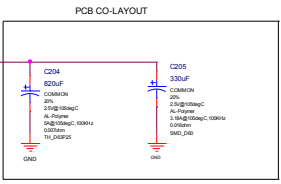
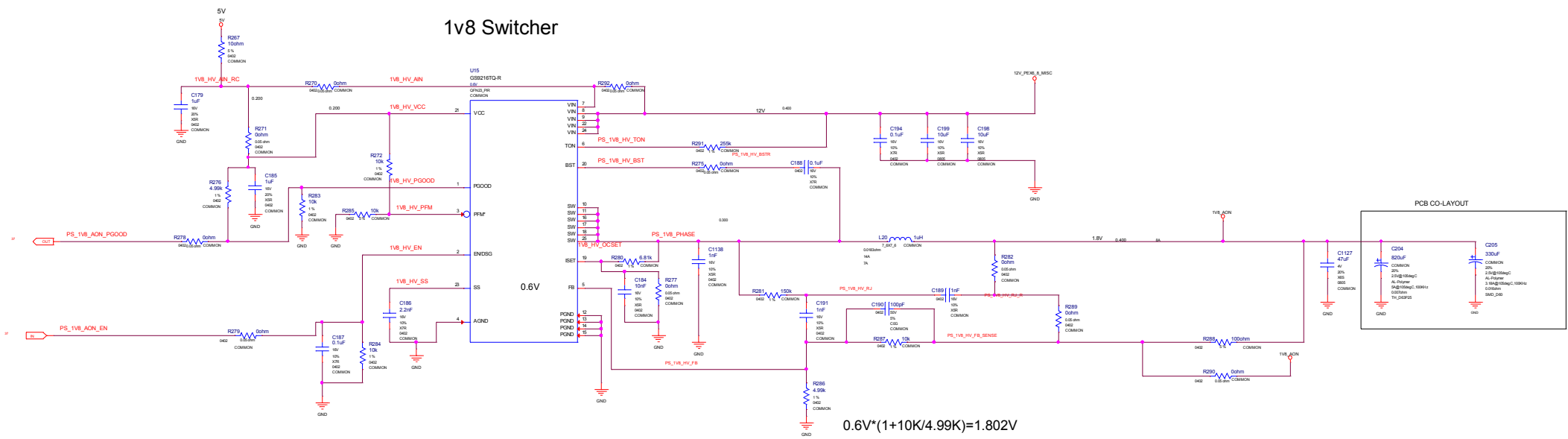


ASSEMBLY	ASSEMBLY DESCRIPTION
PCB DETAIL	MISC2: ROM, XTAL, STRAPS

NV_PN	600-1G161-BASE-200		
PCB REV	PG161-800	PAGE	25 OF 42
ROM REV	A	DATE	06 DEC-2018

ALL NVIDIA DESIGN SPECIFICATIONS, REFERENCE SPECIFICATIONS, REFERENCE BOARDS, FILES, DRAWINGS, DIAGNOSTICS, LISTS AND OTHER DOCUMENTS (TOGETHER AND SEPARATELY, "MATERIALS") ARE BEING PROVIDED "AS IS". THE MATERIALS MAY CONTAIN KNOWN AND UNKNOWN VARIATIONS OR DEVIATIONS OF INDUSTRY STANDARDS AND SPECIFICATIONS. NVIDIA MAKES NO WARRANTIES, EXPRESSED, IMPLIED, STATUTORY OR OTHERWISE WITH RESPECT TO THE MATERIALS OR OTHERWISE, AND EXPRESSLY DISCLAIMS ALL IMPLIED WARRANTIES INCLUDING, WITHOUT LIMITATION, THE WARRANTIES OF DESIGN, MERCHANTABILITY OR FITNESS FOR A PARTICULAR PURPOSE, OR ARISING FROM A COURSE OF DEALING, TRADE USAGE, TRADE PRACTICE, OR INDUSTRY STANDARDS.

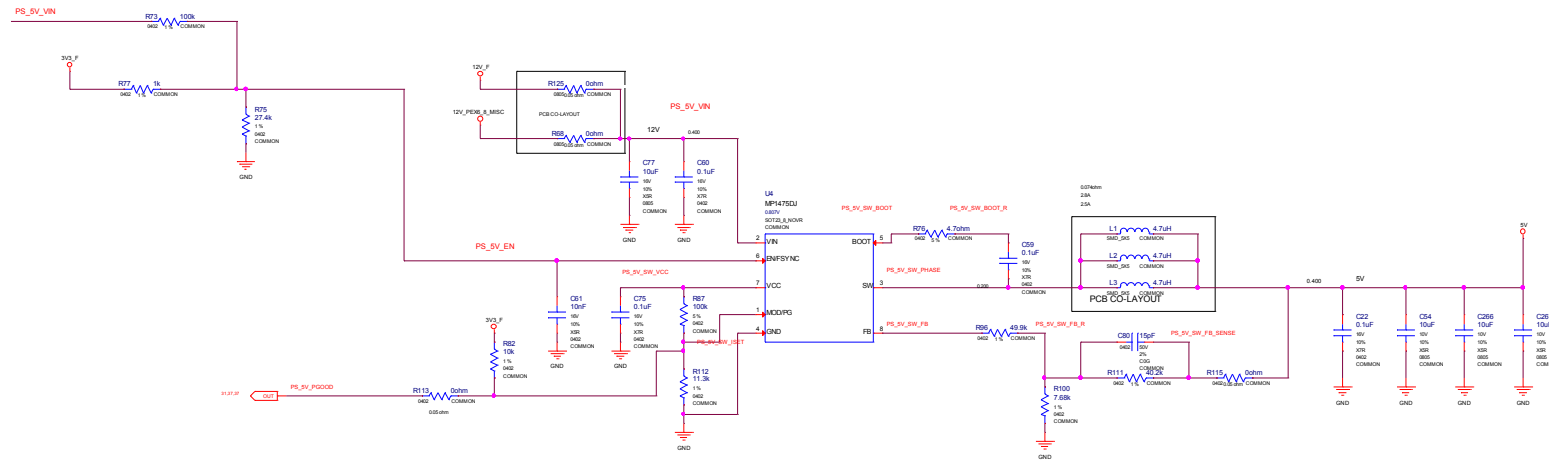
# 1v8 Switcher



ALL NVIDIA DESIGN SPECIFICATIONS, REFERENCE SPECIFICATIONS, REFERENCE BOARDS, FILES, DRAWINGS, DIAGNOSTICS, LISTS AND OTHER DOCUMENTS OR INFORMATION (TOGETHER AND SEPARATELY, "MATERIALS") ARE BEING PROVIDED "AS IS". THE MATERIALS MAY CONTAIN KNOWN AND UNKNOWN VIOLATIONS OR DEVIATIONS OF INDUSTRY STANDARDS AND SPECIFICATIONS. NVIDIA MAKES NO WARRANTIES, EXPRESSED, IMPLIED, STATUTORY OR OTHERWISE WITH RESPECT TO THE MATERIALS OR OTHERWISE, AND EXPRESSLY DISCLAIMS ALL IMPLIED WARRANTIES INCLUDING, WITHOUT LIMITATION, THE WARRANTIES OF DESIGN, OF NONINFRINGEMENT, MERCHANTABILITY OR FITNESS FOR A PARTICULAR PURPOSE, OR ARISING FROM A COURSE OF DEALING, TRADE USAGE, TRADE PRACTICE, OR INDUSTRY STANDARDS.

ASSEMBLY	"ASSEMBLY DESCRIPTION"
PAGE DETAIL	PS: 1V8_AON


NVIDIA CORPORATION			
2701 SAN TOMAS EXPRESSWAY			
SANTA CLARA, CA 95050, USA			
NV_PN	600-1G161-BASE-200		
PCB REV	PG161-B00	PAGE	26 OF 42
BCM REV	A	DATE	06-DEC-2016



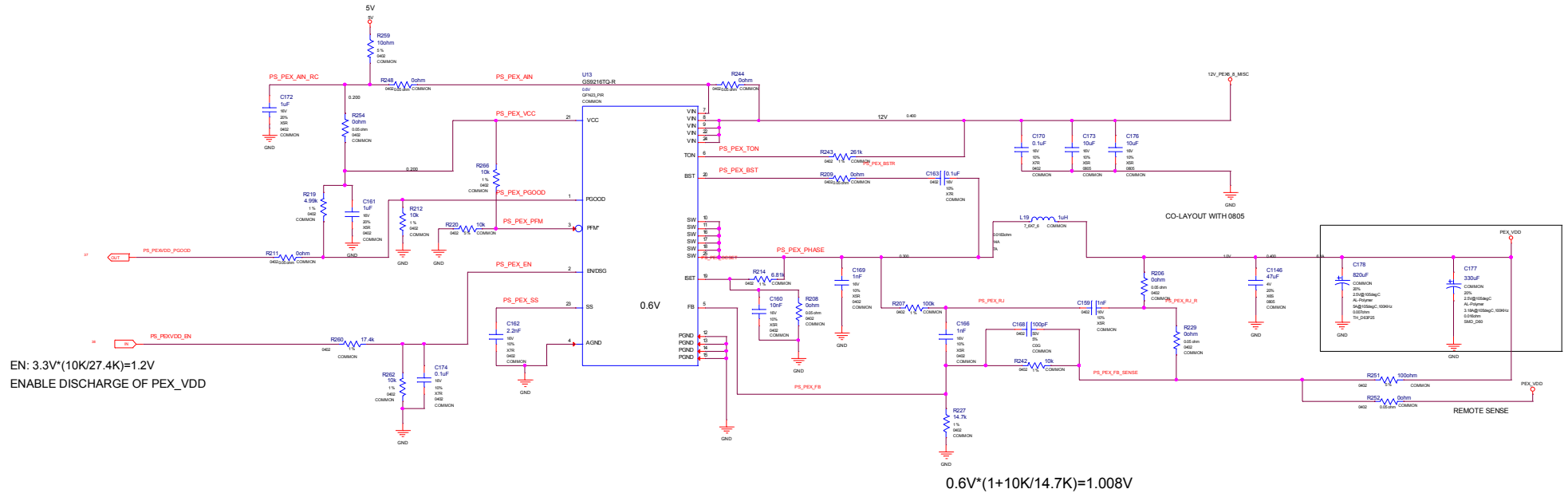
$$0.8V \cdot (1 + 40.2K / 7.68K) = 4.9875V$$

ALL NVIDIA DESIGN SPECIFICATIONS, REFERENCE SPECIFICATIONS, REFERENCE BOARDS, FILES, DRAWINGS, DIAGNOSTICS, LISTS AND OTHER DOCUMENTS OR INFORMATION (TOGETHER AND SEPARATELY, "MATERIALS") ARE BEING PROVIDED "AS IS". THE MATERIALS MAY CONTAIN KNOWN AND UNKNOWN VIOLATIONS OR DEVIATIONS OF INDUSTRY STANDARDS AND SPECIFICATIONS. NVIDIA MAKES NO WARRANTIES, EXPRESSED, IMPLIED, STATUTORY OR OTHERWISE WITH RESPECT TO THE MATERIALS OR OTHERWISE, AND EXPRESSLY DISCLAIMS ALL IMPLIED WARRANTIES INCLUDING, WITHOUT LIMITATION, THE WARRANTIES OF DESIGN, MERCHANTABILITY OR FITNESS FOR A PARTICULAR PURPOSE, OR ARISING FROM A COURSE OF DEALING, TRADE USAGE, TRADE PRACTICE OR INDUSTRY STANDARDS.

ASSEMBLY	ASSEMBLY DESCRIPTION
PAGE: 27/42	PS: 5V

<b>NVIDIA CORPORATION</b> 2701 SAN TOMAS EXPRESSWAY SANTA CLARA, CA 95050, USA			
NV_PN PCB REV BOM REV	600-1G161-BASE-200 PG161-600 A		PAGE DATE

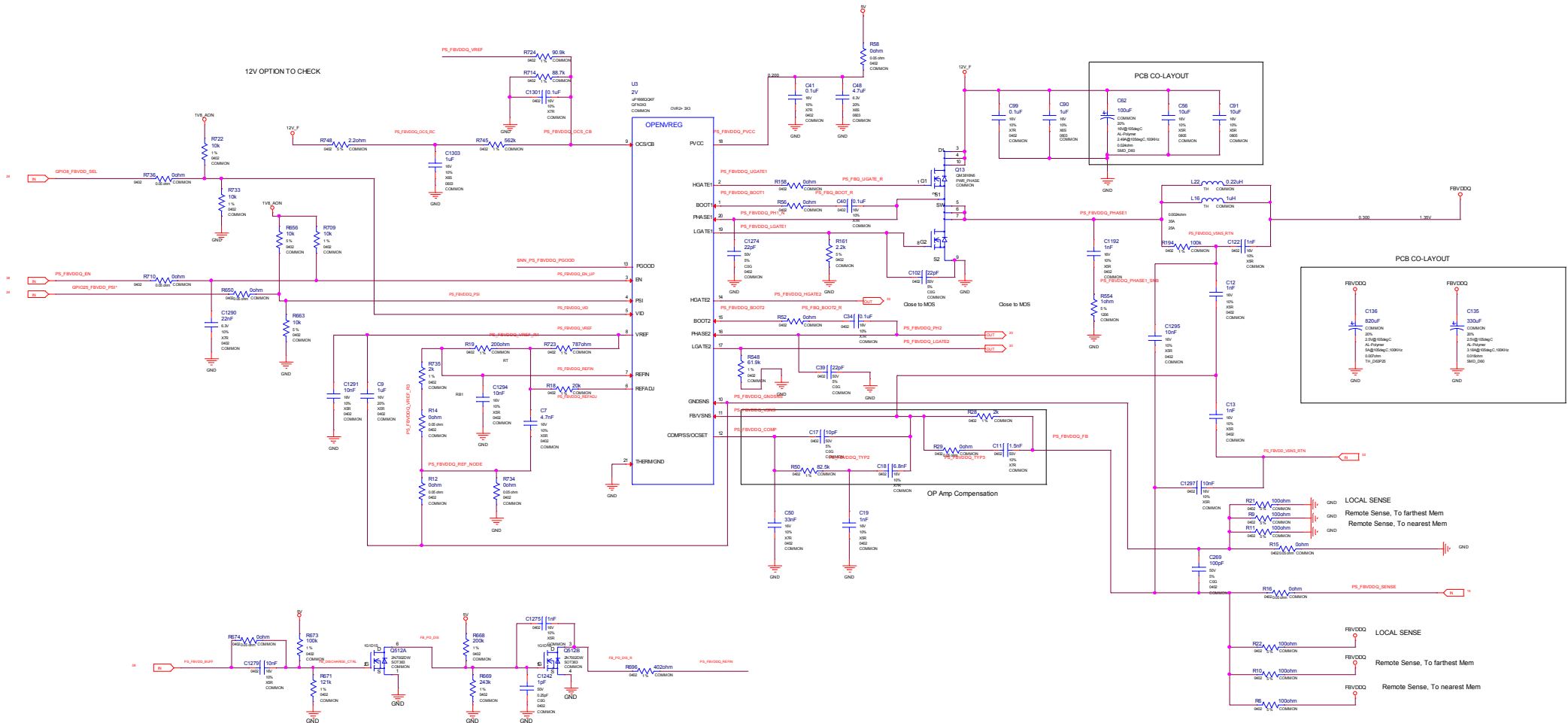
### PEX Switcher



ALL NVIDIA DESIGN SPECIFICATIONS, REFERENCE BOARDS, FILES, DRAWINGS, DIAGNOSTICS, LISTS AND OTHER DOCUMENTS OR INFORMATION (TOGETHER AND SEPARATELY, "MATERIALS") ARE BEING PROVIDED "AS IS". THE MATERIALS MAY CONTAIN KNOWN AND UNKNOWN VARIATIONS OR DEVIATIONS OF INDUSTRY STANDARDS AND SPECIFICATIONS. NVIDIA MAKES NO WARRANTIES, EXPRESSED, IMPLIED, STATUTORY OR OTHERWISE WITH RESPECT TO THE MATERIALS OR OTHERWISE, AND EXPRESSLY DISCLAIMS ALL IMPLIED WARRANTIES INCLUDING, WITHOUT LIMITATION, THE WARRANTIES OF DESIGN, MERCHANTABILITY OR FITNESS FOR A PARTICULAR PURPOSE, OR ARISING FROM A COURSE OF DEALING, TRADE USAGE, TRADE PRACTICE, OR INDUSTRY STANDARDS.

NVIDIA CORPORATION			
2701 SANTOMAS EXPRESSWAY			
SANTA CLARA, CA 95050, USA			
NV_PN	600-1G161-BASE-200		
PCB REV	PG161-800	PAGE	28 OF 42
BCM REV	A	DATE	06 DEC-2018

ASSEMBLY	-ASSEMBLY DESCRIPTION-
PAGE DETAIL	PS_PEXVDD



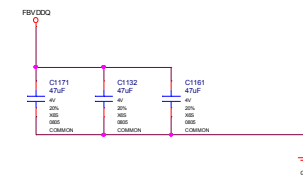
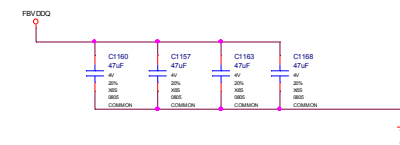
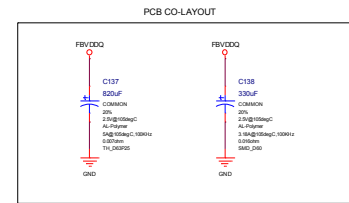
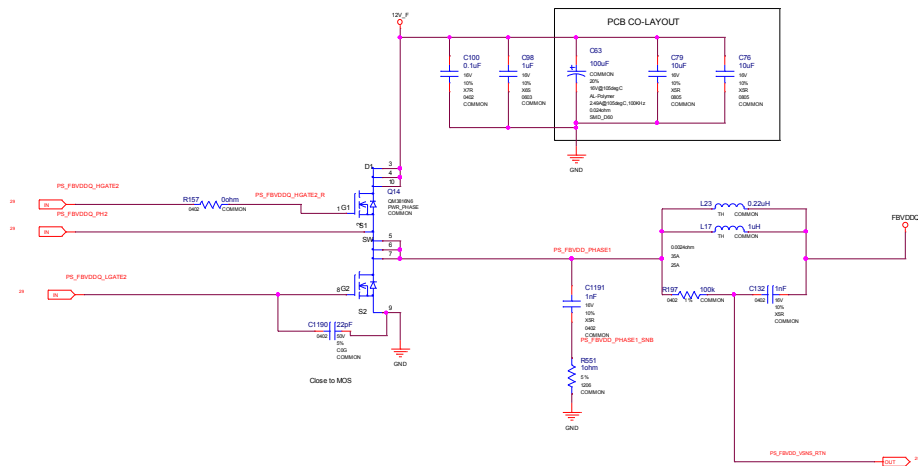
ALL NVIDIA DESIGN SPECIFICATIONS, REFERENCE BOARDS, FILES, DRAWINGS, DIAGNOSTICS, LISTS AND OTHER DOCUMENTS (TOGETHER AND SEPARATELY, "MATERIALS") ARE BEING PROVIDED "AS IS". THE MATERIALS MAY CONTAIN KNOWN AND UNKNOWN VIOLATIONS OR DEVIATIONS OF INDUSTRY STANDARDS AND SPECIFICATIONS. NVIDIA MAKES NO WARRANTIES, EXPRESSED, IMPLIED, STATUTORY OR OTHERWISE WITH RESPECT TO THE MATERIALS OR OTHERWISE, AND EXPRESSLY DISCLAIMS ALL IMPLIED WARRANTIES INCLUDING, WITHOUT LIMITATION, THE WARRANTIES OF DESIGN, MERCHANTABILITY OR FITNESS FOR A PARTICULAR PURPOSE, OR ARISING FROM A COURSE OF DEALING, TRADE USAGE, TRADE PRACTICE, OR INDUSTRY STANDARDS.

ASSEMBLY	ASSEMBLY DESCRIPTION
PAGE DETAIL	PS: FBVDDQ

NVIDIA CORPORATION	
2701 SANTA TOMAS EXPRESSWAY	
SANTA CLARA, CA 95050, USA	
NV_PN	600-1G161-BASE-200
PCB REV	PG181-800
BCM REV	A
PAGE	29 OF 42
DATE	06 DEC-2018

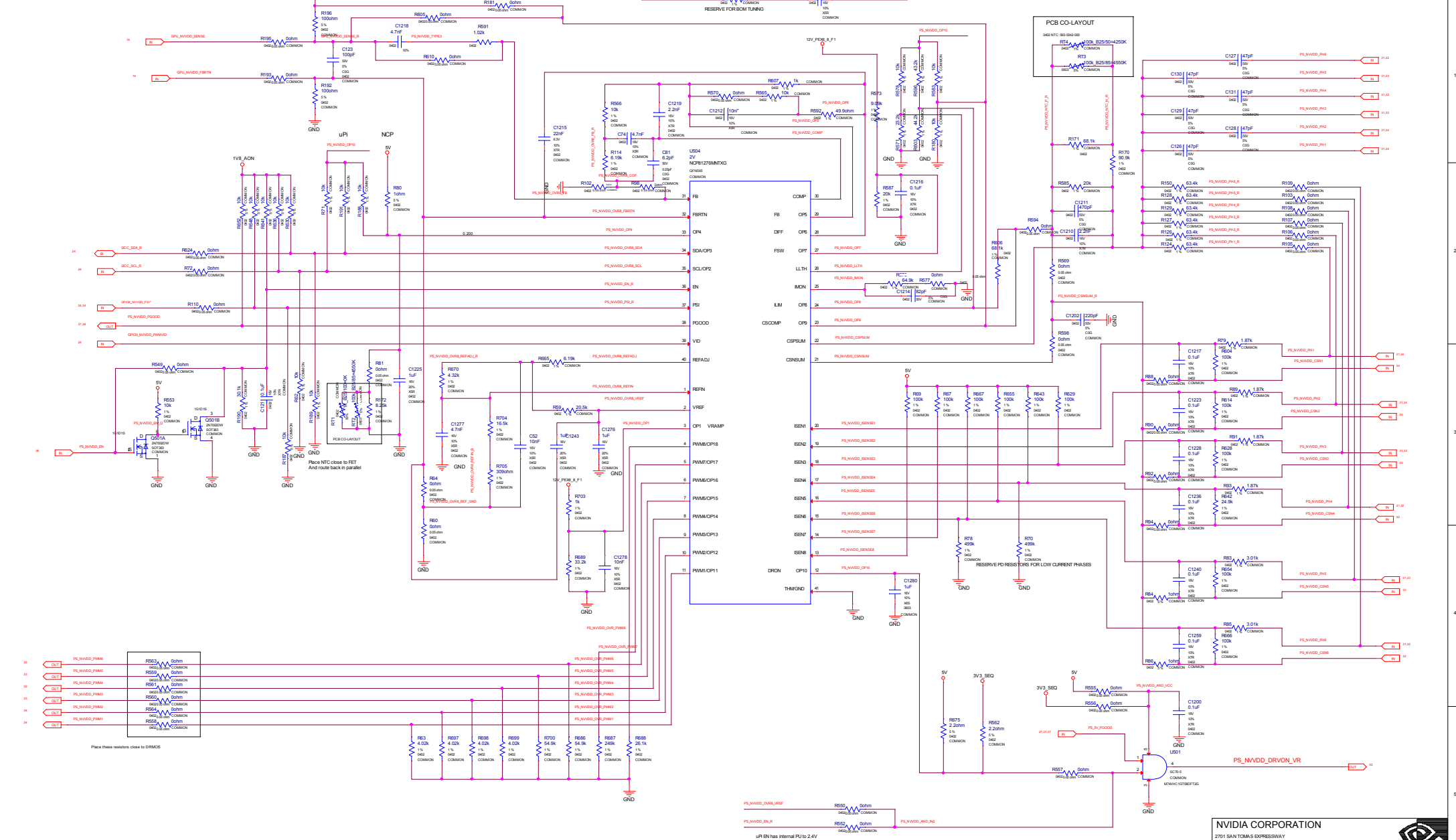




<b>NVIDIA CORPORATION</b> 2701 SAN TOMAS EXPRESSWAY SANTA CLARA, CA 95050, USA			
NV_PN	600-1G161-BASE-200	PAGE	36 OF 42
PCB REV	PG161-B00	DATE	06-DEC-2018
BCM REV	A		

ALL NVIDIA DESIGN SPECIFICATIONS, REFERENCE SPECIFICATIONS, REFERENCE BOARDS, FILES, DRAWINGS, DIAGNOSTICS, LISTS AND OTHER DOCUMENTS OR INFORMATION (TOGETHER AND SEPARATELY, "MATERIALS") ARE BEING PROVIDED "AS IS". THE MATERIALS MAY CONTAIN KNOWN AND UNKNOWN VIOLATIONS OR DEVIATIONS OF INDUSTRY STANDARDS AND SPECIFICATIONS. NVIDIA MAKES NO WARRANTIES, EXPRESSED, IMPLIED, STATUTORY OR OTHERWISE WITH RESPECT TO THE MATERIALS AND EXPRESSLY DISCLAIMS ALL IMPLIED WARRANTIES INCLUDING, WITHOUT LIMITATION, THE WARRANTIES OF DESIGN, NON-INFRINGEMENT, MERCHANTABILITY OR FITNESS FOR A PARTICULAR PURPOSE, ARISING FROM A COURSE OF DEALING, TRADE USAGE, TRADE PRACTICE OR INDUSTRY STANDARDS.


ASSEMBLY	ASSEMBLY DESCRIPTION
PAGE DETAIL	PS: FBVDDQ PH2



ALL NVIDIA DESIGN SPECIFICATIONS, REFERENCE BOARDS, FILES, DRAWINGS, DIAGNOSTICS, LISTS AND OTHER DOCUMENTS (TOGETHER AND SEPARATELY, "MATERIALS") ARE BEING PROVIDED "AS IS." THE MATERIALS MAY CONTAIN KNOWN AND UNKNOWN VIOLATIONS OR DEVIATIONS OF INDUSTRY STANDARDS AND SPECIFICATIONS. NVIDIA MAKES NO WARRANTIES, EXPRESSED, IMPLIED, STATUTORY OR OTHERWISE WITH RESPECT TO THE MATERIALS OR OTHERWISE, AND EXPRESSLY DISCLAIMS ALL IMPLIED WARRANTIES INCLUDING, WITHOUT LIMITATION, THE WARRANTIES OF DESIGN, OF NON-INFRINGEMENT, MERCHANTABILITY OR FITNESS FOR A PARTICULAR PURPOSE, OR ARISING FROM A COURSE OF DEALING, TRADE USAGE, TRADE PRACTICE, OR INDUSTRY STANDARDS.

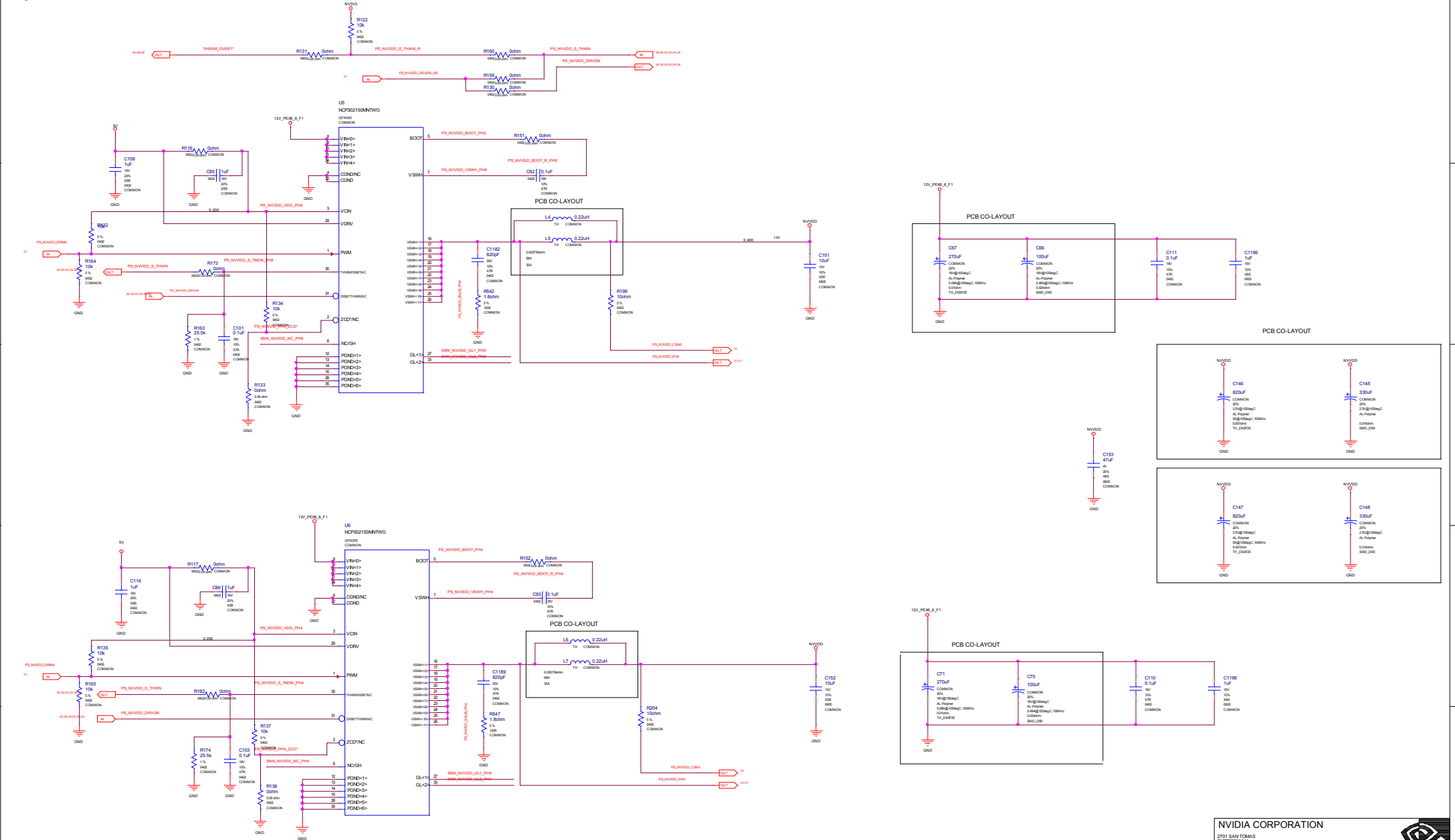
ASSEMBLY	"ASSEMBLY_DESCRIPTION"
PAGE DETAIL	PS: NVVDD Controller

**NVIDIA CORPORATION**  
 2701 SAN TOMEAS EXPRESSWAY  
 SANTA CLARA, CA 95050, USA



NV\_PN **600-1G161-BASE-200**

PCB REV	PG161-B00	PAGE	31 OF 42
BCM REV	A	DATE	06-DEC-2016



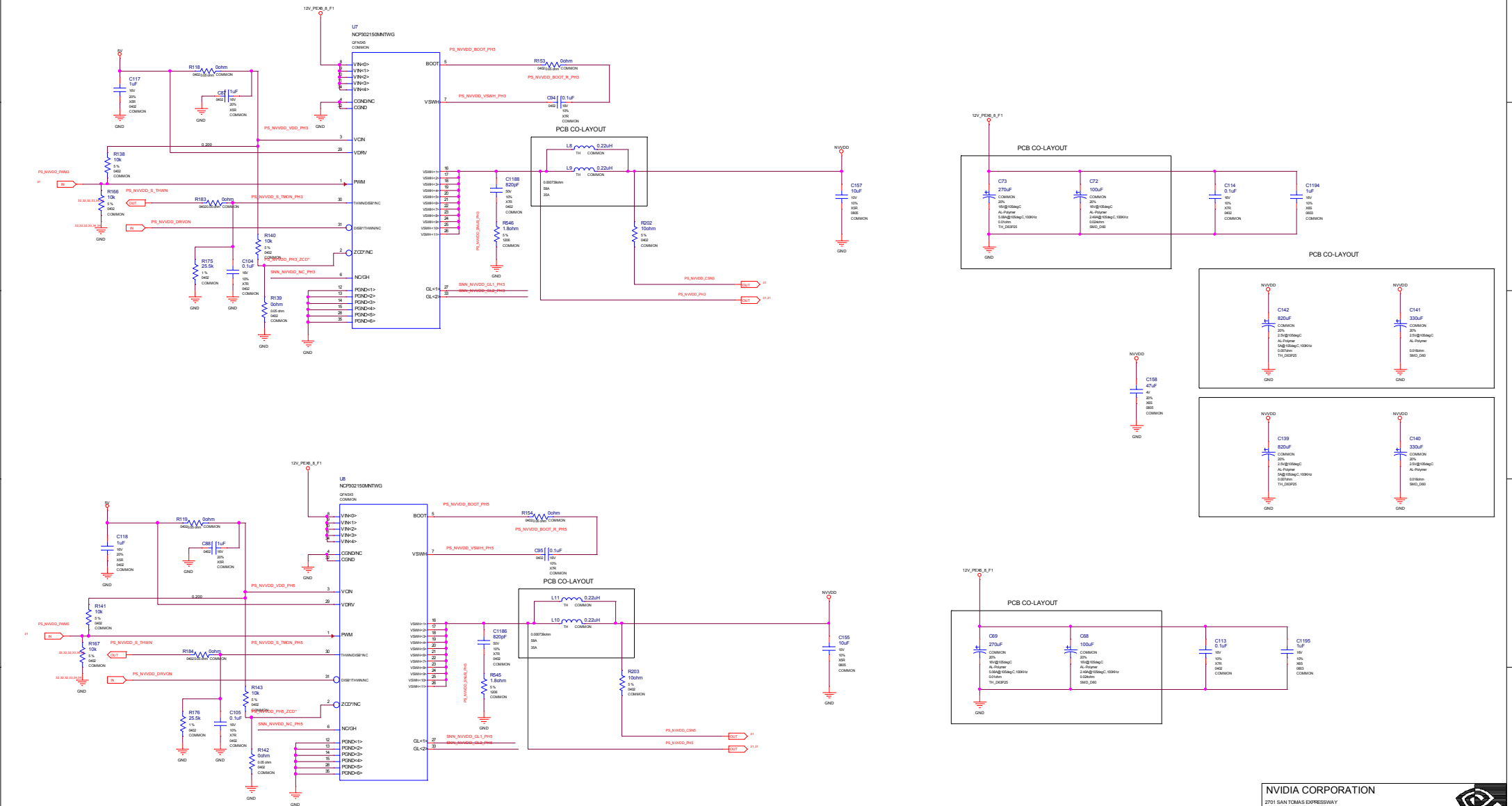
ALL NVIDIA DESIGN SPECIFICATIONS, REFERENCE BOARDS, FILES, DRAWINGS, DIAGNOSTIC LISTS AND OTHER DOCUMENTS OR INFORMATION (TOGETHER AND SEPARATELY, "MATERIALS") ARE BEING PROVIDED "AS IS". THE MATERIALS ARE PROVIDED WITHOUT WARRANTY OF ANY KIND, EITHER EXPRESS OR IMPLIED, INCLUDING ANY IMPLIED WARRANTIES OF MERCHANTABILITY OR FITNESS FOR A PARTICULAR PURPOSE, OR ARISING FROM A COURSE OF DEALING, TRADE USAGE, TRADE PRACTICE, OR INDUSTRY CUSTOM.

ASSEMBLY	ASSEMBLY DESCRIPTION
PAGE DETAIL	PS: NVVDD Phase 6.4

NVIDIA CORPORATION  
 2701 SAN TOMAS EXPRESSWAY  
 SANTA CLARA, CA 95050, USA

NV_PN	600-1G161-BASE-200
PCB REV	PG181-800
FORM REV	A
PAGE	32 OF 42
DATE	06 DEC-2018





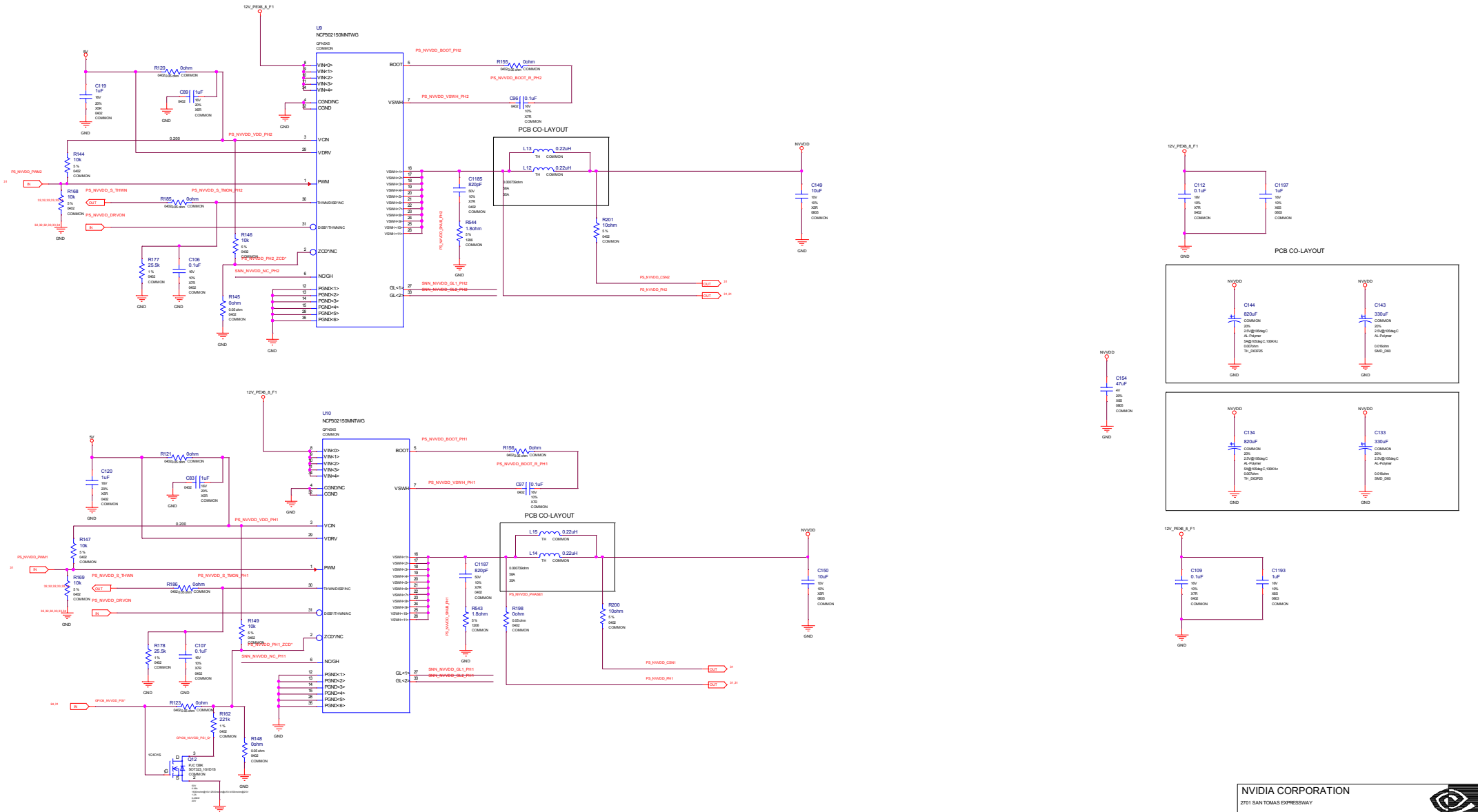
ASSEMBLY	<ASSEMBLY_DESCRIPTION>
PAGE DETAIL	PS: NVVDD Phase 3.5

ALL NVIDIA DESIGN SPECIFICATIONS, REFERENCE BOARDS, FILES, DRAWINGS, DIAGNOSTICS, LISTS AND OTHER DOCUMENTS OR INFORMATION (TOGETHER AND SEPARATELY, "MATERIALS") ARE BEING PROVIDED "AS IS". THE MATERIALS MAY CONTAIN KNOWN AND UNKNOWN DEFICIENCIES OR DEVIATIONS OF INDUSTRY STANDARDS AND SPECIFICATIONS. NVIDIA MAKES NO WARRANTIES, EXPRESSED, IMPLIED, STATUTORY OR OTHERWISE WITH RESPECT TO THE MATERIALS OR OTHERWISE, AND EXPRESSLY DISCLAIMS ALL IMPLIED WARRANTIES INCLUDING, WITHOUT LIMITATION, THE WARRANTIES OF DESIGN, MERCHANTABILITY OR FITNESS FOR A PARTICULAR PURPOSE, OR ARISING FROM A COURSE OF DEALING, TRADE USAGE, TRADE PRACTICE, OR INDUSTRY STANDARDS.

NVIDIA CORPORATION  
 2701 SANTOMAS EXPRESSWAY  
 SANTA CLARA, CA 95050, USA



NV_PN	600-1G161-BASE-200
PCB REV	PG181-B00
BOB REV	A
PAGE	33 OF 42
DATE	06 DEC-2018



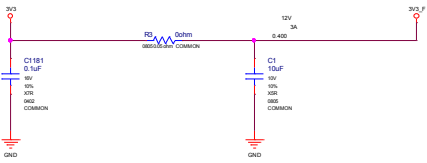
ASSEMBLY		-ASSEMBLY DESCRIPTION-	
PAGE DETAIL		PS: NVVDD Phase 2.1	

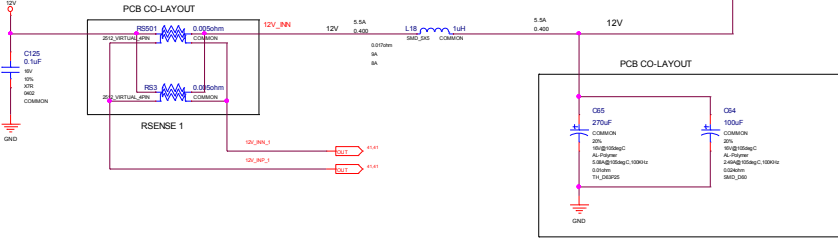
NV_PN		600-1G161-BASE-200	
PCB REV	PGT81-B00	PAGE	34 OF 42
BCM REV	A	DATE	06 DEC-2018

ALL NVIDIA DESIGN SPECIFICATIONS, REFERENCE BOARDS, FILES, DRAWINGS, DIAGNOSTICS, LISTS AND OTHER DOCUMENTS OR INFORMATION (TOGETHER AND SEPARATELY, "MATERIALS") ARE BEING PROVIDED "AS IS". THE MATERIALS MAY CONTAIN KNOWN AND UNKNOWN DEFICIENCIES OR DEVIATIONS OF INDUSTRY STANDARDS AND SPECIFICATIONS. NVIDIA MAKES NO WARRANTIES, EXPRESSED, IMPLIED, STATUTORY OR OTHERWISE WITH RESPECT TO THE MATERIALS AND EXPRESSLY DISCLAIMS ALL IMPLIED WARRANTIES INCLUDING, WITHOUT LIMITATION, THE WARRANTIES OF DESIGN, MERCHANTABILITY OR FITNESS FOR A PARTICULAR PURPOSE, OR ARISING FROM A COURSE OF DEALING, TRADE USAGE, TRADE PRACTICE, OR INDUSTRY STANDARDS.

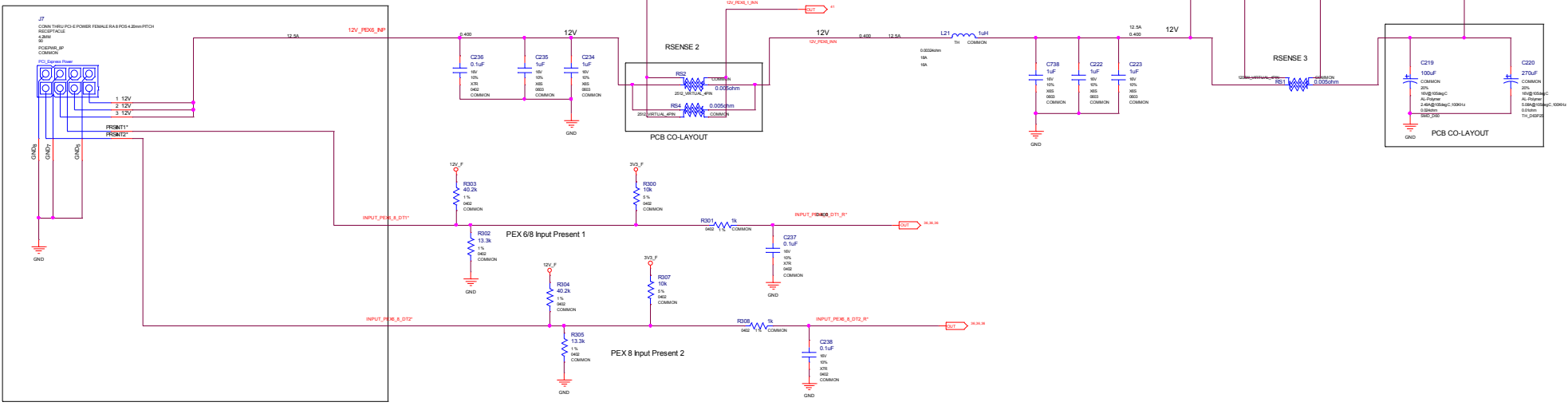
PEX 3V3 INPUT - 10W



PEX\_12V INPUT - 66W



PEX8 INPUT 1 - 2x4 PCIE CON 150W



ALL NVIDIA DESIGN SPECIFICATIONS, REFERENCE SPECIFICATIONS, REFERENCE BOARDS, FILES, DRAWINGS, DIAGNOSTIC LISTS AND OTHER DOCUMENTS OR INFORMATION (TOGETHER AND SEPARATELY, "MATERIALS") ARE BEING PROVIDED "AS IS". THE MATERIALS ARE PROVIDED WITHOUT WARRANTY OF ANY KIND, EXPRESS OR IMPLIED, INCLUDING BUT NOT LIMITED TO THE WARRANTIES OF DESIGN, MERCHANTABILITY OR FITNESS FOR A PARTICULAR PURPOSE, OR ARISING FROM A COURSE OF DEALING, TRADE USAGE, TRADE PRACTICE OR INDUSTRY STANDARD.

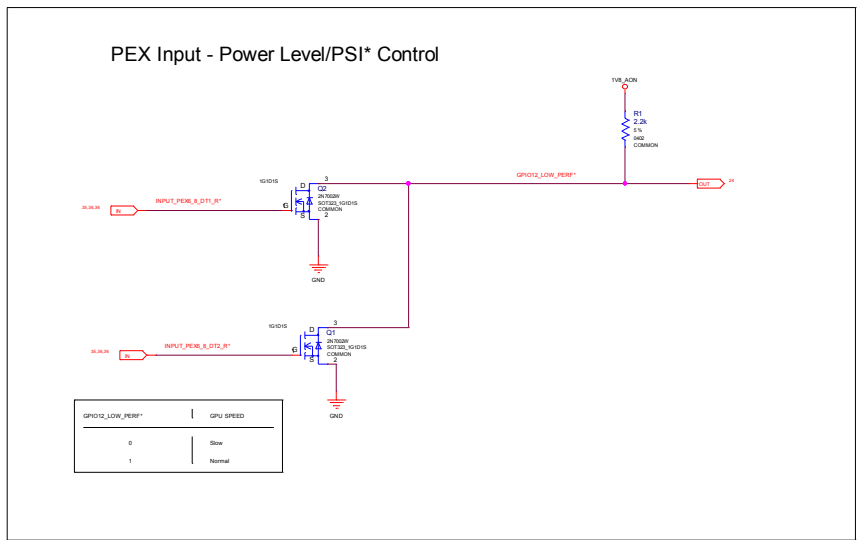
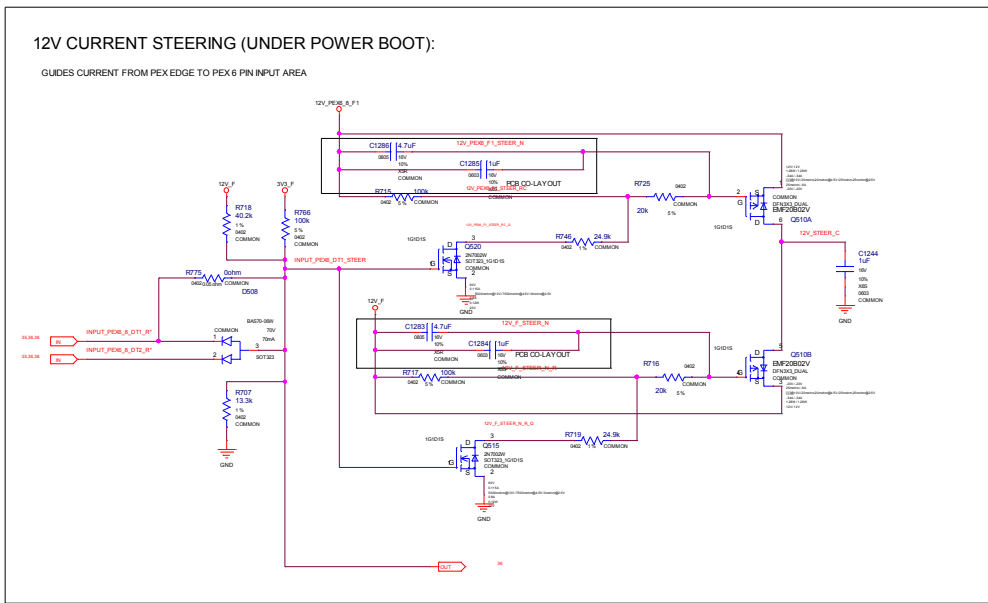
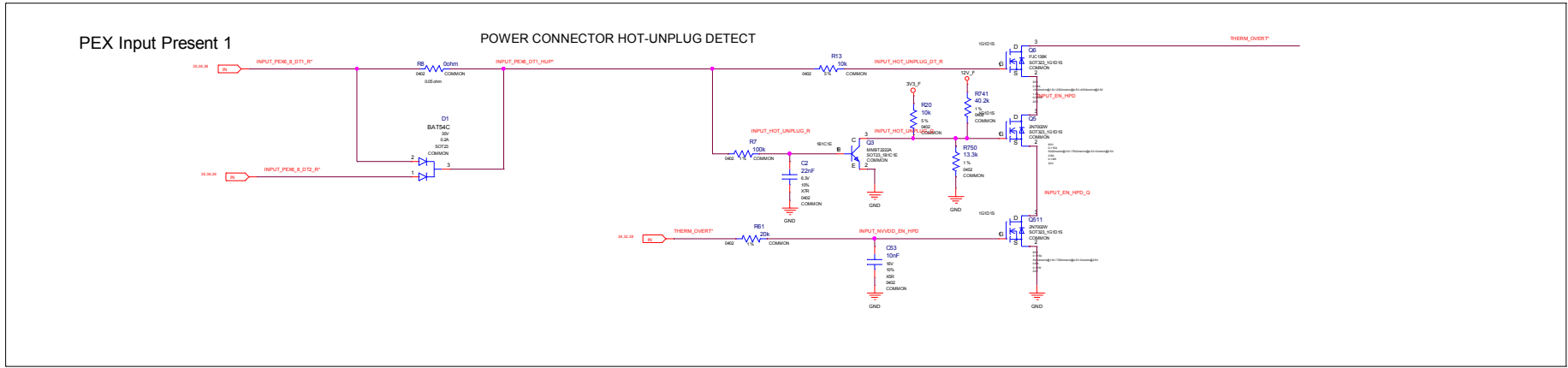
ASSEMBLY	ASSEMBLY DESCRIPTION
PAGE: DETAIL	PS: PEX_INPUT, 12V_EXT_INPUT, FILTERING

NVIDIA CORPORATION  
 2701 SAN TOMAS EXPRESSWAY  
 SANTA CLARA, CA 95050, USA

NV_PN	600-1G161-BASE-200
PCB REV	PG161-600
BOM REV	A



PAGE	35 OF 42
DATE	06/DEC/2018



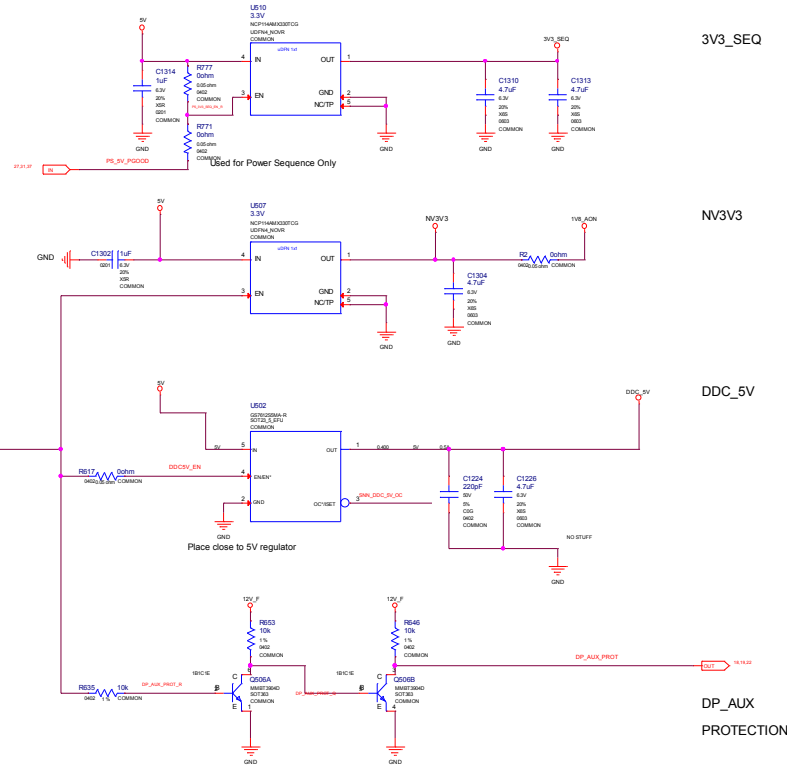
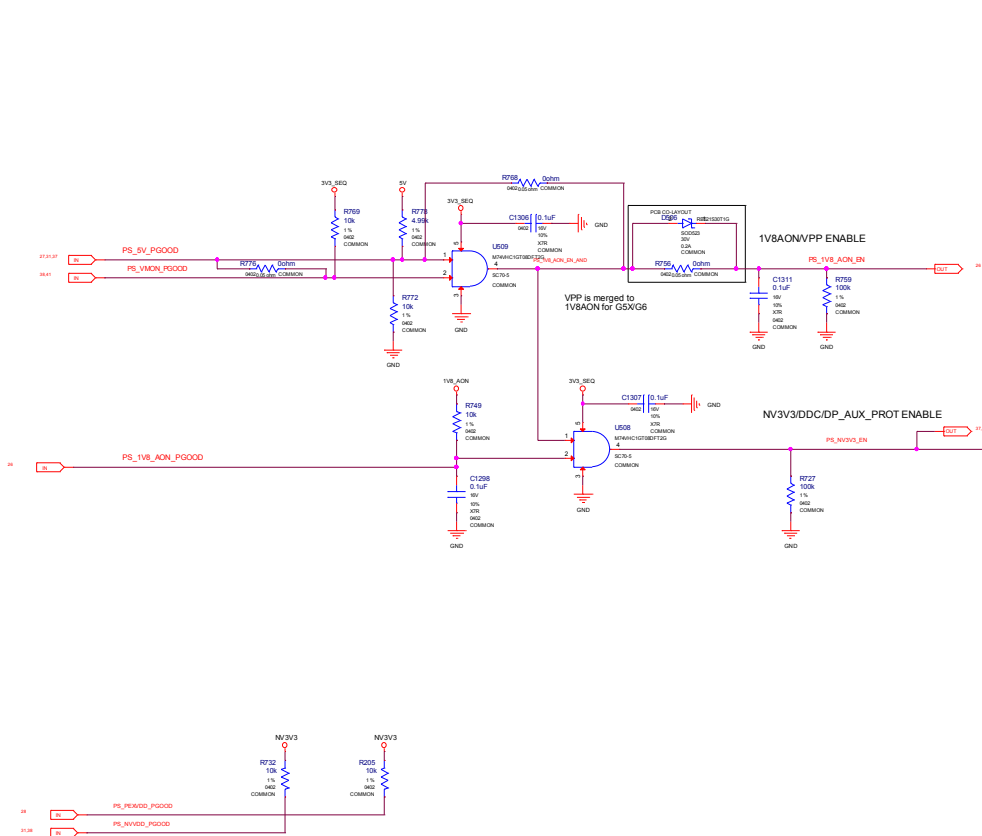
GPIO12_LOW_PERF*	GPU SPEED
0	Slow
1	Normal

ALL NVIDIA DESIGN SPECIFICATIONS, REFERENCE SPECIFICATIONS, REFERENCE BOARDS, FILES, DRAWINGS, DIAGNOSTICS, LISTS AND OTHER DOCUMENTS OR INFORMATION (TOGETHER AND SEPARATELY, "MATERIALS") ARE BEING PROVIDED "AS IS". THE MATERIALS MAY CONTAIN KNOWN AND UNKNOWN VIOLATIONS OR DEVIATIONS OF INDUSTRY STANDARDS AND SPECIFICATIONS. NVIDIA MAKES NO WARRANTIES, EXPRESSED, IMPLIED, STATUTORY OR OTHERWISE WITH RESPECT TO THE MATERIALS OR OTHERWISE, AND EXPRESSLY DISCLAIMS ALL IMPLIED WARRANTIES INCLUDING, WITHOUT LIMITATION, THE WARRANTIES OF DESIGN, OF MERCHANTABILITY OR FITNESS FOR A PARTICULAR PURPOSE, OR ARISING FROM A COURSE OF DEALING, TRADE USAGE, TRADE PRACTICE, OR INDUSTRY STANDARDS.

ASSEMBLY	ASSEMBLY DESCRIPTION
PAGE DETAIL	PS: CURRENT STEERING/LP/HOT-UNPLUG

NVIDIA CORPORATION			
2701 SAN TOMAS EXPRESSWAY			
SANTA CLARA, CA 95050, USA			
INV_P/N	600-1G161-BASE-200	PAGE	36 OF 42
PCB REV	PG161-B00	DATE	06-DEC-2018
BCM REV	A		






ALL NVIDIA DESIGN SPECIFICATIONS, REFERENCE BOARDS, FILES, DRAWINGS, DIAGNOSTICS, LISTS AND OTHER DOCUMENTS (TOGETHER AND SEPARATELY, "MATERIALS") ARE BEING PROVIDED "AS IS". THE MATERIALS MAY CONTAIN KNOWN AND UNKNOWN DEFICIENCIES OR DEVIATIONS OF INDUSTRY STANDARDS AND SPECIFICATIONS. NVIDIA MAKES NO WARRANTIES, EXPRESSED, IMPLIED, STATUTORY OR OTHERWISE WITH RESPECT TO THE MATERIALS OR OTHERWISE, AND EXPRESSLY DISCLAIMS ALL WARRANTIES INCLUDING, WITHOUT LIMITATION, THE WARRANTIES OF DESIGN, TRADE USAGE, TRADE PRACTICE OR FITNESS FOR A PARTICULAR PURPOSE, OR ARISING FROM A COURSE OF DEALING, TRADE USAGE, TRADE PRACTICE OR INDUSTRY CUSTOMARY PRACTICES.

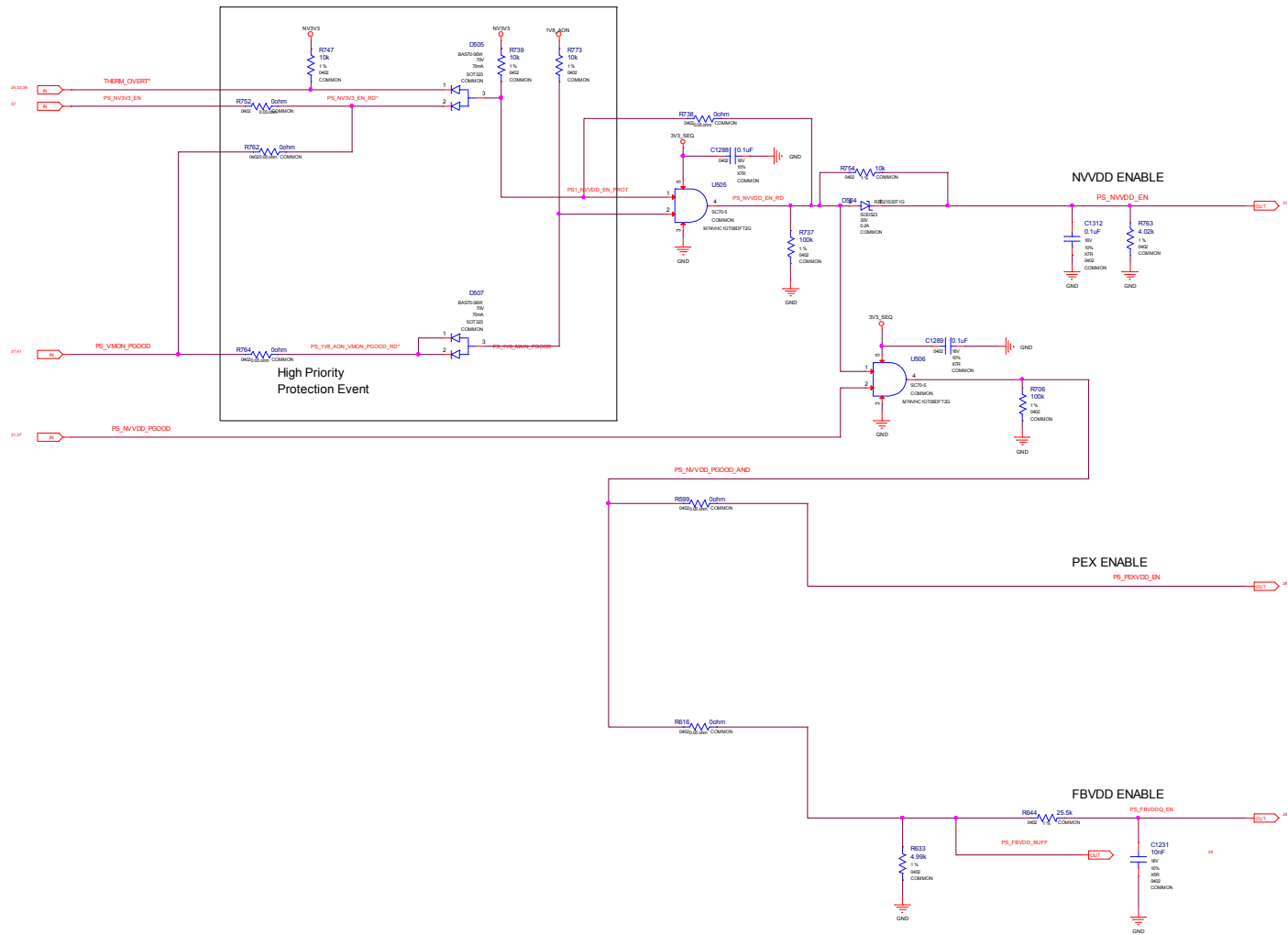
ASSEMBLY	<ASSEMBLY_DESCRIPTION>
PAGE DETAIL	SEQ_1V8_AON_3V3_SEQ_NV3V3_DDC_5V_DP_AUX_PROT

**NVIDIA CORPORATION**  
 2701 SAN TOMAS EXPRESSWAY  
 SANTA CLARA, CA 95050, USA

NV_PN	600-1G161-BASE-200
PCB REV	PG161-800
BOM REV	A


PAGE 37 OF 42  
 DATE 06 DEC 2018

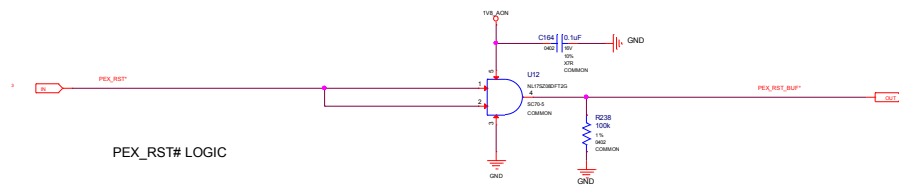
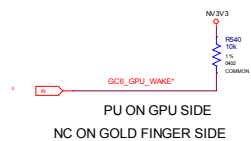





ALL NVIDIA DESIGN SPECIFICATIONS, REFERENCE SPECIFICATIONS, REFERENCE BOARDS, FILES, DRAWINGS, DIAGNOSTICS, LISTS AND OTHER DOCUMENTS OR INFORMATION (TOGETHER AND SEPARATELY, "MATERIALS") ARE BEING PROVIDED "AS IS". THE MATERIALS MAY CONTAIN KNOWN AND UNKNOWN VIOLATIONS OR DEVIATIONS OF INDUSTRY STANDARDS AND SPECIFICATIONS. NVIDIA MAKES NO WARRANTIES, EXPRESSED, IMPLIED, STATUTORY OR OTHERWISE WITH RESPECT TO THE MATERIALS OR OTHERWISE, AND EXPRESSLY DISCLAIMS ALL IMPLIED WARRANTIES INCLUDING, WITHOUT LIMITATION, THE WARRANTIES OF DESIGN, OF NONINFRINGEMENT, MERCHANTABILITY OR FITNESS FOR A PARTICULAR PURPOSE, OR ARISING FROM A COURSE OF DEALING, TRADE USAGE, TRADE PRACTICE OR INDUSTRY STANDARDS.

ASSEMBLY	<ASSEMBLY_DESCRIPTION>
PAGE DETAIL	SEQ: NVVDD, PEX, FBVDDQ ENABLE

NVIDIA CORPORATION			
2701 SANTOMAS EXPRESSWAY SANTA CLARA, CA 95050, USA			
NV_PN	600-1G161-BASE-200	PAGE	38 OF 42
PCB REV	PG181-800	DATE	06 DEC-2018
BCM REV	A		



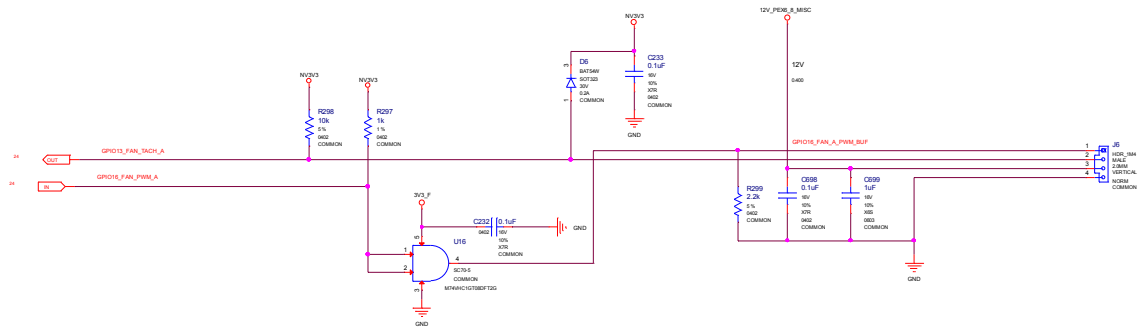
**NVIDIA CORPORATION**  
 2701 SAN TOMAS EXPRESSWAY  
 SANTA CLARA, CA 95050, USA



ASSEMBLY	ASSEMBLY DESCRIPTION
PAGE DETAIL	SEQ: MISC

NV_PN	600-1G161-BASE-200		
PCB REV	PG181-B00	PAGE	39 OF 42
RCM REV	A	DATE	06 DEC 2018

ALL NVIDIA DESIGN SPECIFICATIONS, REFERENCE SPECIFICATIONS, REFERENCE BOARDS, FILES, DRAWINGS, DIAGNOSTICS, LISTS AND OTHER DOCUMENTS OR INFORMATION (TOGETHER AND SEPARATELY, "MATERIALS") ARE BEING PROVIDED "AS IS". THE MATERIALS MAY CONTAIN KNOWN AND UNKNOWN VIOLATIONS OR DEVIATIONS OF INDUSTRY STANDARDS AND SPECIFICATIONS. NVIDIA MAKES NO WARRANTIES, EXPRESSED, IMPLIED, STATUTORY OR OTHERWISE WITH RESPECT TO THE MATERIALS OR OTHERWISE, AND EXPRESSLY DISCLAIMS ALL IMPLIED WARRANTIES INCLUDING, WITHOUT LIMITATION, THE WARRANTIES OF DESIGN, MERCHANTABILITY OR FITNESS FOR A PARTICULAR PURPOSE, OR ARISING FROM A COURSE OF DEALING, TRADE USAGE, TRADE PRACTICE, OR INDUSTRY STANDARDS.



ALL NVIDIA DESIGN SPECIFICATIONS, REFERENCE SPECIFICATIONS, REFERENCE BOARDS, FILES, DRAWINGS, DIAGNOSTICS, LISTS AND OTHER DOCUMENTS OR INFORMATION (TOGETHER AND SEPARATELY, "MATERIALS") ARE BEING PROVIDED "AS IS". THE MATERIALS MAY CONTAIN KNOWN AND UNKNOWN VIOLATIONS OR DEVIATIONS OF INDUSTRY STANDARDS AND SPECIFICATIONS. NVIDIA MAKES NO WARRANTIES, EXPRESSED, IMPLIED, STATUTORY OR OTHERWISE WITH RESPECT TO THE MATERIALS OR OTHERWISE, AND EXPRESSLY DISCLAIMS ALL IMPLIED WARRANTIES INCLUDING, WITHOUT LIMITATION, THE WARRANTIES OF DESIGN, NON-INFRINGEMENT, MERCHANTABILITY OR FITNESS FOR A PARTICULAR PURPOSE, OR ARISING FROM A COURSE OF DEALING, TRADE USAGE, TRADE PRACTICE, OR INDUSTRY STANDARDS.

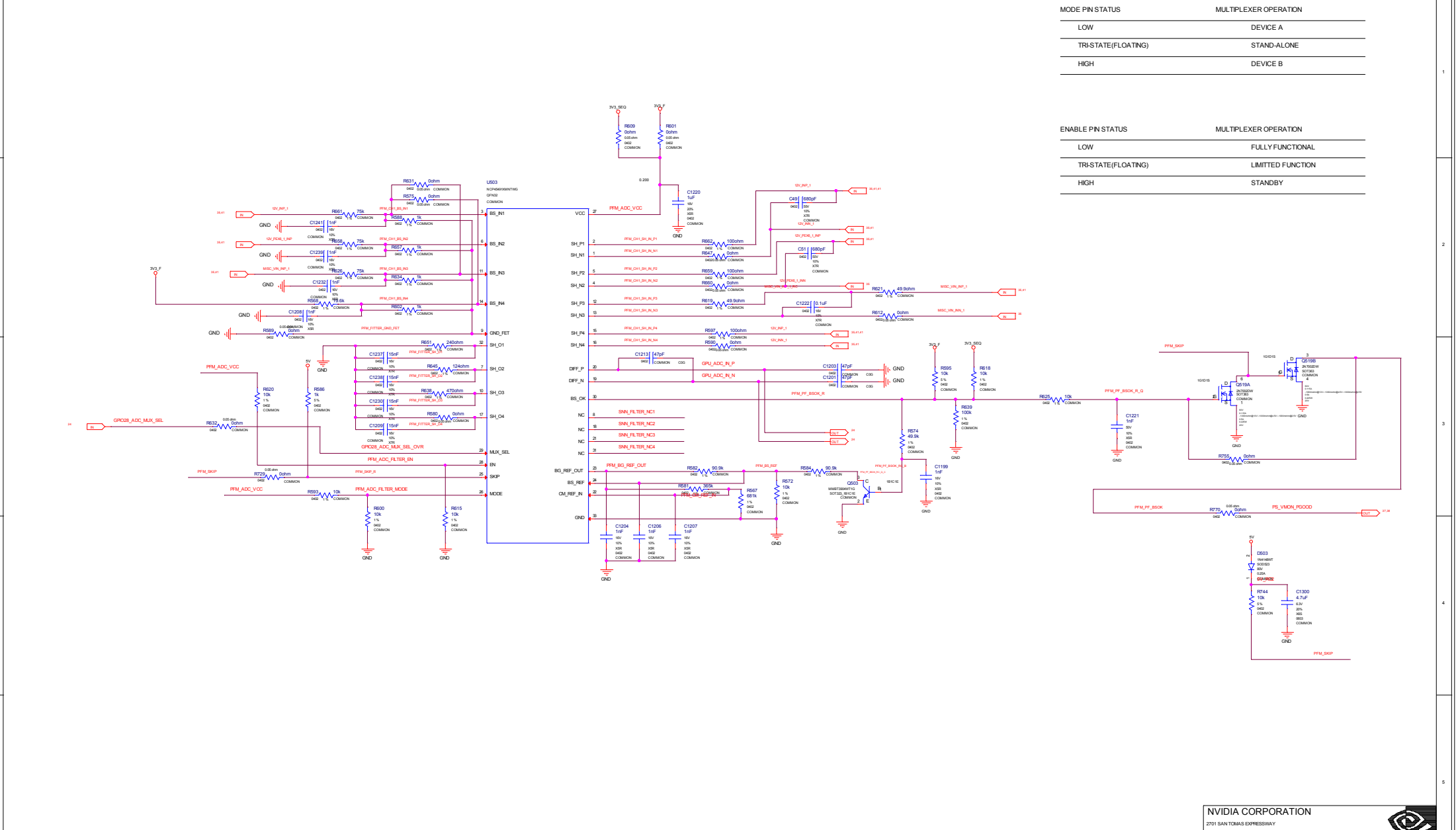
ASSEMBLY	ASSEMBLY DESCRIPTION
PAGE DETAIL	FAN

**NVIDIA CORPORATION**  
 2701 SAN TOMAS EXPRESSWAY  
 SANTA CLARA, CA 95050, USA



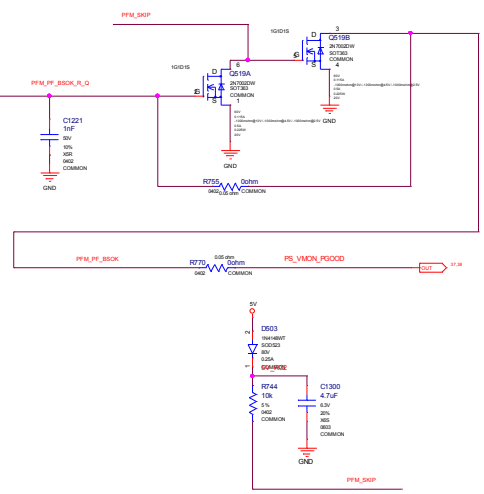
NV_PN	600-1G161-BASE-200		
PCB REV	PG161-B00	PAGE	40 OF 42
BCM REV	A	DATE	06-DEC-2018





MODE PN STATUS	MULTIPLEXER OPERATION
LOW	DEVICE A
TRI-STATE(FLOATING)	STAND-ALONE
HIGH	DEVICE B

ENABLE PN STATUS	MULTIPLEXER OPERATION
LOW	FULLY FUNCTIONAL
TRI-STATE(FLOATING)	LIMITED FUNCTION
HIGH	STANDBY



ASSEMBLY	ASSEMBLY DESCRIPTION
PAGE:02/04	PS_CVRM_PWR SENSE

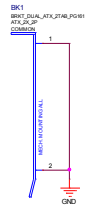
ALL NVIDIA DESIGN SPECIFICATIONS, REFERENCE BOARDS, FILES, DRAWINGS, DIAGNOSTIC LISTS AND OTHER DOCUMENTS OR INFORMATION (TOGETHER AND SEPARATELY, "MATERIALS") ARE BEING PROVIDED "AS IS". THE MATERIALS MAY CONTAIN KNOWN AND UNKNOWN VIOLATIONS OR DEVIATIONS OF INDUSTRY STANDARDS AND SPECIFICATIONS. NVIDIA MAKES NO WARRANTIES, EXPRESSED, IMPLIED, STATUTORY, OR OTHERWISE WITH RESPECT TO THE MATERIALS OR OTHERWISE, AND EXPRESSLY DISCLAIMS ALL IMPLIED WARRANTIES INCLUDING, WITHOUT LIMITATION, THE WARRANTIES OF DESIGN, MERCHANTABILITY OR FITNESS FOR A PARTICULAR PURPOSE, OR ARISING FROM A COURSE OF DEALING, TRADE USAGE, TRADE PRACTICE, OR INDUSTRY STANDARDS.

**NVIDIA CORPORATION**  
 2701 SAN TOMAS EXPRESSWAY  
 SANTA CLARA, CA 95050, USA

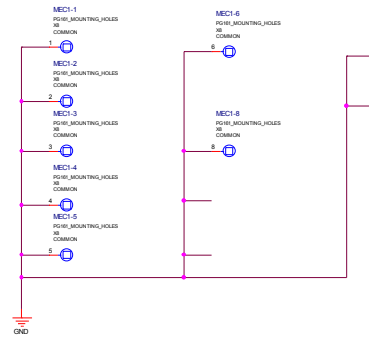
Nv_PN	600-1G161-BASE-200
PCB REV	PG161-800
BCM REV	A

PAGE 41 OF 42  
 DATE 06/DEC/2018

Bracket:



MOUNTING HOLES FOR HS:



BACK STIFFENER:



EMI Clip Options:



ASSEMBLY	ASSEMBLY_DESCRIPTION
PAGE:DETAIL	MECH

NVIDIA CORPORATION			
2701 SAN TOMAS EXPRESSWAY SANTA CLARA, CA 95050, USA			
NV_PN	600-1G161-BASE-200	PAGE	42 OF 42
PCB REV	PG161-600	DATE	06/DEC/2018
BOM REV	A		

ALL NVIDIA DESIGN SPECIFICATIONS, REFERENCE SPECIFICATIONS, REFERENCE BOARDS, FILES, DRAWINGS, DIAGNOSTIC LISTS AND OTHER DOCUMENTS OR INFORMATION (TOGETHER AND SEPARATELY, "MATERIALS") ARE BEING PROVIDED "AS IS". THE MATERIALS MAY CONTAIN KNOWN AND UNKNOWN VIOLATIONS OR DEVIATIONS OF INDUSTRY STANDARDS AND SPECIFICATIONS. NVIDIA MAKES NO WARRANTIES, EXPRESSED, IMPLIED, STATUTORY OR OTHERWISE WITH RESPECT TO THE MATERIALS OR OTHERWISE, AND EXPRESSLY DISCLAIMS ALL WARRANTIES INCLUDING, WITHOUT LIMITATION, THE WARRANTIES OF DESIGN, MERCHANTABILITY OR FITNESS FOR A PARTICULAR PURPOSE, OR ARISING FROM A COURSE OF DEALING, TRADE USAGE, TRADE PRACTICE OR INDUSTRY STANDARD.