

PG165-A00

TU116 6GB GDDR5, 192b, X32 DVI-D + DP + HDMI

TABLE OF CONTENTS

Page Description

| | |
|----|-----------------------------------|
| 1 | Table of Contents |
| 2 | Block Diagram |
| 3 | PCI Express |
| 4 | MEMORY: GPU_FB_AB |
| 5 | MEMORY: FBA[31:0] |
| 6 | MEMORY: FBA[63:32] |
| 7 | MEMORY: FBB[31:0] |
| 8 | MEMORY: FBB[63:32] |
| 9 | MEMORY: GPU_FB_CD |
| 10 | MEMORY: FBC[31:0] |
| 11 | MEMORY: FBC[63:32] |
| 12 | MEMORY: FBD[31:0] |
| 13 | MEMORY: FBD[63:32] |
| 14 | GPU PWR & GND |
| 15 | GPU DECOUPLING 1 |
| 16 | GPU DECOUPLING 2 |
| 17 | IO: IFPAB DVI-D-DL |
| 18 | IO: IFPA DP |
| 19 | IO: IFPB DP |
| 20 | IO: IFPE & IFPF NC |
| 21 | IO: IFPC HDMI |
| 22 | IO: IFPD DP |
| 23 | IO: NVHS INTERFACE AND FRAME LOCK |
| 24 | MISC1: JTAG,GPIO,ADC,I2C,OVERT |
| 25 | MISC2: ROM, XTAL,STRAPS |

Page Description

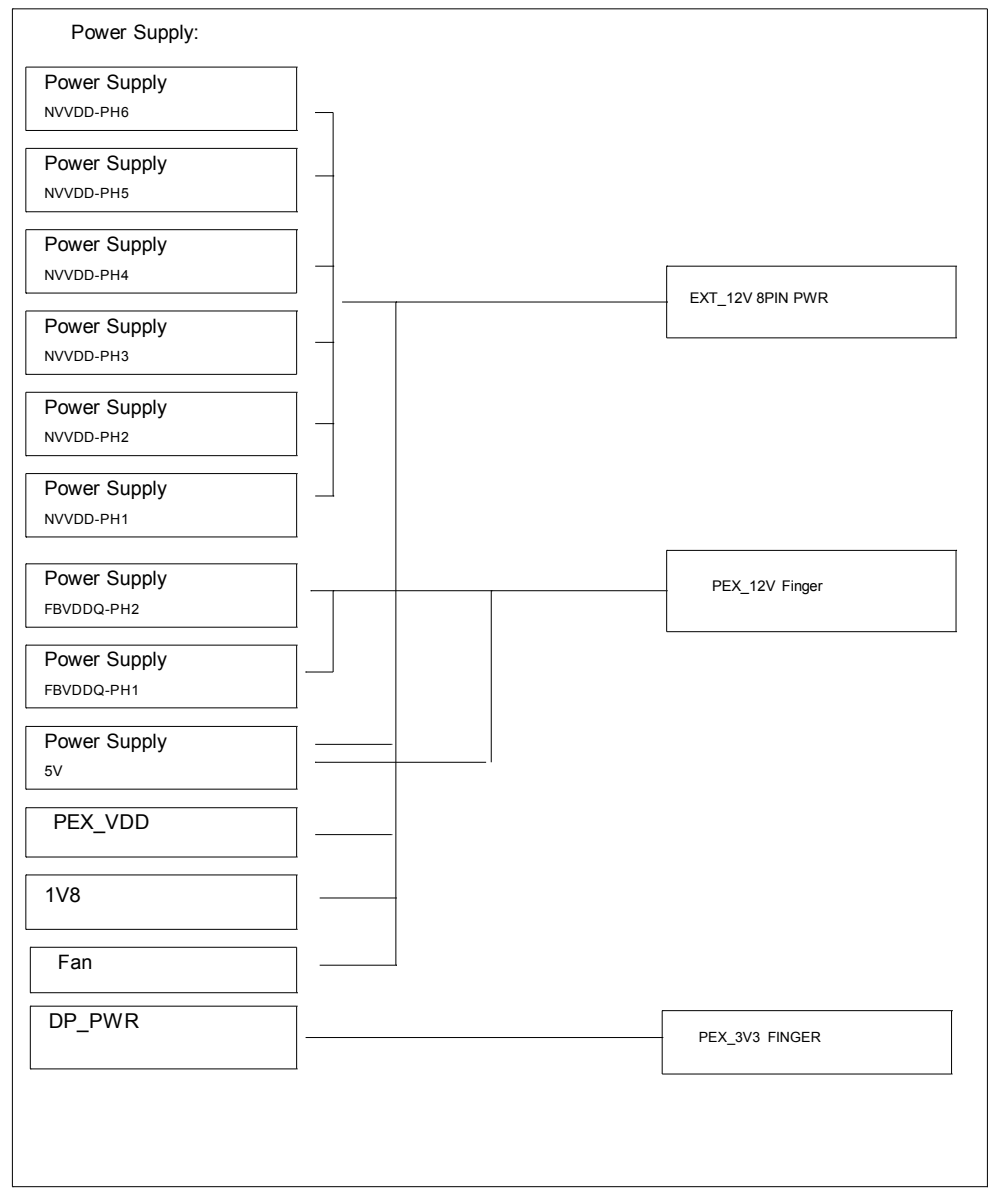
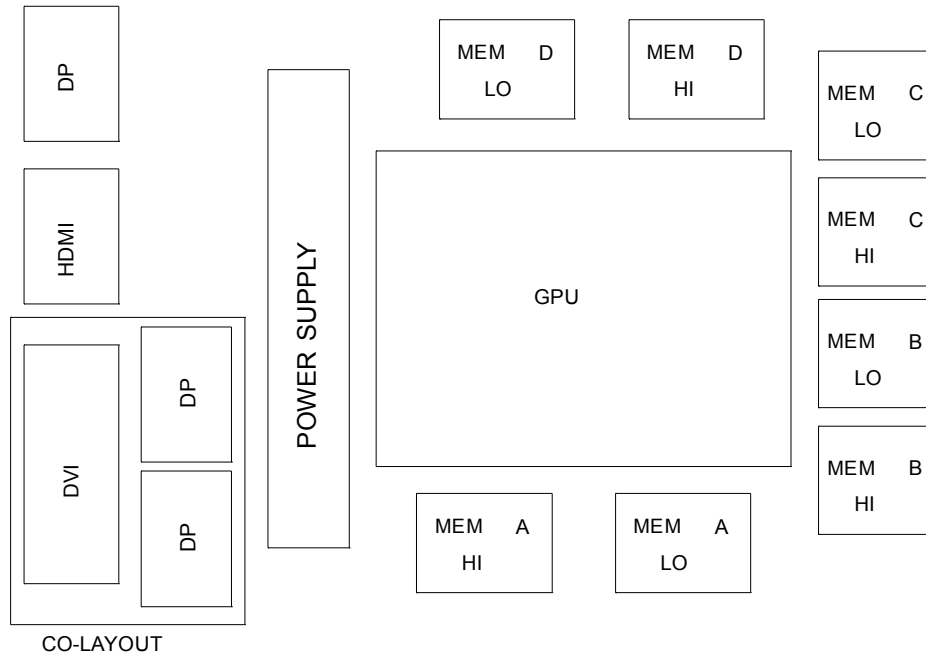
| | |
|----|---|
| 26 | PS: 1V8_AON |
| 27 | PS: 5V |
| 28 | PS: PEXVDD |
| 29 | PS: FBVDDQ |
| 30 | PS: FBVDDQ PH2 |
| 31 | PS: NVVDD Controller |
| 32 | PS: NVVDD Phase 6,4 |
| 33 | PS: NVVDD Phase 3,5 |
| 34 | PS: NVVDD Phase 2,1 |
| 35 | PS: PEX_INPUT, 12V_EXT_INPUT, FILTERING |
| 36 | PS: CURRENT STEERING,UPB,HOT-UNPLUG |
| 37 | SEQ: 1V8_AON, 3V3_SEQ, NV3V3, DDC_5V, DP_AUX_PROT |
| 38 | SEQ: NVVDD, PEX, FBVDDQ ENABLE |
| 39 | SEQ: MISC |
| 40 | FAN |
| 41 | PS: OVRM_PWR SENSE |
| 42 | MECH |

Page Description

| | | | |
|----------------------------|--------------------|------|-------------|
| NVIDIA CORPORATION | | | |
| 2701 SAN TOMAS EXPRESSWAY | | | |
| SANTA CLARA, CA 95050, USA | | | |
| NV_PN | 600-1G165-BASE-000 | | |
| PCB REV | PG165-A00 | PRG# | 1 OF 42 |
| RCM REV | B | DATE | 14-DEC-2018 |



ALL NVIDIA DESIGN SPECIFICATIONS, REFERENCE SPECIFICATIONS, REFERENCE BOARDS, FILES, DRAWINGS, DIAGNOSTICS, LISTS AND OTHER DOCUMENTS OR INFORMATION (TOGETHER AND SEPARATELY, "MATERIALS") ARE BEING PROVIDED "AS IS". THE MATERIALS MAY CONTAIN KNOWN AND UNKNOWN VIOLATIONS OR DEVIATIONS OF INDUSTRY STANDARDS AND SPECIFICATIONS. NVIDIA MAKES NO WARRANTIES, EXPRESSED, IMPLIED, STATUTORY OR OTHERWISE WITH RESPECT TO THE MATERIALS OR OTHERWISE, AND EXPRESSLY DISCLAIMS ALL IMPLIED WARRANTIES INCLUDING, WITHOUT LIMITATION, THE WARRANTIES OF DESIGN, OF NONINFRINGEMENT, MERCHANTABILITY OR FITNESS FOR A PARTICULAR PURPOSE, OR ARISING FROM A COURSE OF DEALING, TRADE USAGE, TRADE PRACTICE, OR INDUSTRY STANDARDS.

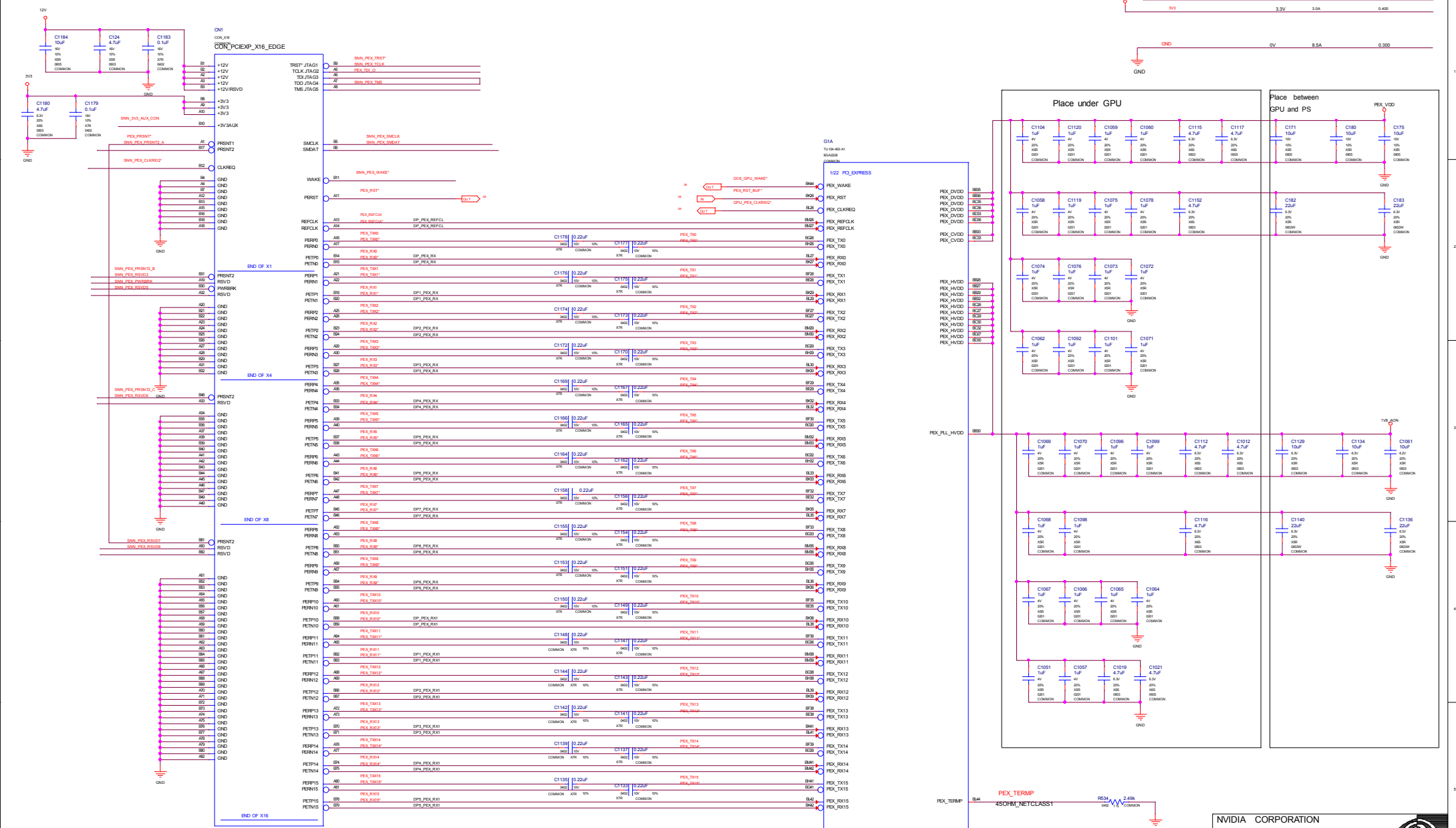


ALL NVIDIA DESIGN SPECIFICATIONS, REFERENCE SPECIFICATIONS, REFERENCE BOARDS, FILES, DRAWINGS, DIAGNOSTICS, LISTS AND OTHER DOCUMENTS OR INFORMATION (TOGETHER AND SEPARATELY, "MATERIALS") ARE BEING PROVIDED "AS IS". THE MATERIALS MAY CONTAIN KNOWN AND UNKNOWN VIOLATIONS OR DEVIATIONS OF INDUSTRY STANDARDS AND SPECIFICATIONS. NVIDIA MAKES NO WARRANTIES, EXPRESSED, IMPLIED, STATUTORY OR OTHERWISE WITH RESPECT TO THE MATERIALS OR OTHERWISE, AND EXPRESSLY DISCLAIMS ALL IMPLIED WARRANTIES INCLUDING, WITHOUT LIMITATION, THE WARRANTIES OF DESIGN, OF NONINFRINGEMENT, MERCHANTABILITY OR FITNESS FOR A PARTICULAR PURPOSE, OR ARISING FROM A COURSE OF DEALING, TRADE USAGE, TRADE PRACTICE, OR INDUSTRY STANDARDS.

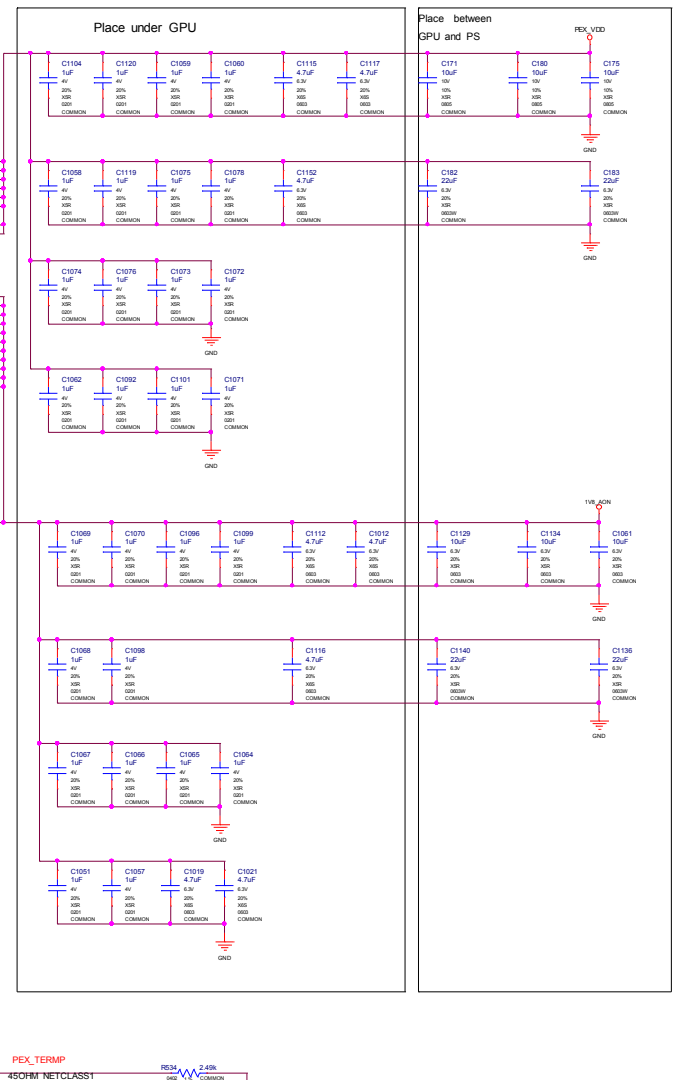
| | |
|------------|----------------------|
| ASSEMBLY | ASSEMBLY DESCRIPTION |
| PCB DETAIL | Block Diagram |

| | | | |
|----------------------------|--------------------|------|-------------|
| NVIDIA CORPORATION | | | |
| 2701 SAN TOMAS EXPRESSWAY | | | |
| SANTA CLARA, CA 95050, USA | | | |
| NV_PN | 600-1G165-BASE-000 | FRGE | 2 OF 42 |
| PCB REV | PG165-A00 | DATE | 14-DEC-2018 |
| BCW REV | B | | |





| VOLTAJE | MAX_CURRENT | MIN_WIDTH |
|---------|-------------|-----------|
| 12V | 8.5A | 0.480 |
| 5V | 3.0A | 0.480 |
| 3.3V | 3.0A | 0.480 |



| ASSEMBLY | DESCRIPTION |
|-------------|-------------|
| FRGE DETAIL | PCI Express |

NVIDIA CORPORATION
 2701 SAN TOMAS EXPRESSWAY
 SANTA CLARA, CA 95050, USA

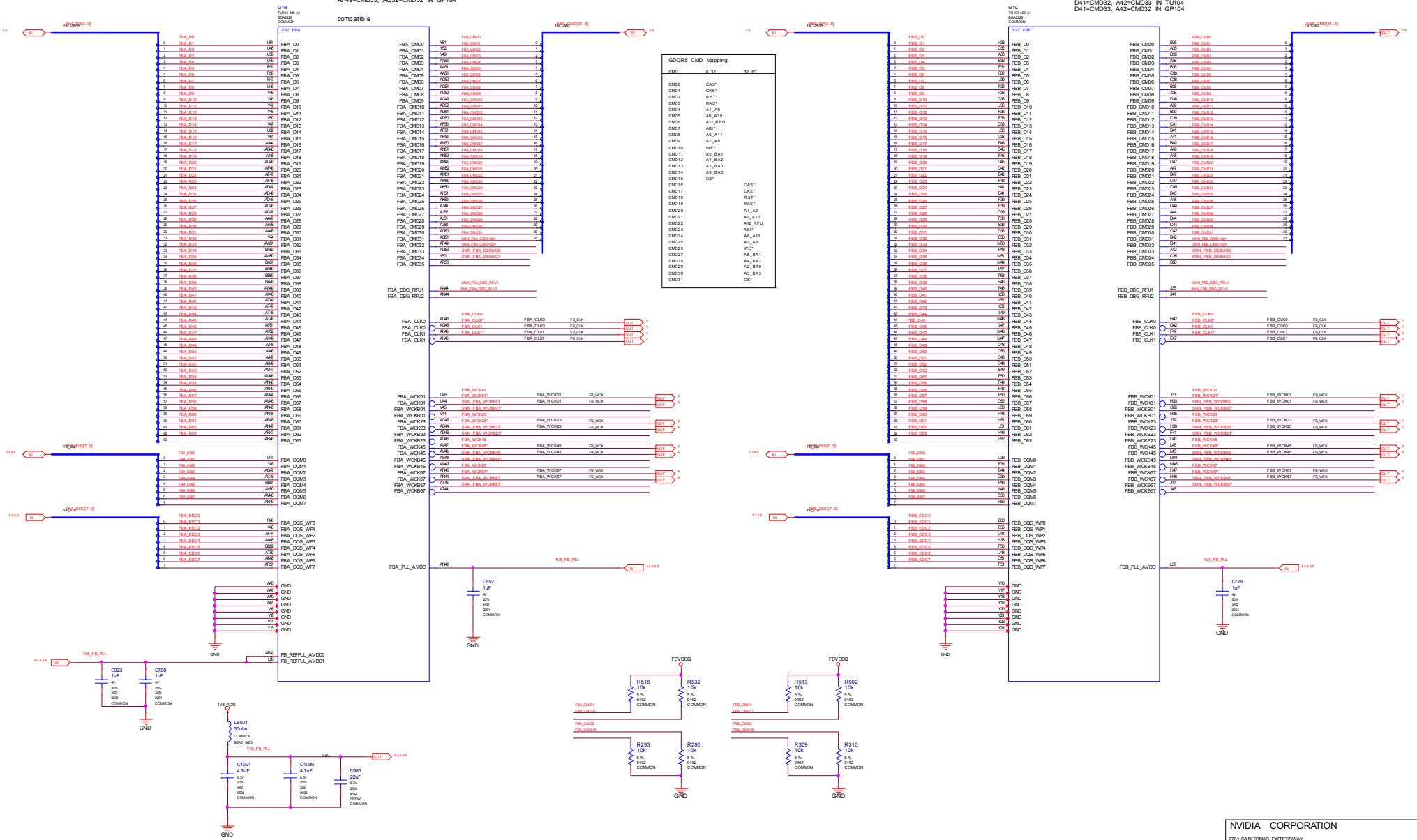
NV_PN 600-1G165-BASE-000

| | | | |
|---------|-----------|------|-------------|
| PCB REV | PG165-A00 | FRGE | 3 OF 42 |
| BCW REV | 8 | DATE | 14-DEC-2018 |

ALL NVIDIA DESIGN SPECIFICATIONS, REFERENCE BOARDS, FILES, DRAWINGS, DIAGNOSTICS, LISTS AND OTHER DOCUMENTS (TOGETHER AND SEPARATELY, "MATERIALS") ARE BEING PROVIDED "AS IS". THE MATERIALS MAY CONTAIN KNOWN AND UNKNOWN VIOLATIONS OR DEVIATIONS OF INDUSTRY STANDARDS AND SPECIFICATIONS. NVIDIA MAKES NO WARRANTIES, EXPRESSED, IMPLIED, STATUTORY OR OTHERWISE WITH RESPECT TO THE MATERIALS OR OTHERWISE, AND EXPRESSLY DISCLAIMS ALL IMPLIED WARRANTIES INCLUDING, WITHOUT LIMITATION, THE WARRANTIES OF DESIGN, NONINFRINGEMENT, MERCHANTABILITY OR FITNESS FOR A PARTICULAR PURPOSE, OR ARISING FROM A COURSE OF DEALING, TRADE USAGE, TRADE PRACTICE, OR INDUSTRY STANDARDS.


AF49+CMD32, AQ52+CMD33 IN TU104
AF49+CMD33, AQ52+CMD32 IN GP104

D41+CMD32, A42+CMD33 IN TU104
D41+CMD33, A42+CMD32 IN GP104



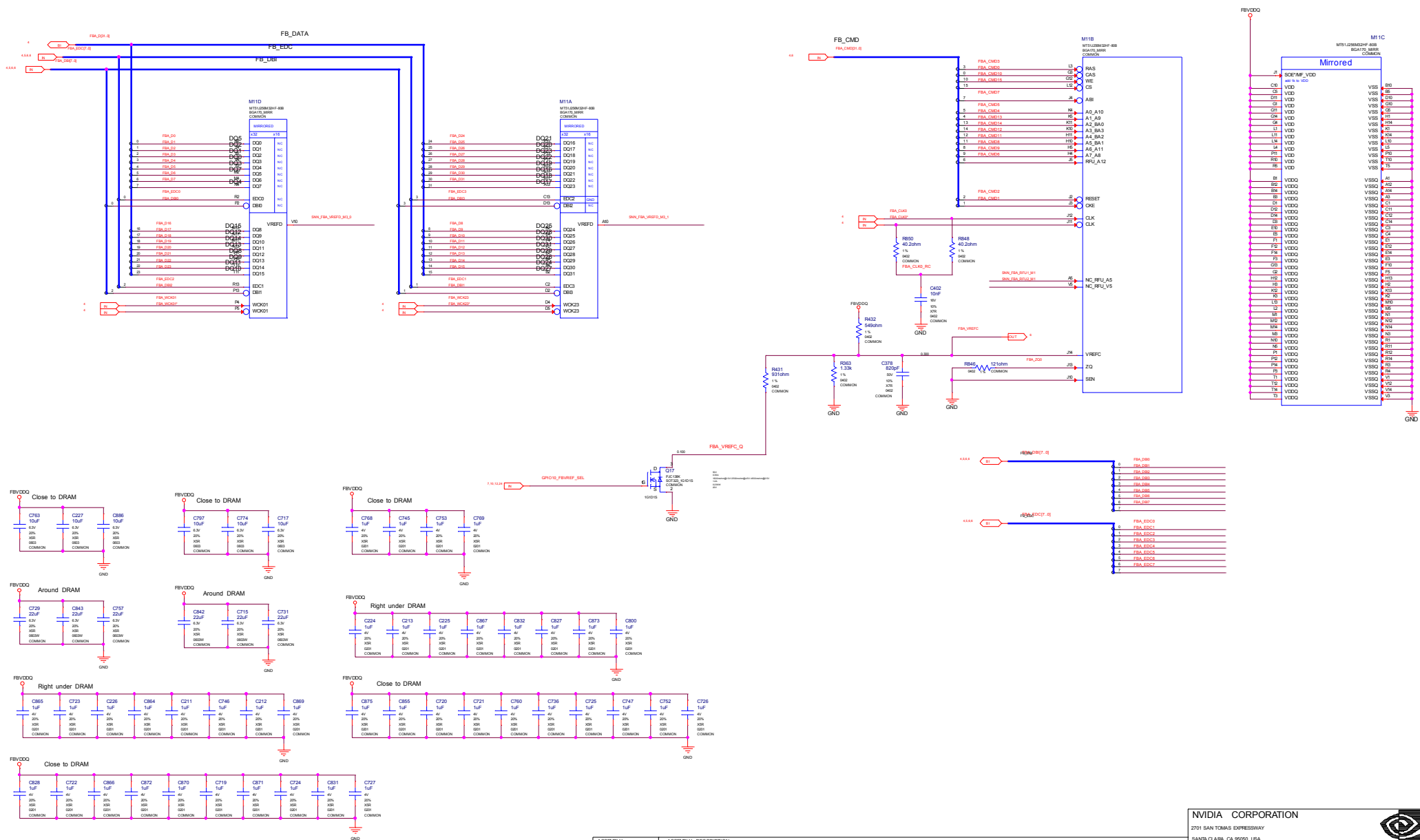
ALL NVIDIA DESIGN SPECIFICATIONS, REFERENCE SPECIFICATIONS, REFERENCE BOARDS, FILES, DRAWINGS, DIAGNOSTICS, LISTS AND OTHER DOCUMENTS OR INFORMATION (TOGETHER AND SEPARATELY, "MATERIALS") ARE BEING PROVIDED "AS IS". THE MATERIALS MAY CONTAIN KNOWN AND UNKNOWN VIOLATIONS OR DEVIATIONS OF INDUSTRY STANDARDS AND SPECIFICATIONS. NVIDIA MAKES NO WARRANTIES, EXPRESSED, IMPLIED, STATUTORY OR OTHERWISE, WITH RESPECT TO THE MATERIALS OR OTHERWISE, AND EXPRESSLY DISCLAIMS ALL IMPLIED WARRANTIES INCLUDING, WITHOUT LIMITATION, THE WARRANTIES OF DESIGN, NONINFRINGEMENT, MERCHANTABILITY OR FITNESS FOR A PARTICULAR PURPOSE, OR ARISING FROM A COURSE OF DEALING, TRADE USAGE, TRADE PRACTICE, OR INDUSTRY STANDARDS.

NVIDIA CORPORATION
2701 SAN TOMAS EXPRESSWAY
SANTA CLARA, CA 95050, USA



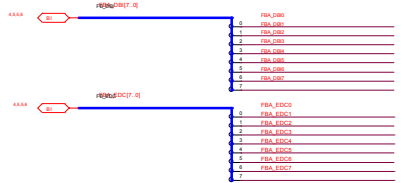
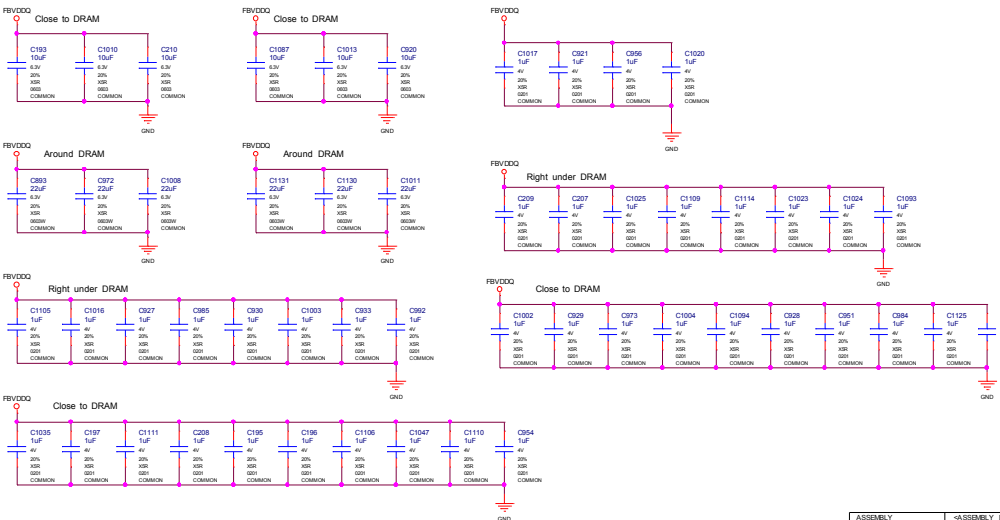
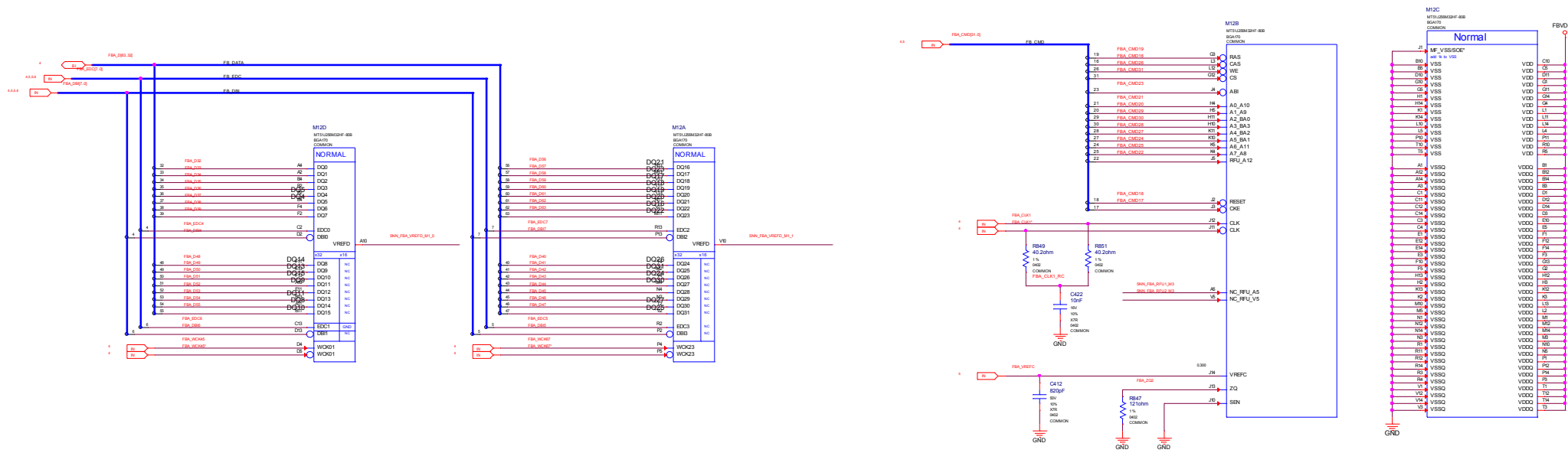
ASSEMBLY DESCRIPTION: MEMORY: GPU_FB_A/B

| | | | |
|---------|--------------------|------|-------------|
| NV_PN | 600-1G165-BASE-000 | PKG# | 4 OF 42 |
| FCB REV | PG165-A00 | DATE | 14-DEC-2018 |
| BCM REV | B | | |



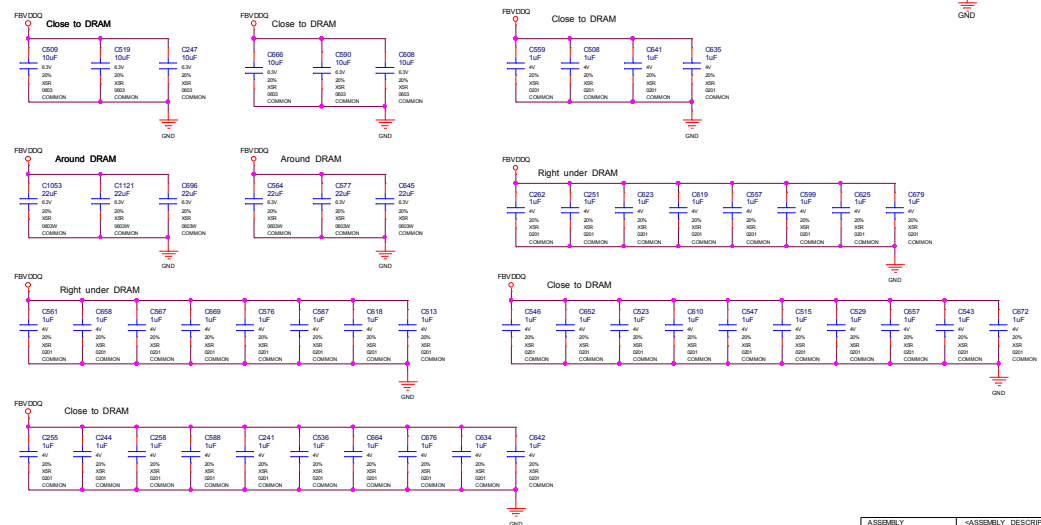
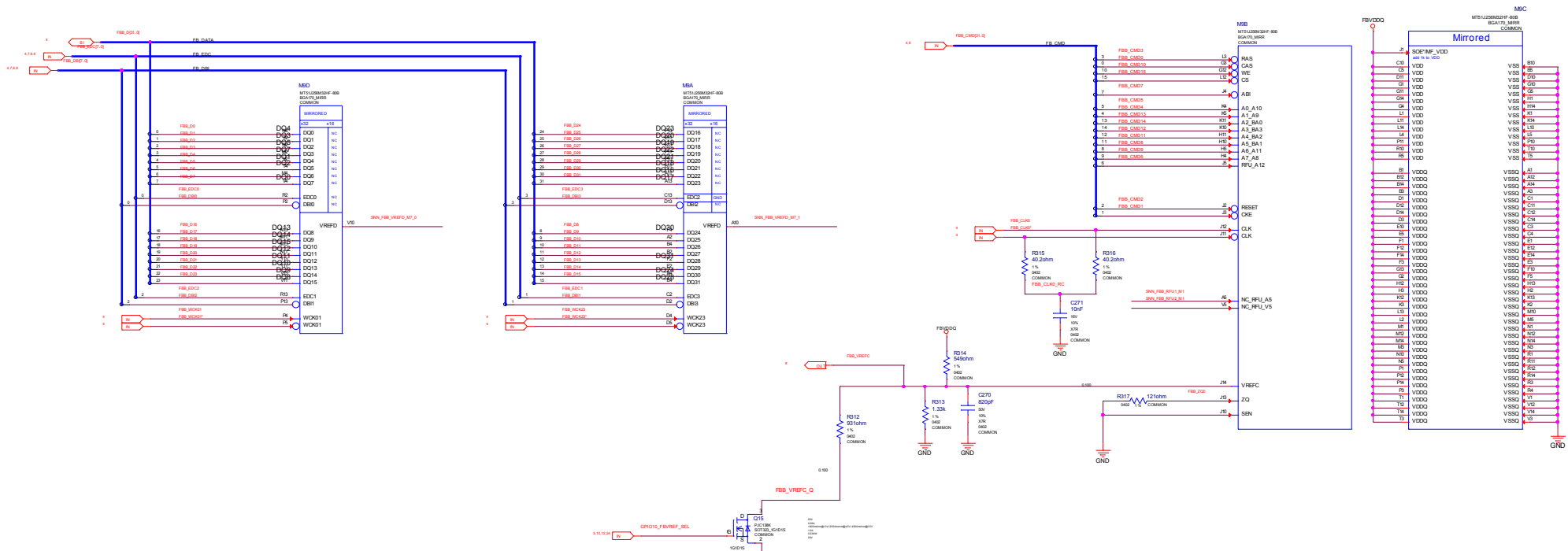
| | |
|--|--------------------------------------|
| NVIDIA CORPORATION 2701 SAN TOMAS EXPRESSWAY SANTA CLARA, CA 95050, USA | |
| NV_PN PCB REV BOM REV | 600-1G165-BASE-000 PG165-ADD B |
| PRGE DATE | 5 OF 42 14-DEC-2018 |

ALL NVIDIA DESIGN SPECIFICATIONS, REFERENCE SPECIFICATIONS, REFERENCE BOARDS, FILES, DRAWINGS, DIAGNOSTICS, LISTS AND OTHER DOCUMENTS (TOGETHER AND SEPARATELY, "MATERIALS") ARE BEING PROVIDED "AS IS". THE MATERIALS MAY CONTAIN KNOWN AND UNKNOWN VIOLATIONS OR DEVIATIONS OF INDUSTRY STANDARDS AND SPECIFICATIONS. NVIDIA MAKES NO WARRANTIES, EXPRESSED, IMPLIED, STATUTORY OR OTHERWISE WITH RESPECT TO THE MATERIALS OR OTHERWISE, AND EXPRESSLY DISCLAIMS ALL IMPLIED WARRANTIES INCLUDING, WITHOUT LIMITATION, THE WARRANTIES OF DESIGN, OF NONINFRINGEMENT, MERCHANTABILITY OR FITNESS FOR A PARTICULAR PURPOSE, OR ARISING FROM A COURSE OF DEALING, TRADE USAGE, TRADE PRACTICE, OR INDUSTRY STANDARDS.



| | | | |
|---|--------------------|------|-------------|
| NVIDIA CORPORATION | | | |
| 2701 SAN TOMAS EXPRESSWAY SANTA CLARA, CA 95050, USA | | | |
| NV_PN | 600-1G165-BASE-000 | PKG | 8 OF 42 |
| PCB REV | PG165-A00 | DATE | 14-DEC-2018 |
| BCM REV | B | | |

ALL NVIDIA DESIGN SPECIFICATIONS, REFERENCE SPECIFICATIONS, REFERENCE BOARDS, FILES, DRAWINGS, DIAGNOSTICS, LISTS AND OTHER DOCUMENTS (TOGETHER AND SEPARATELY, "MATERIALS") ARE BEING PROVIDED "AS IS". THE MATERIALS MAY CONTAIN KNOWN AND UNKNOWN DEFICIENCIES OR DEVIATIONS OF INDUSTRY STANDARDS AND SPECIFICATIONS. NVIDIA MAKES NO WARRANTIES, EXPRESSED, IMPLIED, STATUTORY OR OTHERWISE, WITH RESPECT TO THE MATERIALS OR OTHERWISE, AND EXPRESSLY DISCLAIMS ALL IMPLIED WARRANTIES INCLUDING, WITHOUT LIMITATION, THE WARRANTIES OF DESIGN, OF NON-INFRINGEMENT, MERCHANTABILITY OR FITNESS FOR A PARTICULAR PURPOSE, OR ARISING FROM A COURSE OF DEALING, TRADE USAGE, TRADE PRACTICE, OR INDUSTRY STANDARDS.



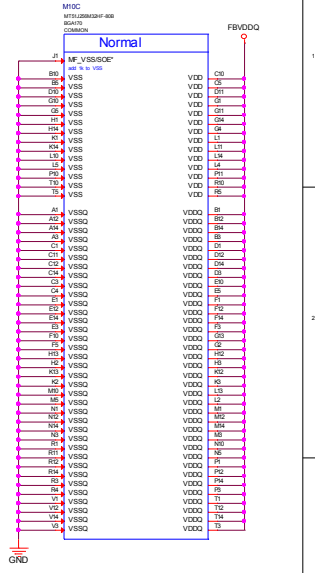
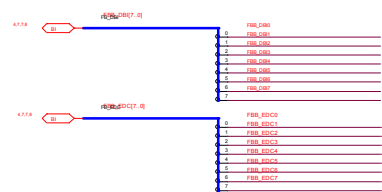
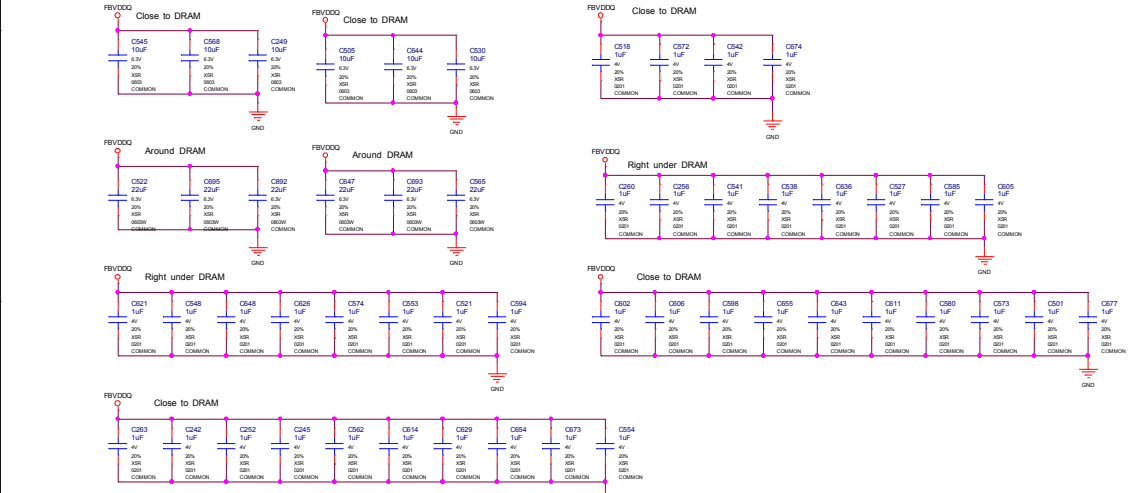
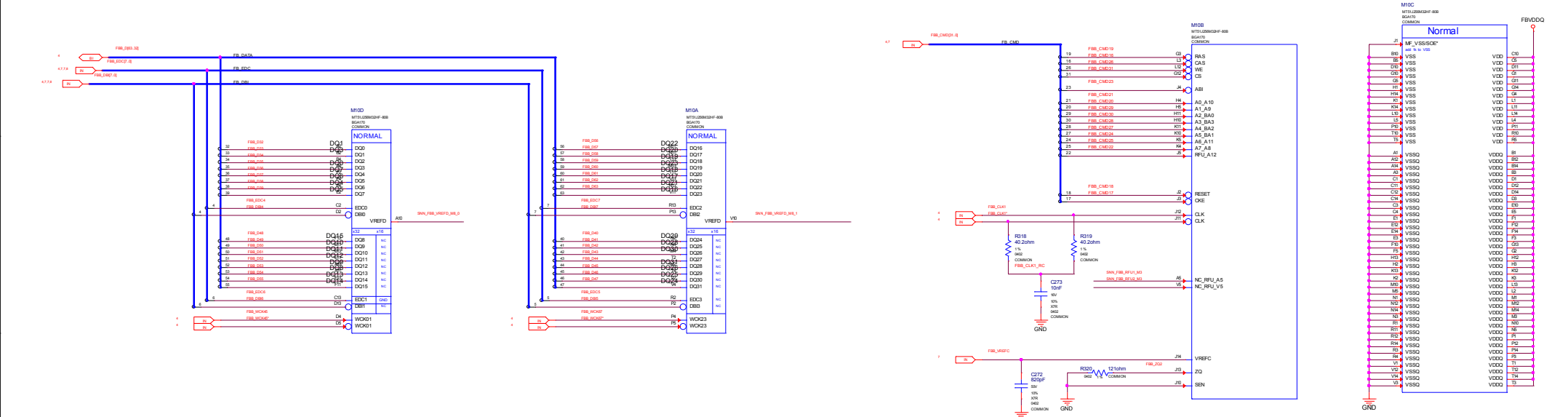
VIDIA CORPORATION
 2701 SAN TOMAS EXPRESSWAY
 SANTA CLARA, CA 95050, USA


ASSEMBLY: <ASSEMBLY_DESCRIPTION>
 PAGE DETAIL: MEMORY_FBB[1:0]

| | |
|---------|--------------------|
| NV_PN | 600-1G165-BASE-000 |
| PCB REV | PG165-ADD |
| RCM REV | B |

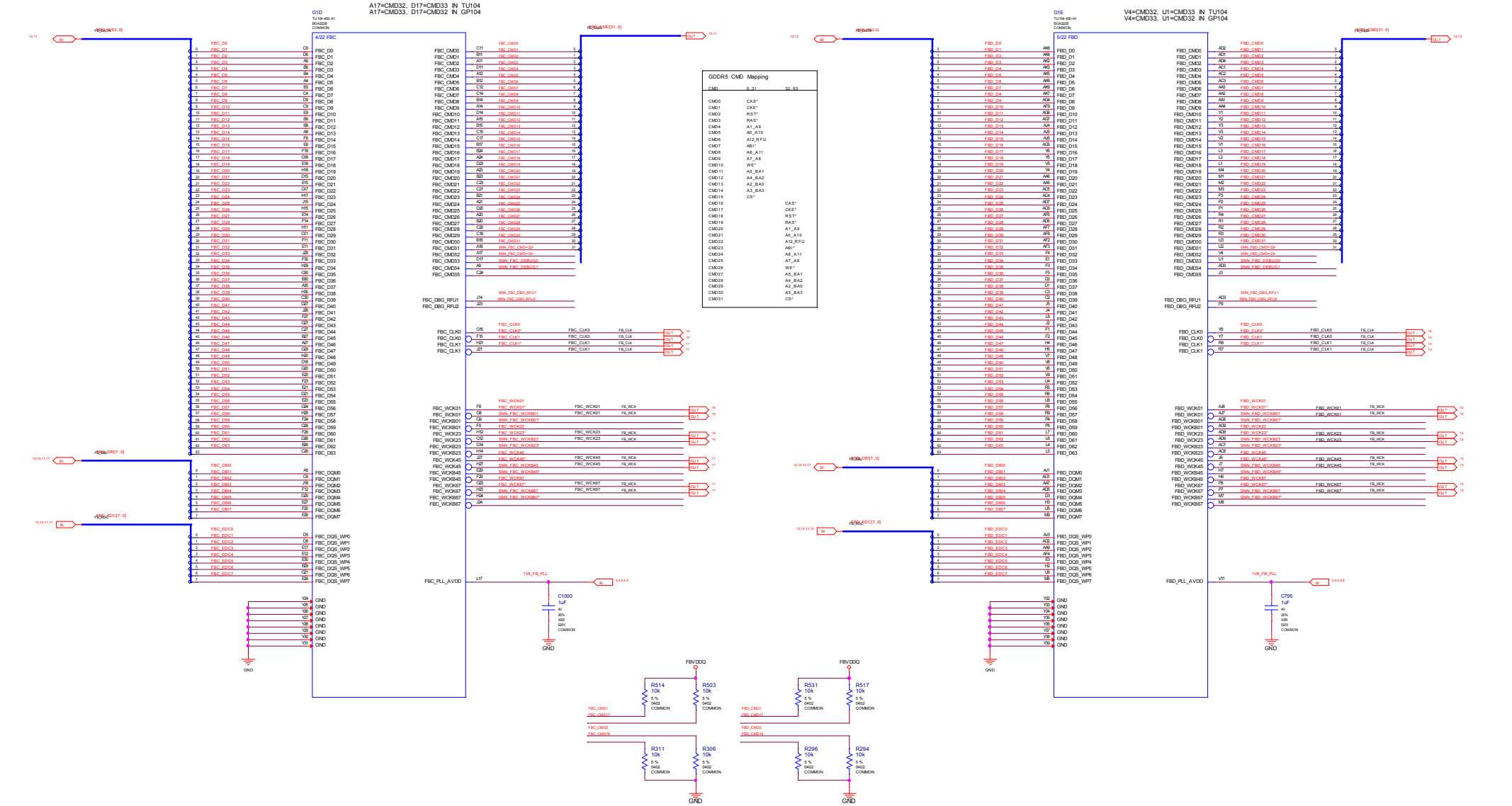
7 OF 42
 14 DEC 2018

ALL NVIDIA DESIGN SPECIFICATIONS, REFERENCE SPECIFICATIONS, REFERENCE BOARDS, FILES, DRAWINGS, DIAGNOSTICS, LISTS AND OTHER DOCUMENTS (TOGETHER AND SEPARATELY, "MATERIALS") ARE BEING PROVIDED "AS IS" THE MATERIALS MAY CONTAIN KNOWN AND UNKNOWN VIOLATIONS OR DEVIATIONS OF INDUSTRY STANDARDS AND SPECIFICATIONS. NVIDIA MAKES NO WARRANTIES, EXPRESSED OR IMPLIED, STATUTORY OR OTHERWISE, WITH RESPECT TO THE MATERIALS AND EXPRESSLY DISCLAIMS ALL IMPLIED WARRANTIES INCLUDING, WITHOUT LIMITATION, THE WARRANTIES OF DESIGN, OF NON-INFRINGEMENT, MERCHANTABILITY OR FITNESS FOR A PARTICULAR PURPOSE, OR ARISING FROM A COURSE OF DEALING, TRADE USAGE, TRADE PRACTICE, OR INDUSTRY STANDARDS.



| | | | | | | | |
|--------------------|------|------------------------|-------------|---------------------------|-------------|---|---------|
| ASSEMBLY | | -ASSEMBLY DESCRIPTION- | | NVIDIA CORPORATION | |  | |
| PAGE DETAIL | | MEMORY: FB(0-32) | | 7101 SAN TOMAS EXPRESSWAY | | SANTA CLARA, CA 95050, USA | |
| REV | DATE | REV | DATE | REV | DATE | REV | DATE |
| FCB REV BCM REV | B | PG165-ADD | 14-DEC-2018 | 800-1G165-BASE-000 | 14-DEC-2018 | FCGE | 8 OF 42 |

ALL NVIDIA DESIGN SPECIFICATIONS, REFERENCE SPECIFICATIONS, REFERENCE BOARDS, FILES, DRAWINGS, DIAGNOSTICS, LISTS AND OTHER DOCUMENTS (TOGETHER AND SEPARATELY, "MATERIALS") ARE BEING PROVIDED "AS IS" BY THE MATERIALS FAY. NVIDIA MAKES NO WARRANTIES, EXPRESSED, IMPLIED, STATUTORY OR OTHERWISE, WITH RESPECT TO THE MATERIALS OR OTHERWISE, AND EXPRESSLY DISCLAIMS ALL IMPLIED WARRANTIES INCLUDING, WITHOUT LIMITATION, THE WARRANTIES OF DESIGN, OF NONINFRINGEMENT, MERCHANTABILITY OR FITNESS FOR A PARTICULAR PURPOSE, OR ARISING FROM A COURSE OF DEALING, TRADE USAGE, TRADE PRACTICE, OR INDUSTRY STANDARDS.



DDR5S CMD Mapping table with columns for CMD#, CAS*, RST#, RAS#, A1, A8, WE#, A2, BA2, A2, BA1, A1, A10, A2, BA2, A2, BA1, A1, A10, CS*, and CAS* values.

ALL NVIDIA DESIGN SPECIFICATIONS, REFERENCE SPECIFICATIONS, REFERENCE BOARDS, FILES, DRAWINGS, DIAGNOSTICS, LISTS AND OTHER DOCUMENTS OR INFORMATION (TOGETHER AND SEPARATELY, "MATERIALS") ARE BEING PROVIDED "AS IS". THE MATERIALS MAY CONTAIN KNOWN AND UNKNOWN VIOLATIONS OR DEVIATIONS OF INDUSTRY STANDARDS AND SPECIFICATIONS. NVIDIA MAKES NO WARRANTIES, EXPRESSED, IMPLIED, STATUTORY OR OTHERWISE, WITH RESPECT TO THE MATERIALS AND EXPRESSLY DISCLAIMS ALL IMPLIED WARRANTIES INCLUDING, WITHOUT LIMITATION, THE WARRANTIES OF DESIGN, OF NON-INFRINGEMENT, MERCHANTABILITY OR FITNESS FOR A PARTICULAR PURPOSE, OR ARISING FROM A COURSE OF DEALING, TRADE USAGE, TRADE PRACTICE, OR INDUSTRY STANDARDS.

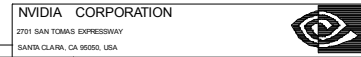
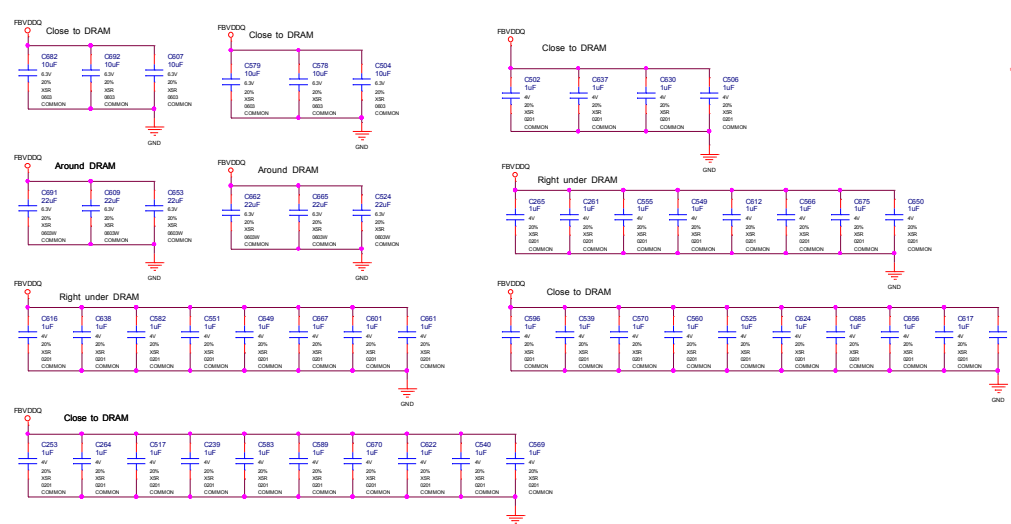
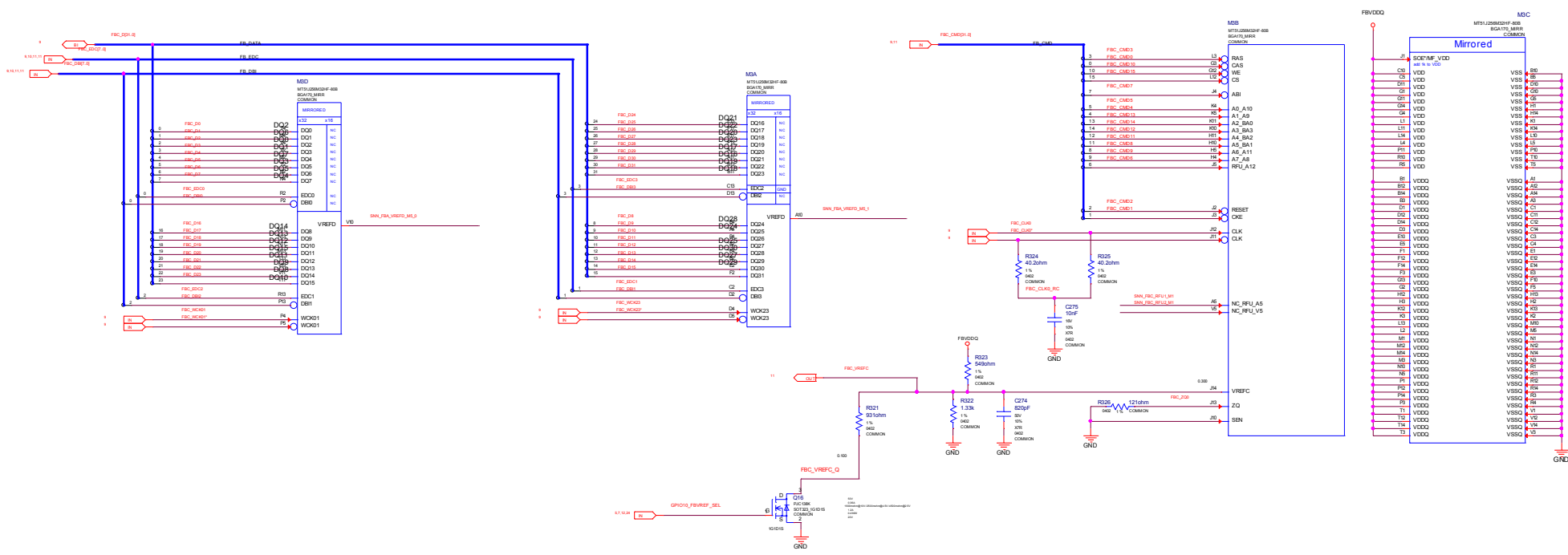
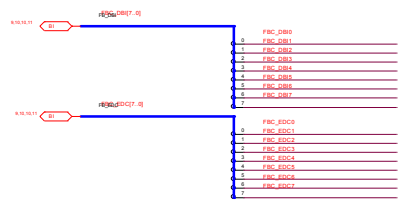
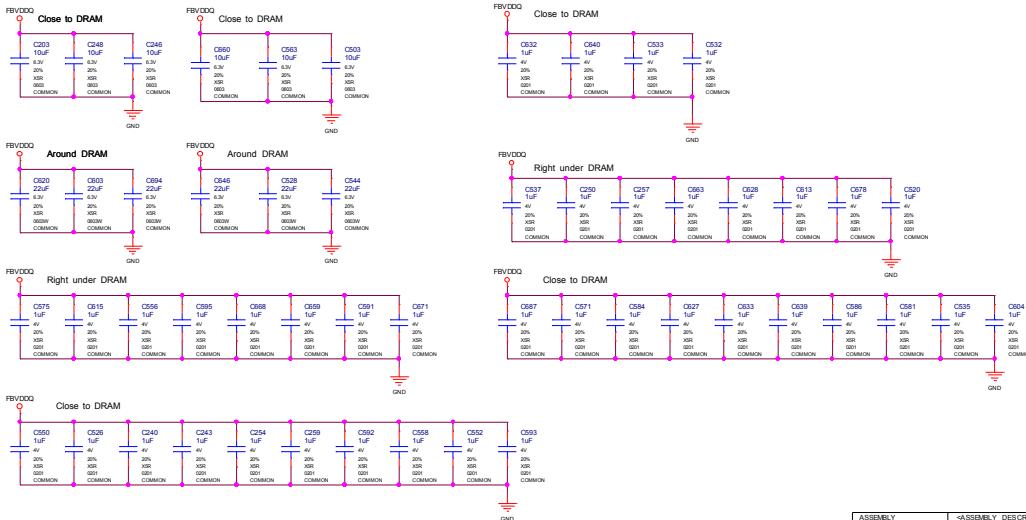
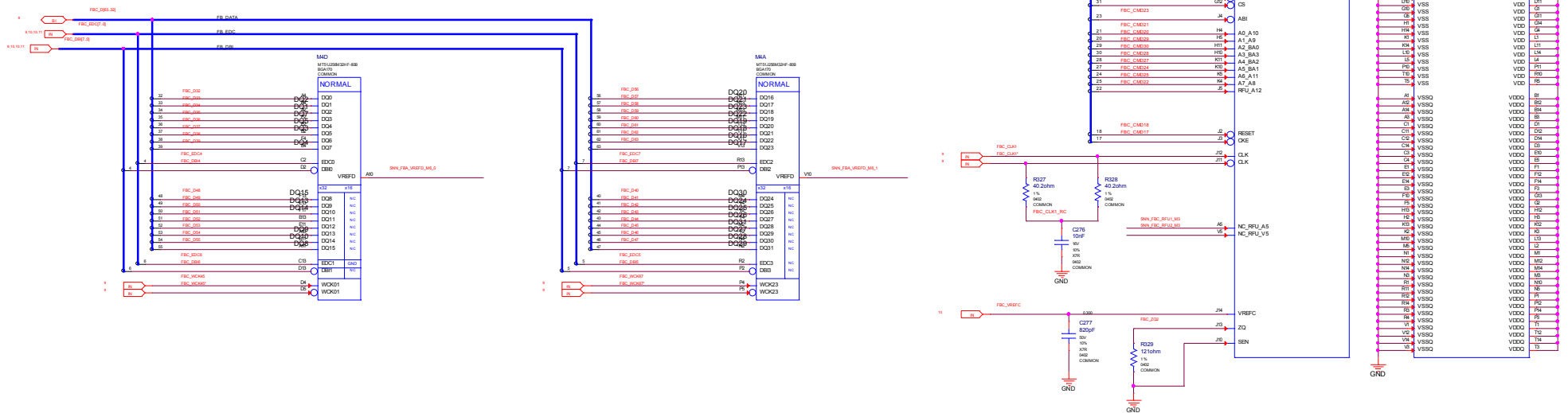


Table with columns: ASSMBLY, ASSMBLY_DESCRIPTION, FRGE DETAL, MEMORY, GPU_FL_CD, NV_PN (600-1G165-BASE-000), FRGE (PG165-ADD), and DATE (14-DEC-2018).



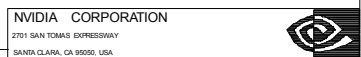
| | | | |
|----------------------------|--------------------|------|-------------|
| NVIDIA CORPORATION | | | |
| 2701 SAN TOMAS EXPRESSWAY | | | |
| SANTA CLARA, CA 95050, USA | | | |
| NV_PN | 600-1G165-BASE-000 | PKG | 10 OF 42 |
| FBC REV | PG165-A00 | DATE | 14-DEC-2018 |
| BOM REV | B | | |

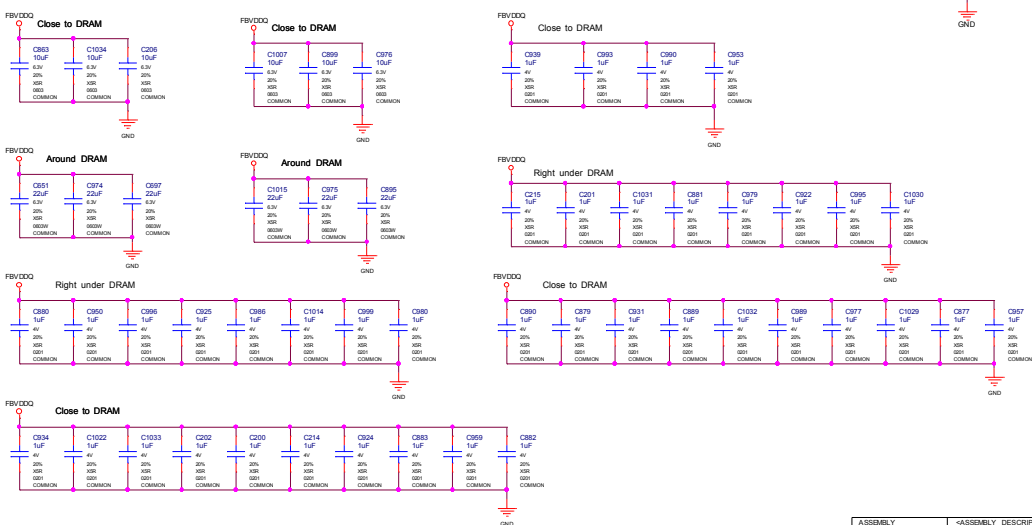
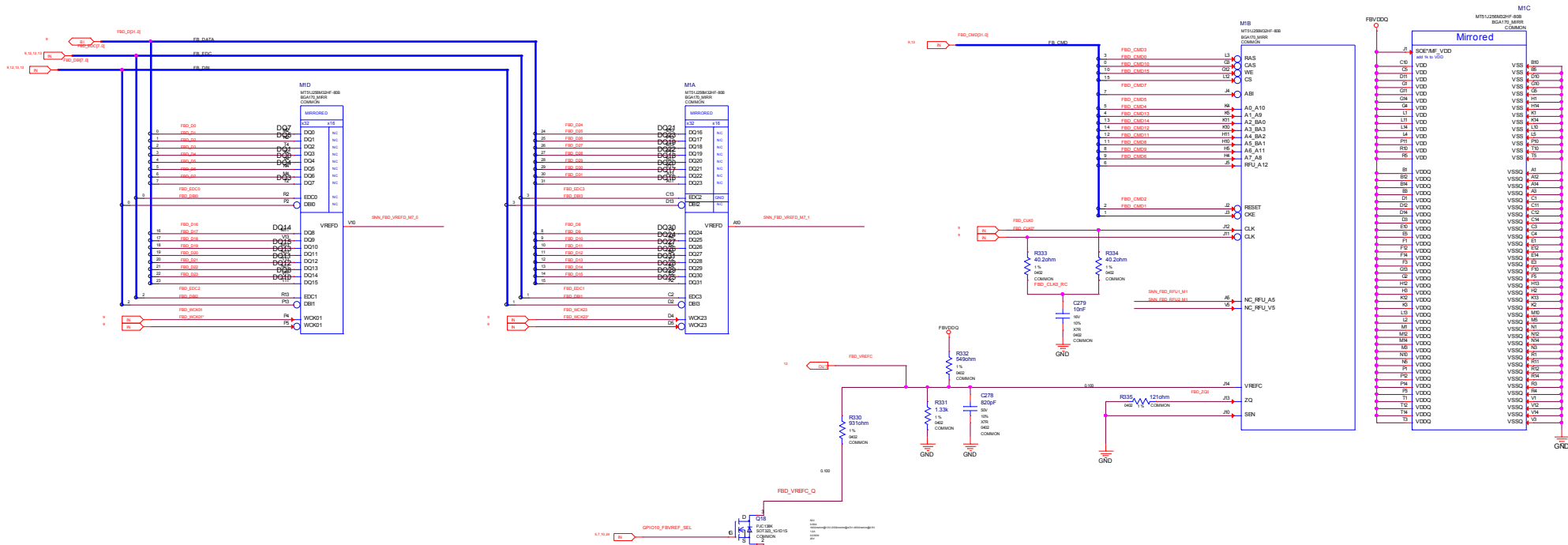
ALL NVIDIA DESIGN SPECIFICATIONS, REFERENCE SPECIFICATIONS, REFERENCE BOARDS, FILES, DRAWINGS, DIAGNOSTICS, LISTS AND OTHER DOCUMENTS OR INFORMATION (TOGETHER AND SEPARATELY, "MATERIALS") ARE BEING PROVIDED "AS IS". THE MATERIALS MAY CONTAIN KNOWN AND UNKNOWN VIOLETIONS OR DEVIATIONS OF INDUSTRY STANDARDS AND SPECIFICATIONS. NVIDIA MAKES NO WARRANTIES, EXPRESSED, IMPLIED, STATUTORY OR OTHERWISE, WITH RESPECT TO THE MATERIALS, AND EXPRESSLY DISCLAIMS ALL IMPLIED WARRANTIES INCLUDING, WITHOUT LIMITATION, THE WARRANTIES OF DESIGN, OF NONINFRINGEMENT, MERCHANTABILITY OR FITNESS FOR A PARTICULAR PURPOSE, OR ARISING FROM A COURSE OF DEALING, TRADE USAGE, TRADE PRACTICE, OR INDUSTRY STANDARDS.



ALL NVIDIA DESIGN SPECIFICATIONS, REFERENCE SPECIFICATIONS, REFERENCE BOARDS, FILES, DRAWINGS, DIAGNOSTICS, LISTS AND OTHER DOCUMENTS (TOGETHER AND SEPARATELY, "MATERIALS") ARE BEING PROVIDED "AS IS". THE MATERIALS MAY CONTAIN KNOWN AND UNKNOWN DEFICIENCIES OR DEVIATIONS OF INDUSTRY STANDARDS AND SPECIFICATIONS. NVIDIA MAKES NO WARRANTIES, EXPRESSED, IMPLIED, STATUTORY OR OTHERWISE, WITH RESPECT TO THE MATERIALS, AND EXPRESSLY DISCLAIMS ALL IMPLIED WARRANTIES INCLUDING, WITHOUT LIMITATION, THE WARRANTIES OF DESIGN, OF NONINFRINGEMENT, MERCHANTABILITY OR FITNESS FOR A PARTICULAR PURPOSE, OR ARISING FROM A COURSE OF DEALING, TRADE USAGE, TRADE PRACTICE, OR INDUSTRY STANDARDS.

| | | | | | | | | | | | |
|--|------------------------|------------------|-------|--------------------|--|---------|-----------|---------------|---------|---|------------------|
| ASSEMBLY | "ASSEMBLY DESCRIPTION" | | | | | | | | | | |
| PCB DETAIL | MEMORY: FBQ30.32 | | | | | | | | | | |
| <table border="1"> <tr> <td>NV_PN</td> <td colspan="2">600-1G165-BASE-000</td> </tr> <tr> <td>PCB REV</td> <td>P0165-A00</td> <td>PAGE 11 OF 42</td> </tr> <tr> <td>BCM REV</td> <td>B</td> <td>DATE 14-DEC-2018</td> </tr> </table> | | | NV_PN | 600-1G165-BASE-000 | | PCB REV | P0165-A00 | PAGE 11 OF 42 | BCM REV | B | DATE 14-DEC-2018 |
| NV_PN | 600-1G165-BASE-000 | | | | | | | | | | |
| PCB REV | P0165-A00 | PAGE 11 OF 42 | | | | | | | | | |
| BCM REV | B | DATE 14-DEC-2018 | | | | | | | | | |



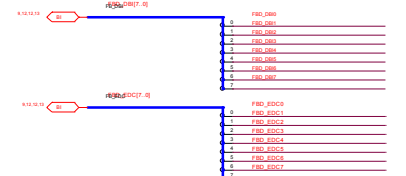
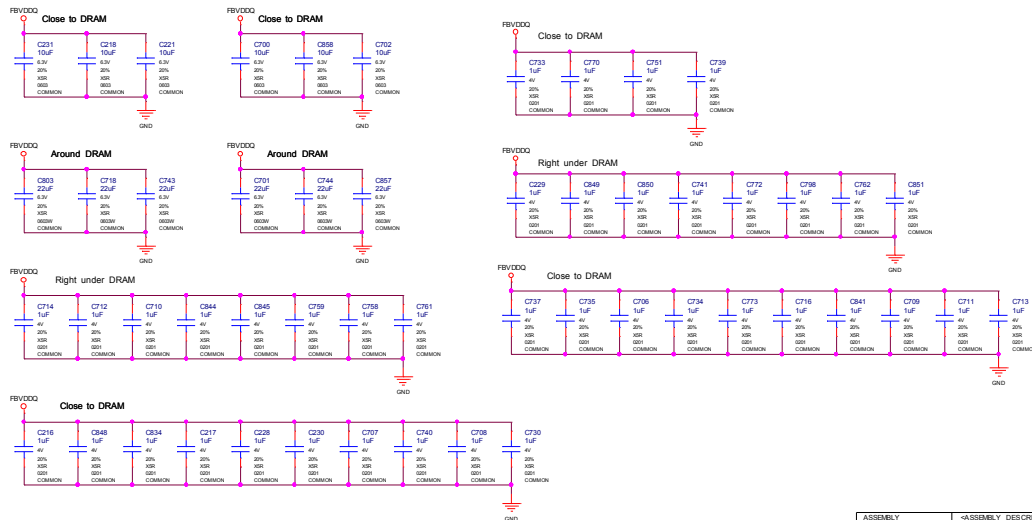
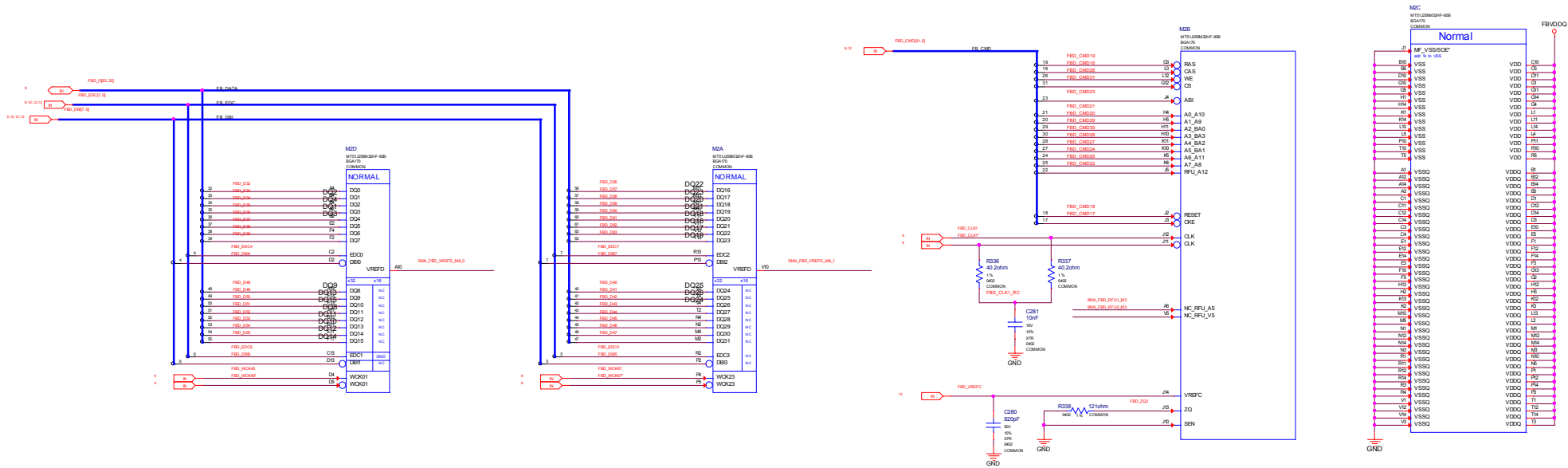


NVIDIA CORPORATION
 2701 SAN TOMAS EXPRESSWAY
 SANTA CLARA, CA 95050, USA




| | |
|----------|------------------------|
| ASSEMBLY | <ASSEMBLY_DESCRIPTION> |
| PCB REV | MEMORY: FBQ110 |
| NV_PN | 600-1G165-BASE-000 |
| PCB REV | PG165-ADD |
| PCB REV | B |
| FRGE | 12 OF 42 |
| DATE | 14 DEC 2018 |

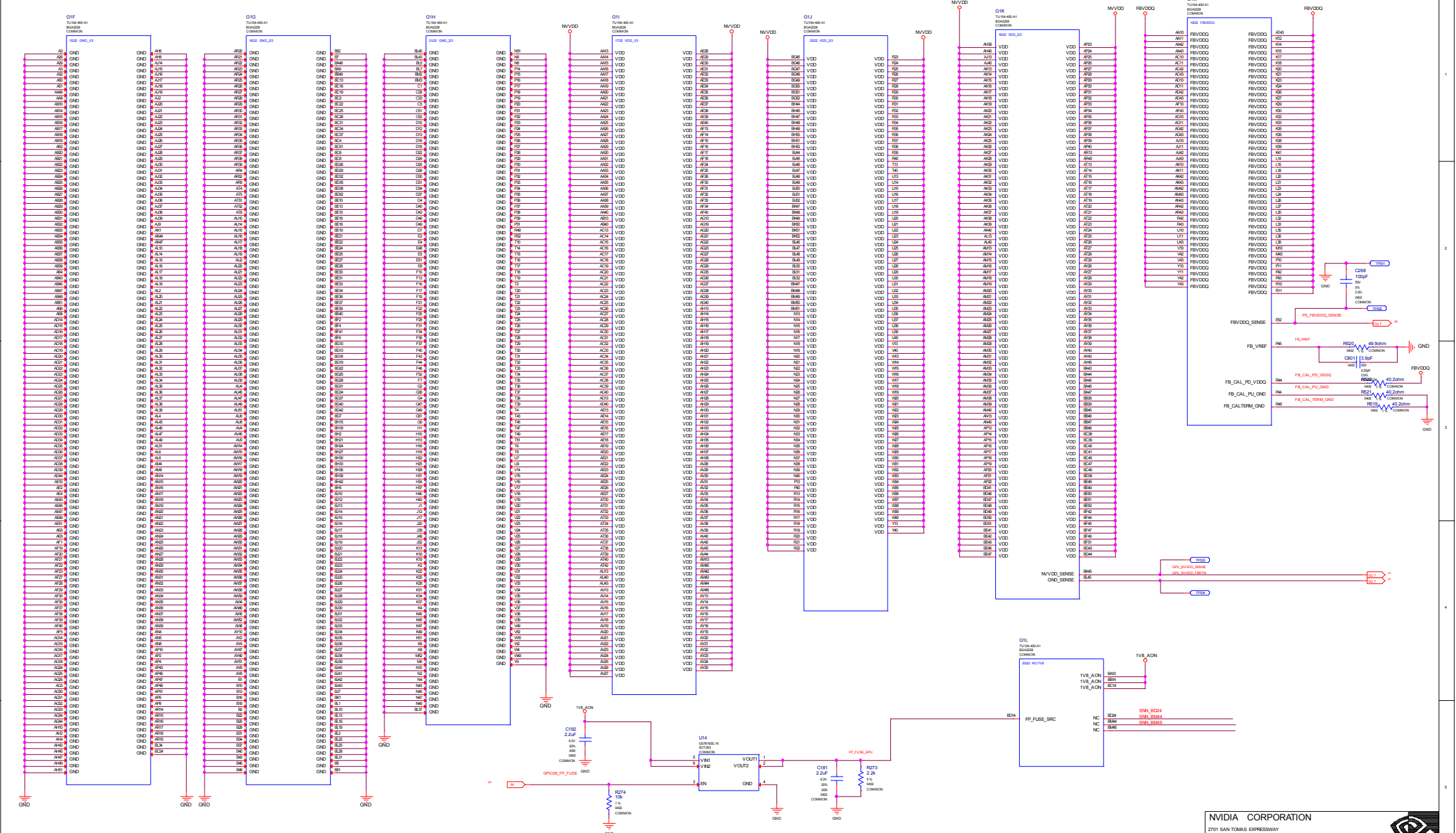
ALL NVIDIA DESIGN SPECIFICATIONS, REFERENCE SPECIFICATIONS, REFERENCE BOARDS, FILES, DRAWINGS, DIAGNOSTICS, LISTS AND OTHER DOCUMENTS (TOGETHER AND SEPARATELY, "MATERIALS") ARE BEING PROVIDED "AS IS" THE MATERIALS MAY CONTAIN KNOWN AND UNKNOWN VIOLETIONS OR DEVIATIONS OF INDUSTRY STANDARDS AND SPECIFICATIONS. NVIDIA MAKES NO WARRANTIES, EXPRESSED, IMPLIED, STATUTORY OR OTHERWISE WITH RESPECT TO THE MATERIALS AND EXPRESSLY DISCLAIMS ALL IMPLIED WARRANTIES INCLUDING, WITHOUT LIMITATION, THE WARRANTIES OF DESIGN, OF NON-INFRINGEMENT, MERCHANTABILITY OR FITNESS FOR A PARTICULAR PURPOSE, OR ARISING FROM A COURSE OF DEALING, TRADE USAGE, TRADE PRACTICE, OR INDUSTRY STANDARDS.



| ASSEMBLY | ASSEMBLY DESCRIPTION |
|------------|----------------------|
| FRG DETAIL | MEMORY FRG(32) |

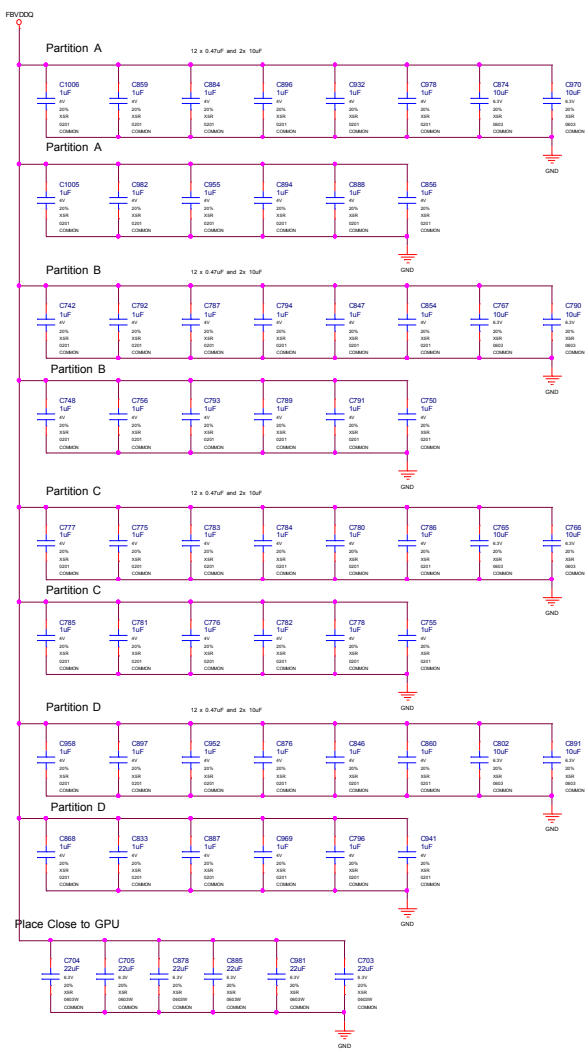
ALL NVIDIA DESIGN SPECIFICATIONS, REFERENCE SPECIFICATIONS, REFERENCE BOARDS, FILES, DRAWINGS, DIAGNOSTICS, LISTS AND OTHER DOCUMENTS OR INFORMATION (TOGETHER AND SEPARATELY, "MATERIALS") ARE BEING PROVIDED "AS IS". THE MATERIALS MAY CONTAIN KNOWN AND UNKNOWN VULNERABILITIES OR DEVIATIONS OF INDUSTRY STANDARDS AND SPECIFICATIONS. NVIDIA MAKES NO WARRANTIES, EXPRESSED, IMPLIED, STATUTORY OR OTHERWISE, WITH RESPECT TO THE MATERIALS, AND EXPRESSLY DISCLAIMS ALL IMPLIED WARRANTIES INCLUDING, WITHOUT LIMITATION, THE WARRANTIES OF DESIGN, OF NON-INFRINGEMENT, MERCHANTABILITY OR FITNESS FOR A PARTICULAR PURPOSE, OR ARISING FROM A COURSE OF DEALING, TRADE USAGE, TRADE PRACTICE, OR INDUSTRY STANDARDS.

| | | | |
|--|--------------------|---|-------------|
| NVIDIA CORPORATION 2701 SAN TOMAS EXPRESSWAY SANTA CLARA, CA 95050, USA | |  | |
| NV_PN | 600-1G165-BASE-000 | | |
| FRG REV | PG165-A00 | FRG# | 13 OF 42 |
| BCM REV | B | DATE | 14-DEC-2018 |

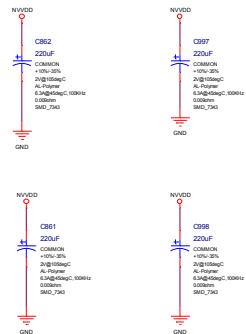


| | | | |
|-------------|--|------------------------|--|
| ASSEMBLY | | -ASSEMBLY_DESCRIPTION- | |
| PAGE DETAIL | | GPU PWR & GND | |

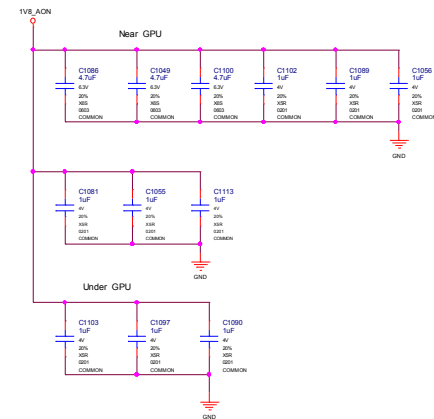
FBVDDQ



NVDD




1V8_AON

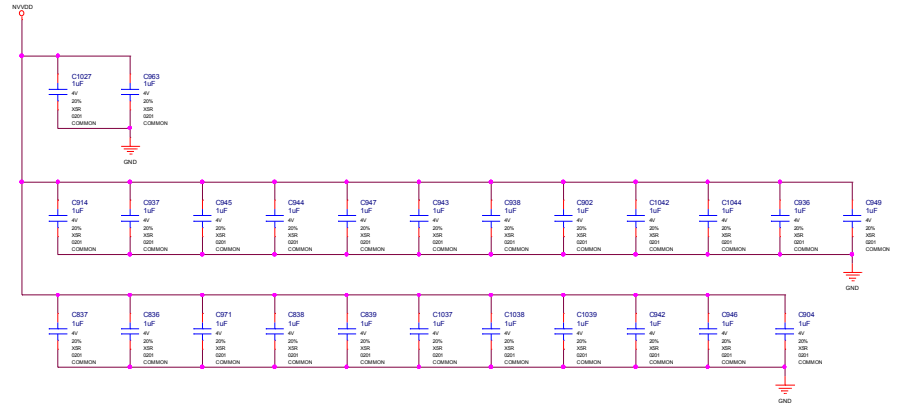
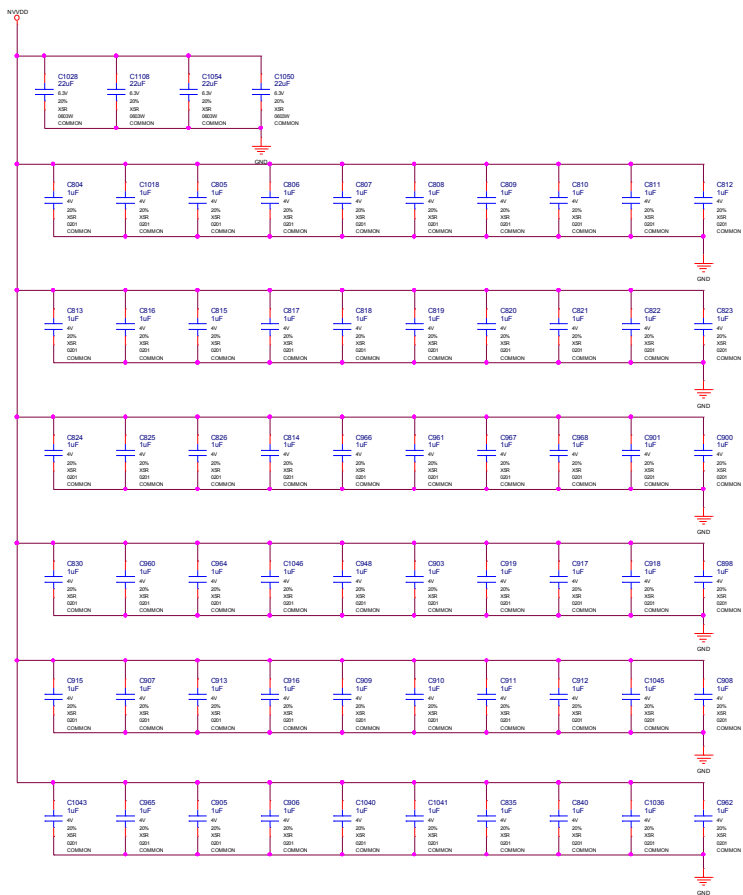


ALL NVIDIA DESIGN SPECIFICATIONS, REFERENCE SPECIFICATIONS, REFERENCE BOARDS, FILES, DRAWINGS, DIAGNOSTICS, LISTS AND OTHER DOCUMENTS (TOGETHER AND SEPARATELY, "MATERIALS") ARE BEING PROVIDED "AS IS". THE MATERIALS MAY CONTAIN KNOWN AND UNKNOWN VIOLATIONS OR DEVIATIONS OF INDUSTRY STANDARDS AND SPECIFICATIONS. NVIDIA MAKES NO WARRANTIES, EXPRESSED, IMPLIED, STATUTORY OR OTHERWISE, WITH RESPECT TO THE MATERIALS OR OTHERWISE, AND EXPRESSLY DISCLAIMS ALL IMPLIED WARRANTIES INCLUDING, WITHOUT LIMITATION, THE WARRANTIES OF DESIGN, OF NONINFRINGEMENT, MERCHANTABILITY OR FITNESS FOR A PARTICULAR PURPOSE, OR ARISING FROM A COURSE OF DEALING, TRADE USAGE, TRADE PRACTICE, OR INDUSTRY STANDARDS.

| | |
|-------------|----------------------|
| ASSEMBLY | ASSEMBLY DESCRIPTION |
| FRGE DETAIL | GPU DECOUPLING 1 |

| | | | |
|---|--------------------|---|-------------|
| NVIDIA CORPORATION | |  | |
| 2701 SAN TOMAS EXPRESSWAY SANTA CLARA, CA 95050, USA | | | |
| NV_PN | 600-1G165-BASE-000 | FRGE | 15 OF 42 |
| PCB REV | PG165-A00 | DATE | 14-DEC-2018 |
| BCM REV | 8 | | |

NVDD

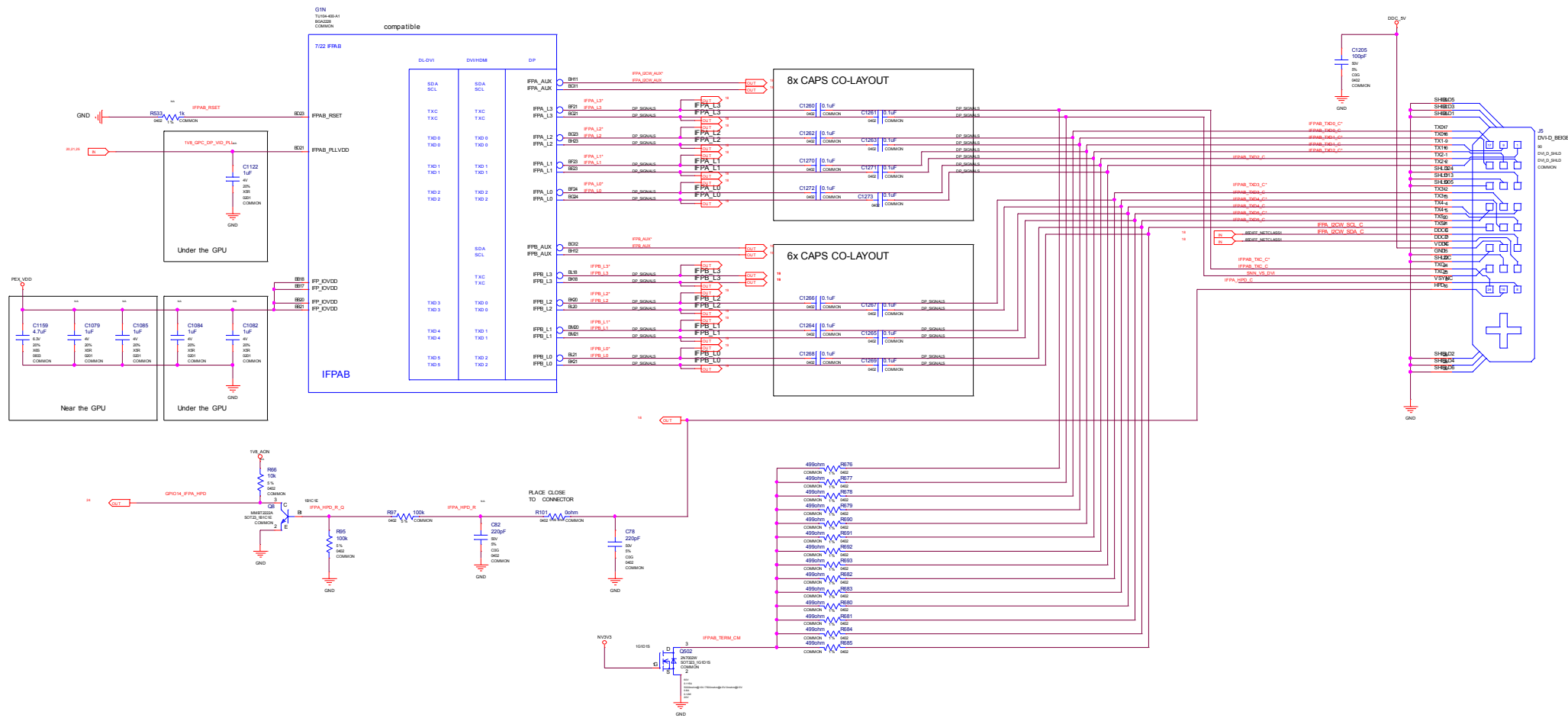


ALL NVIDIA DESIGN SPECIFICATIONS, REFERENCE SPECIFICATIONS, REFERENCE BOARDS, FILES, DRAWINGS, DIAGNOSTICS, LISTS AND OTHER DOCUMENTS OR INFORMATION (TOGETHER AND SEPARATELY, "MATERIALS") ARE BEING PROVIDED "AS IS". THE MATERIALS MAY CONTAIN KNOWN AND UNKNOWN VIOLATIONS OR DEVIATIONS OF INDUSTRY STANDARDS AND SPECIFICATIONS. NVIDIA MAKES NO WARRANTIES, EXPRESSED, IMPLIED, STATUTORY OR OTHERWISE WITH RESPECT TO THE MATERIALS AND EXPRESSLY DISCLAIMS ALL IMPLIED WARRANTIES INCLUDING, WITHOUT LIMITATION, THE WARRANTIES OF DESIGN, OF NONINFRINGEMENT, MERCHANTABILITY OR FITNESS FOR A PARTICULAR PURPOSE, OR ARISING FROM A COURSE OF DEALING, TRADE USAGE, TRADE PRACTICE, OR INDUSTRY STANDARDS.

| | |
|------------|------------------------|
| ASSEMBLY | <ASSEMBLY_DESCRIPTION> |
| PCB DETAIL | GPU DECOUPLING 2 |

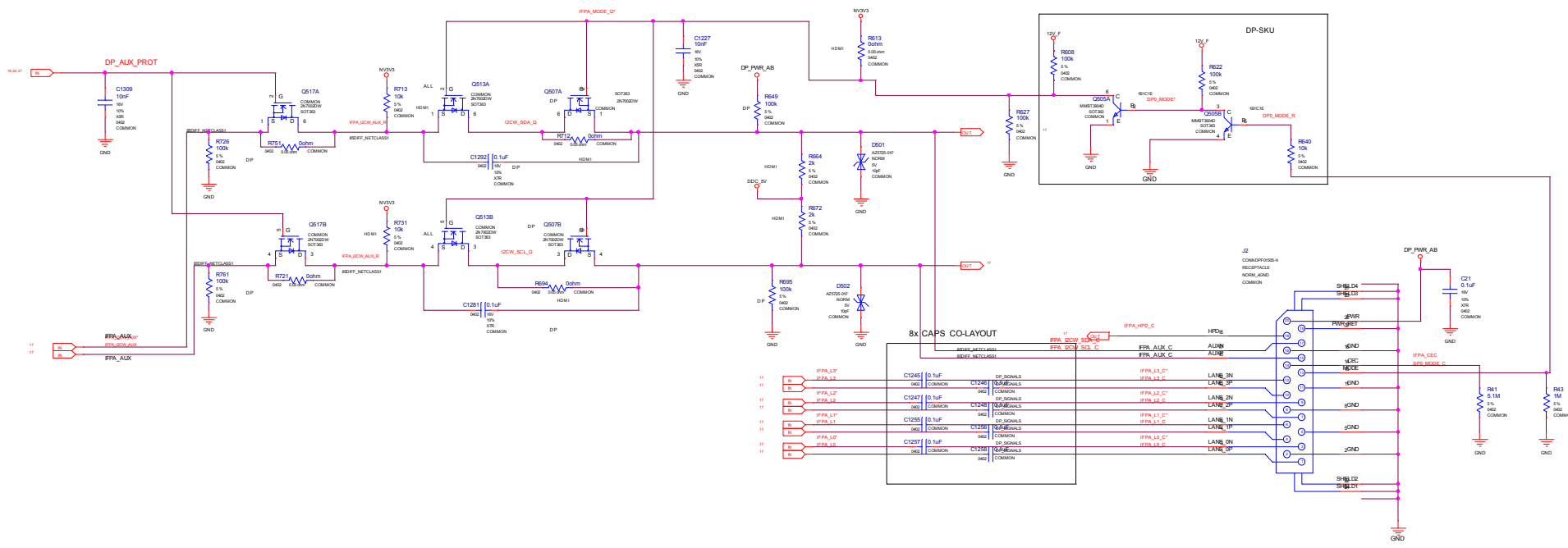
| | | | |
|--|--------------------|------|-------------|
| NVIDIA CORPORATION 2701 SAN TOMAS EXPRESSWAY SANTA CLARA, CA 95050, USA | | | |
| NV_PN | 600-1G165-BASE-000 | PG# | 16 OF 42 |
| PCB REV | B | DATE | 14-DEC-2018 |





| | |
|--|--------------------|
| NVIDIA CORPORATION 2701 SAN TOMAS EXPRESSWAY SANTA CLARA, CA 95050, USA | |
| NV_PN | 600-1G165-BASE-000 |
| PCB REV | PG165-ADD |
| DATE | 14 DEC 2018 |
| PG | 17 OF 42 |

ALL NVIDIA DESIGN SPECIFICATIONS, REFERENCE SPECIFICATIONS, REFERENCE BOARDS, FILES, DRAWINGS, DIAGNOSTICS, LISTS AND OTHER DOCUMENTS (TOGETHER AND SEPARATELY, "MATERIALS") ARE BEING PROVIDED "AS IS" THE MATERIALS MAY CONTAIN KNOWN AND UNKNOWN VIOLATIONS OR DEVIATIONS OF INDUSTRY STANDARDS AND SPECIFICATIONS. NVIDIA MAKES NO WARRANTIES, EXPRESSED, IMPLIED, STATUTORY OR OTHERWISE, WITH RESPECT TO THE MATERIALS OR OTHERWISE, AND EXPRESSLY DISCLAIMS ALL IMPLIED WARRANTIES INCLUDING, WITHOUT LIMITATION, THE WARRANTIES OF DESIGN, OF NON-INFRINGEMENT, MERCHANTABILITY OR FITNESS FOR A PARTICULAR PURPOSE, OR ARISING FROM A COURSE OF DEALING, TRADE USAGE, TRADE PRACTICE, OR INDUSTRY STANDARDS.



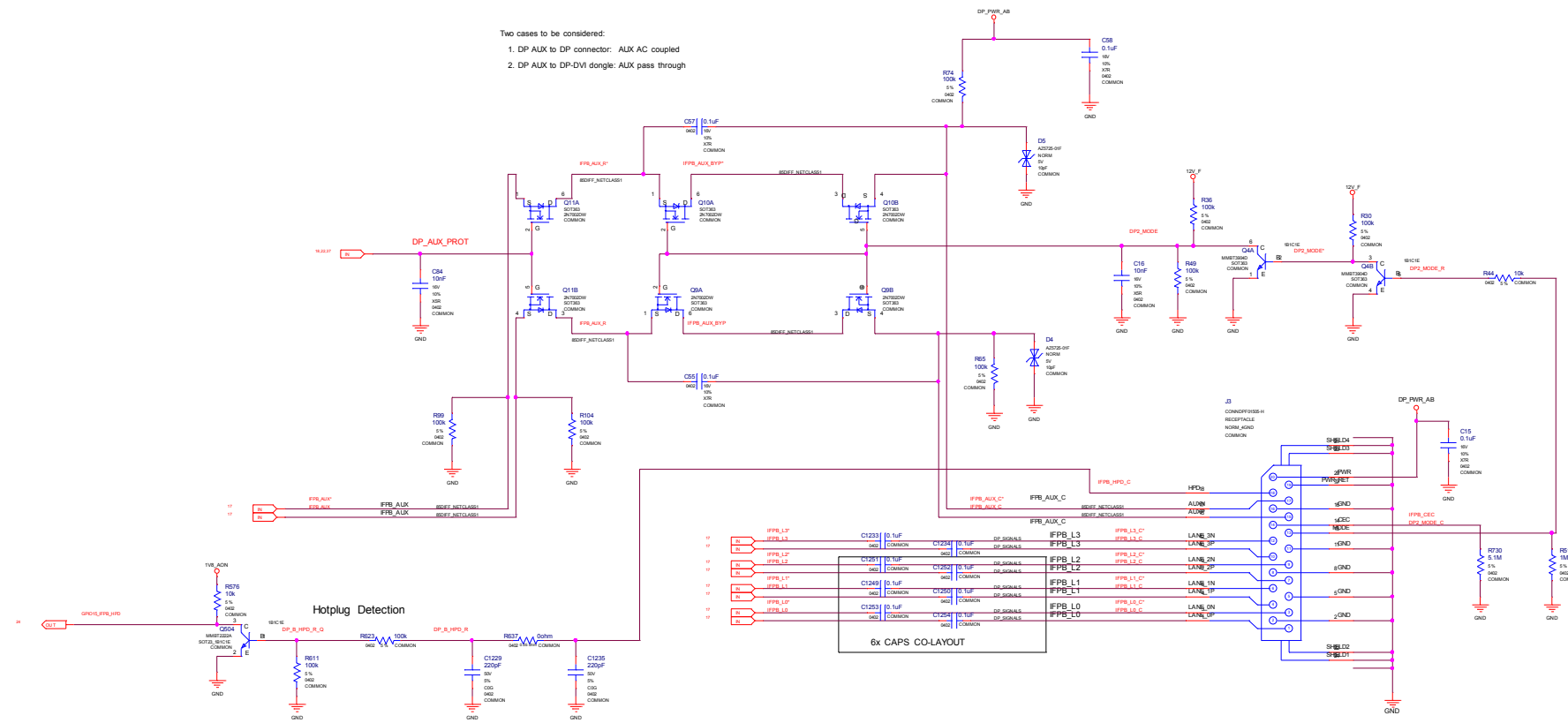
ALL NVIDIA DESIGN SPECIFICATIONS, REFERENCE SPECIFICATIONS, REFERENCE BOARDS, FILES, DRAWINGS, DIAGNOSTICS, LISTS AND OTHER DOCUMENTS (TOGETHER AND SEPARATELY, "MATERIALS") ARE BEING PROVIDED "AS IS". THE MATERIALS MAY CONTAIN KNOWN AND UNKNOWN VIOLATIONS OR DEVIATIONS OF INDUSTRY STANDARDS AND SPECIFICATIONS. NVIDIA MAKES NO WARRANTIES, EXPRESSED, IMPLIED, STATUTORY OR OTHERWISE, WITH RESPECT TO THE MATERIALS AND EXPRESSLY DISCLAIMS ALL IMPLIED WARRANTIES, INCLUDING, WITHOUT LIMITATION, THE WARRANTIES OF DESIGN, OF NONINFRINGEMENT, MERCHANTABILITY OR FITNESS FOR A PARTICULAR PURPOSE, OR ARISING FROM A COURSE OF DEALING, TRADE USAGE, TRADE PRACTICE, OR INDUSTRY STANDARDS.

| | |
|---------------|------------------------|
| ASSEMBLY | <ASSEMBLY_DESCRIPTION> |
| FIGURE DETAIL | ID: IFPA_DP |

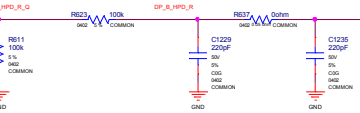
| | | | |
|--|--------------------|--------|-------------|
| NVIDIA CORPORATION 2701 SAN TOMAS EXPRESSWAY SANTA CLARA, CA 95050, USA | | | |
| NV_PN | 600-1G165-BASE-000 | PG. GE | 18 OF 42 |
| PCB REV | PG165-ADD | DATE | 14-DEC-2018 |
| BOM REV | B | | |



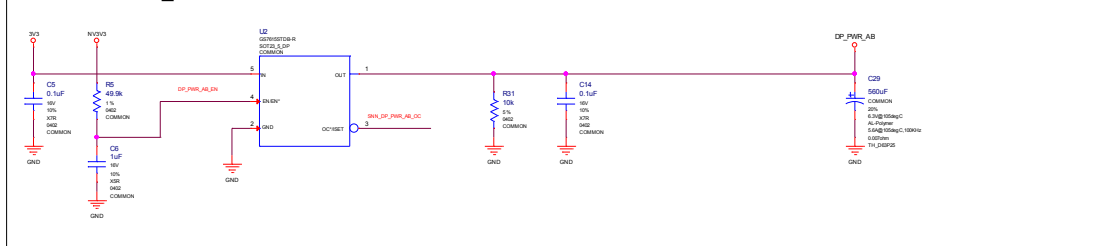
Two cases to be considered:
 1. DP AUX to DP connector: AUX AC coupled
 2. DP AUX to DP-DVI dongle: AUX pass through



Hotplug Detection



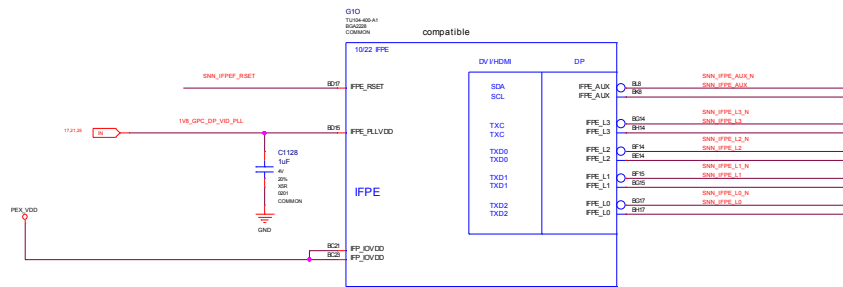
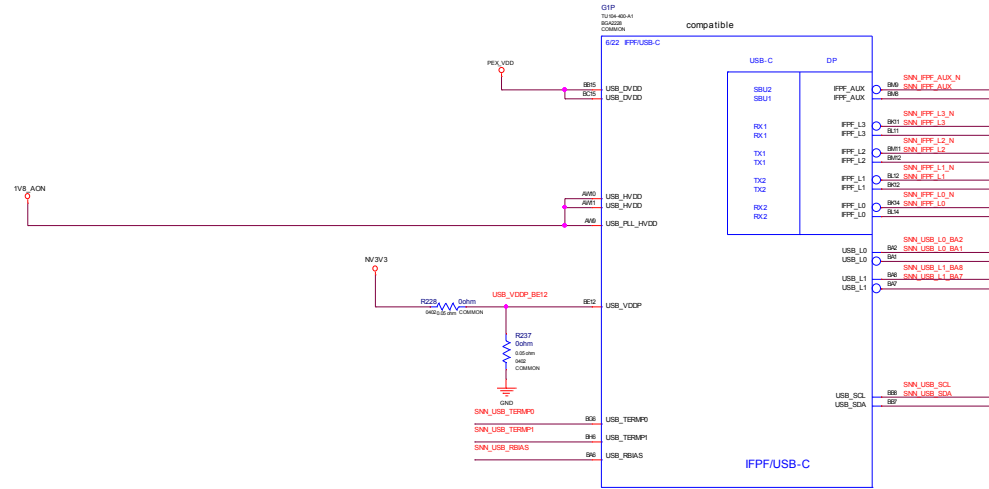
Fused DP_PWR



| ASSEMBLY | ASSEMBLY DESCRIPTION |
|-------------|----------------------|
| FRGE DETAIL | ID: IFPB DP |

| | |
|--|--------------------|
| NVIDIA CORPORATION 2701 SAN TOMAS EXPRESSWAY SANTA CLARA, CA 95050, USA | |
| Nv_PN | 600-1G165-BASE-000 |
| PCB REV | PG165-ADD |
| FORM REV | B |
| PRGE | 19 OF 42 |
| DATE | 14-DEC-2018 |

ALL NVIDIA DESIGN SPECIFICATIONS, REFERENCE SPECIFICATIONS, REFERENCE BOARDS, FILES, DRAWINGS, DIAGNOSTICS, LISTS AND OTHER DOCUMENTS OR INFORMATION (TOGETHER AND SEPARATELY, "MATERIALS") ARE BEING PROVIDED "AS IS". THE MATERIALS MAY CONTAIN KNOWN AND UNKNOWN VIOLATIONS OR DEVIATIONS OF INDUSTRY STANDARDS AND SPECIFICATIONS. NVIDIA MAKES NO WARRANTIES, EXPRESSED, IMPLIED, STATUTORY OR OTHERWISE WITH RESPECT TO THE MATERIALS AND EXPRESSLY DISCLAIMS ALL IMPLIED WARRANTIES INCLUDING, WITHOUT LIMITATION, THE WARRANTIES OF DESIGN, OF NONINFRINGEMENT, MERCHANTABILITY OR FITNESS FOR A PARTICULAR PURPOSE, OR ARISING FROM A COURSE OF DEALING, TRADE USAGE, TRADE PRACTICE, OR INDUSTRY STANDARDS.



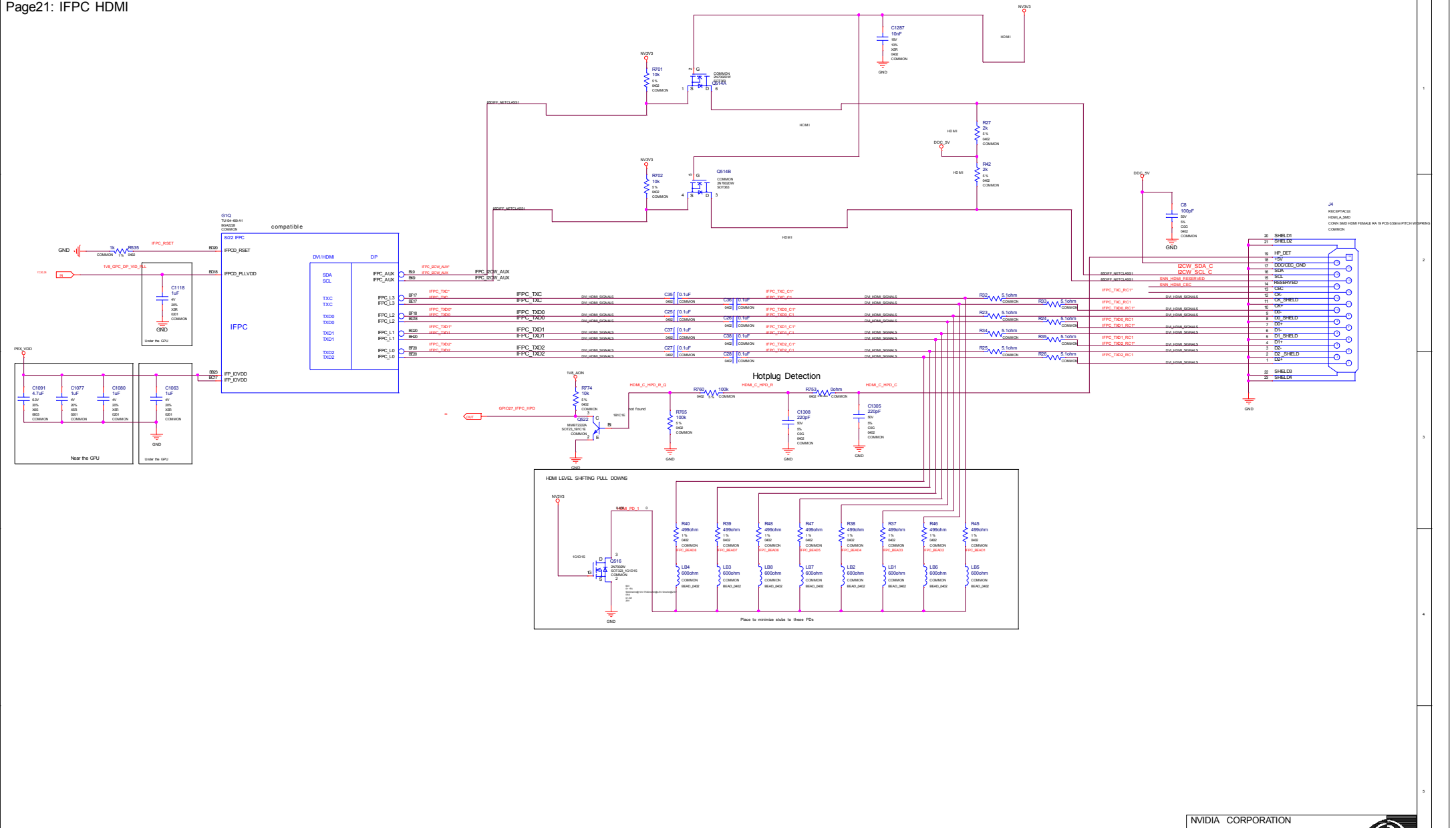
NVIDIA CORPORATION
2701 SAN TOMAS EXPRESSWAY
SANTA CLARA, CA 95050, USA




| | | | |
|----------|------------------------|-----|----------|
| ASSEMBLY | <ASSEMBLY_DESCRIPTION> | | |
| PCB REV | B | PGE | 20 OF 42 |
| DATE | | | |

ALL NVIDIA DESIGN SPECIFICATIONS, REFERENCE SPECIFICATIONS, REFERENCE BOARDS, FILES, DRAWINGS, DIAGNOSTICS, LISTS AND OTHER DOCUMENTS (TOGETHER AND SEPARATELY, "MATERIALS") ARE BEING PROVIDED "AS IS" THE MATERIALS MAY CONTAIN KNOWN AND UNKNOWN VIOLATIONS OR DEVIATIONS OF INDUSTRY STANDARDS AND SPECIFICATIONS. NVIDIA MAKES NO WARRANTIES, EXPRESSED OR IMPLIED, STATUTORY OR OTHERWISE WITH RESPECT TO THE MATERIALS AND EXPRESSLY DISCLAIMS ALL IMPLIED WARRANTIES INCLUDING, WITHOUT LIMITATION, THE WARRANTIES OF DESIGN, OF NON-INFRINGEMENT, MERCHANTABILITY OR FITNESS FOR A PARTICULAR PURPOSE, OR ARISING FROM A COURSE OF DEALING, TRADE USAGE, TRADE PRACTICE, OR INDUSTRY STANDARDS.

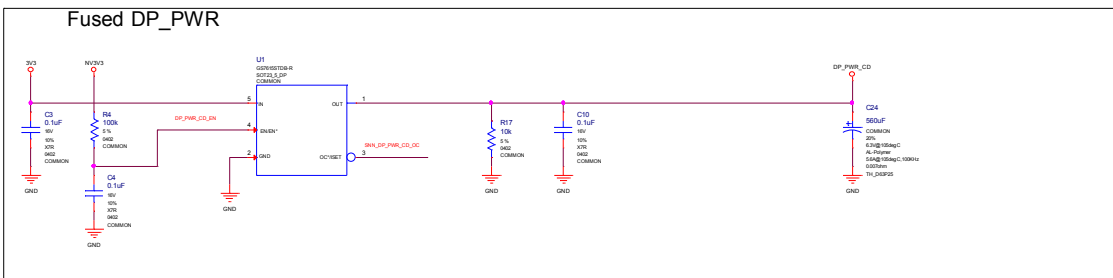
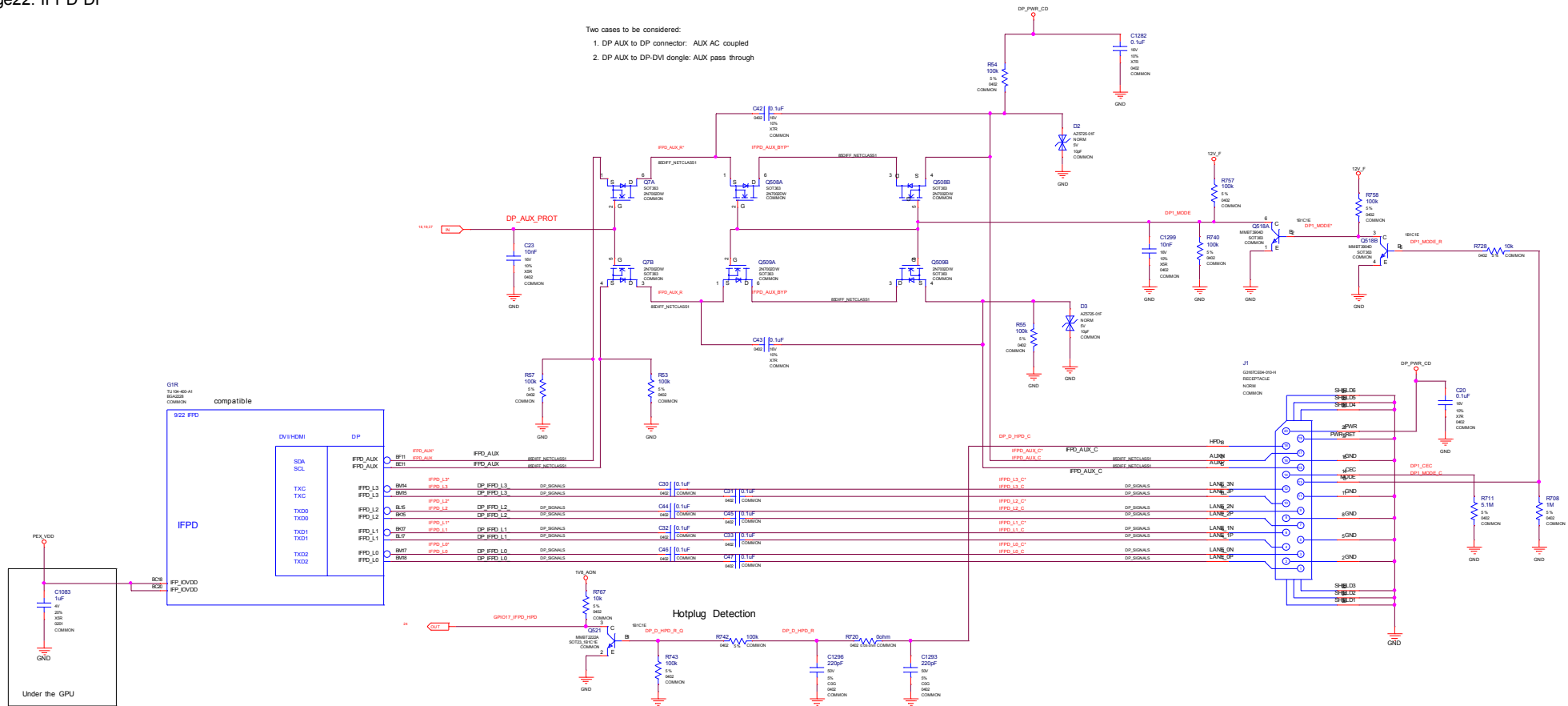
ID: IFPE & IFPF NC



| | | | | | |
|-------------|--|------------------------|--|---|--|
| ASSEMBLY | | *ASSEMBLY DESCRIPTION* | | NVIDIA CORPORATION | |
| PAGE DETAIL | | IG IFPC HDMI | | 2701 SAN TOMAS EXPRESSWAY | |
| | | | | SANTA CLARA, CA 95050, USA | |
| | | | |  | |
| | | | | NV_PN 600-IG165-BASE-000 PCB REV PG165-AD0 BOM REV B | |
| | | | | FRGE 21 OF 42 DATE 14 DEC 2018 | |


ALL NVIDIA DESIGN SPECIFICATIONS, REFERENCE SPECIFICATIONS, REFERENCE BOARDS, FILES, DRAWINGS, DIAGNOSTICS, LISTS AND OTHER DOCUMENTS (TOGETHER AND SEPARATELY, "MATERIALS") ARE BEING PROVIDED "AS IS". THE MATERIALS MAY CONTAIN KNOWN AND UNKNOWN VIOLATIONS OR DEVIATIONS OF INDUSTRY STANDARDS AND SPECIFICATIONS. NVIDIA MAKES NO WARRANTIES, EXPRESSED, IMPLIED, STATUTORY OR OTHERWISE, WITH RESPECT TO THE MATERIALS OR OTHERWISE, AND EXPRESSLY DISCLAIMS ALL IMPLIED WARRANTIES INCLUDING, WITHOUT LIMITATION, THE WARRANTIES OF DESIGN, OF NONINFRINGEMENT, MERCHANTABILITY OR FITNESS FOR A PARTICULAR PURPOSE, OR ARISING FROM A COURSE OF DEALING, TRADE USAGE, TRADE PRACTICE, OR INDUSTRY STANDARDS.

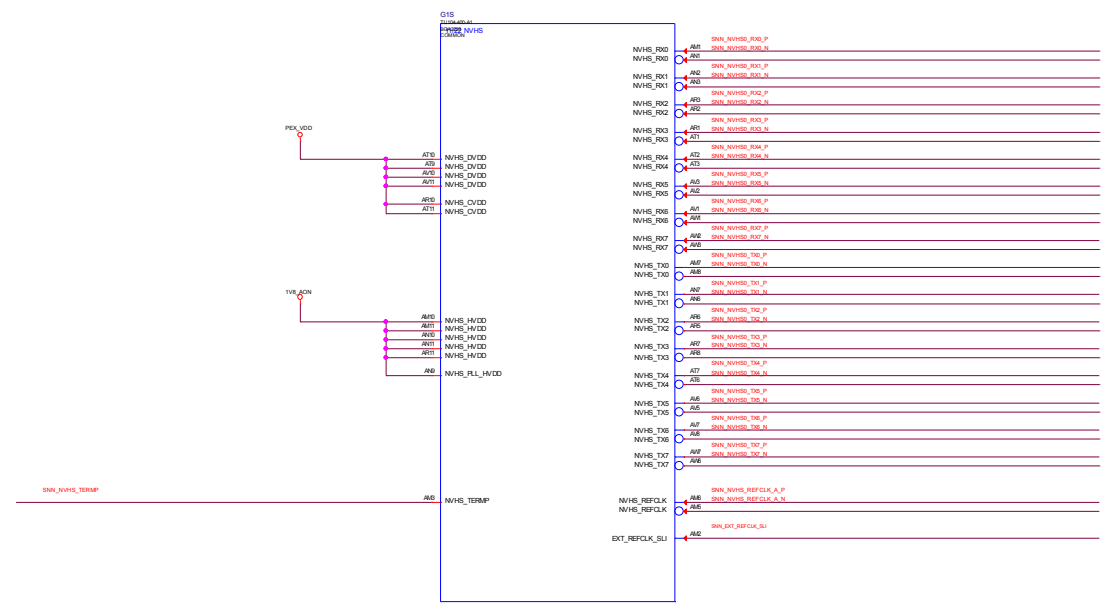
Two cases to be considered:
 1. DP ALIX to DP connector: ALIX AC coupled
 2. DP ALIX to DP-DVI dongle: ALIX pass through




ALL NVIDIA DESIGN SPECIFICATIONS, REFERENCE SPECIFICATIONS, REFERENCE BOARDS, FILES, DRAWINGS, DIAGNOSTICS, LISTS AND OTHER DOCUMENTS (TOGETHER AND SEPARATELY, "MATERIALS") ARE BEING PROVIDED "AS IS". THE MATERIALS MAY CONTAIN KNOWN AND UNKNOWN VIOLATIONS OR DEVIATIONS OF INDUSTRY STANDARDS AND SPECIFICATIONS. NVIDIA MAKES NO WARRANTIES, EXPRESSED, IMPLIED, STATUTORY OR OTHERWISE WITH RESPECT TO THE MATERIALS OR OTHERWISE, AND EXPRESSLY DISCLAIMS ALL IMPLIED WARRANTIES INCLUDING, WITHOUT LIMITATION, THE WARRANTIES OF DESIGN, OF NON-INFRINGEMENT, MERCHANTABILITY OR FITNESS FOR A PARTICULAR PURPOSE, OR ARISING FROM A COURSE OF DEALING, TRADE USAGE, TRADE PRACTICE, OR INDUSTRY STANDARDS.

| ASSEMBLY | ASSEMBLY DESCRIPTION |
|-------------|----------------------|
| FRGE DETAIL | ID: IFPD DP |

| | | | |
|---|--------------------|---|-------------|
| NVIDIA CORPORATION | |  | |
| 2701 SAN TOMAS EXPRESSWAY SANTA CLARA, CA 95050, USA | | | |
| NV_PN | 600-1G165-BASE-000 | FRGE | 22 OF 42 |
| PCB REV | B | DATE | 14-DEC-2018 |



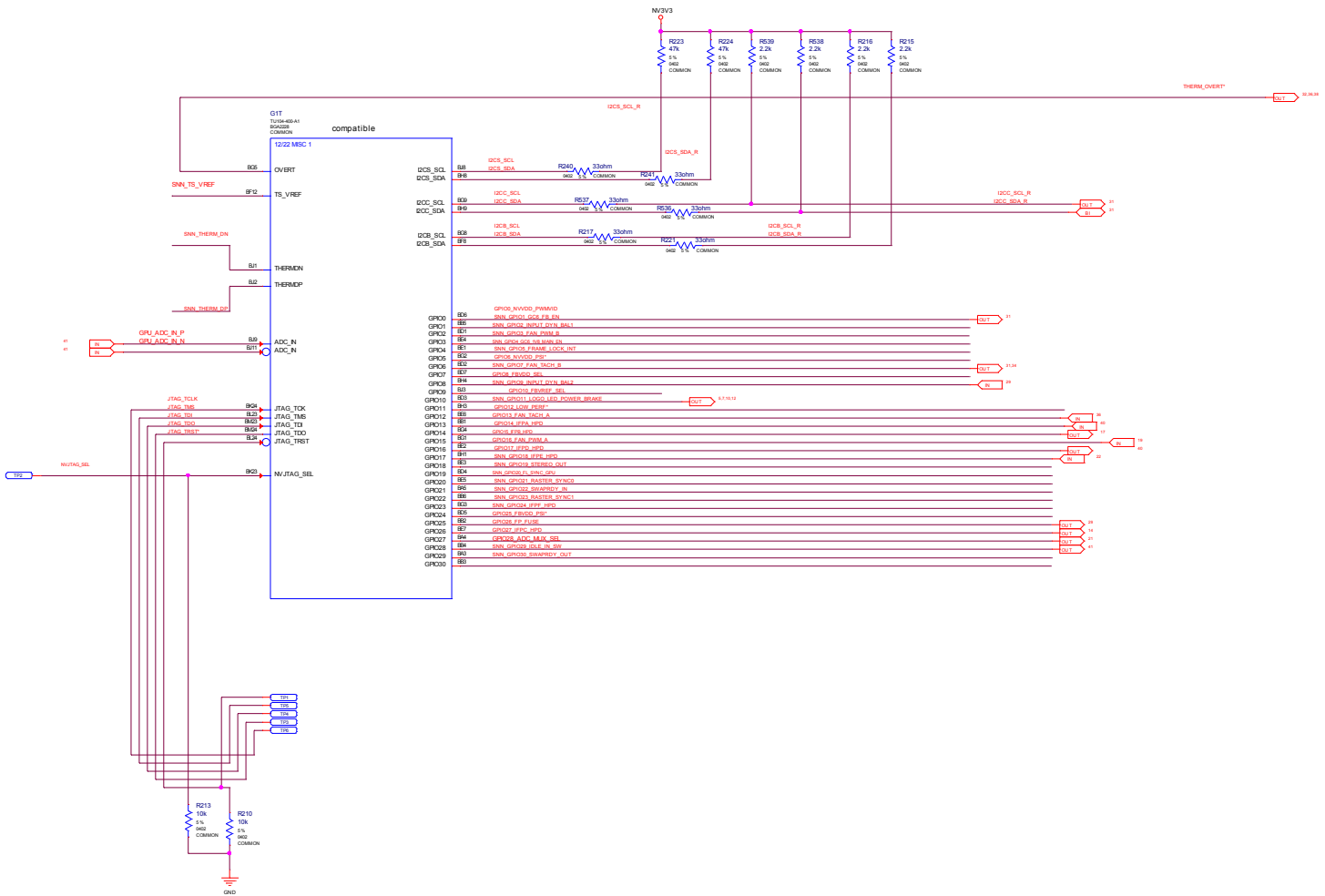
NVIDIA CORPORATION
 2701 SAN TOMAS EXPRESSWAY
 SANTA CLARA, CA 95050, USA



| ASSEMBLY | ASSEMBLY DESCRIPTION |
|-------------|-----------------------------------|
| PAGE DETAIL | ID: NVHS INTERFACE AND FRAME LOCK |

| | | | |
|---------|--------------------|------|-------------|
| NV_PN | 600-1G165-BASE-000 | | |
| PCB REV | PG165-ADD | PRGE | 23 OF 42 |
| RCM REV | BA | DATE | 14 DEC 2018 |

ALL NVIDIA DESIGN SPECIFICATIONS, REFERENCE SPECIFICATIONS, REFERENCE BOARDS, FILES, DRAWINGS, DIAGNOSTICS, LISTS AND OTHER DOCUMENTS OR INFORMATION (TOGETHER AND SEPARATELY, "MATERIALS") ARE BEING PROVIDED "AS IS". THE MATERIALS MAY CONTAIN KNOWN AND UNKNOWN VIOLATIONS OR DEVIATIONS OF INDUSTRY STANDARDS AND SPECIFICATIONS. NVIDIA MAKES NO WARRANTIES, EXPRESSED, IMPLIED, STATUTORY OR OTHERWISE WITH RESPECT TO THE MATERIALS AND EXPRESSLY DISCLAIMS ALL IMPLIED WARRANTIES INCLUDING, WITHOUT LIMITATION, THE WARRANTIES OF DESIGN, OF NON-INFRINGEMENT, MERCHANTABILITY OR FITNESS FOR A PARTICULAR PURPOSE, OR ARISING FROM A COURSE OF DEALING, TRADE USAGE, TRADE PRACTICE, OR INDUSTRY STANDARDS.



ASSEMBLY | <ASSEMBLY_DESCRIPTION>
PCB REV | PG165-ADD
DATE | 14 DEC 2018

ASSEMBLY | MISC1: JTAG,GPIO,ADC,I2C,OVERT
PCB REV | BA
DATE | 14 DEC 2018

NV_PN | 600-1G165-BASE-000
PCB REV | PG165-ADD
DATE | 14 DEC 2018

ALL NVIDIA DESIGN SPECIFICATIONS, REFERENCE SPECIFICATIONS, REFERENCE STANDARDS, FILES, DRAWINGS, DIAGNOSTICS, LISTS AND OTHER DOCUMENTS (TOGETHER AND SEPARATELY, "MATERIALS") ARE BEING PROVIDED "AS IS" THE MATERIALS MAY CONTAIN KNOWN AND UNKNOWN VIOLATIONS OR DEVIATIONS OF INDUSTRY STANDARDS AND SPECIFICATIONS. NVIDIA MAKES NO WARRANTIES, EXPRESSED, IMPLIED, STATUTORY OR OTHERWISE WITH RESPECT TO THE MATERIALS OR OTHERWISE, AND EXPRESSLY DISCLAIMS ALL IMPLIED WARRANTIES INCLUDING, WITHOUT LIMITATION, THE WARRANTIES OF DESIGN, OF NON-INFRINGEMENT, MERCHANTABILITY OR FITNESS FOR A PARTICULAR PURPOSE, OR ARISING FROM A COURSE OF DEALING, TRADE USAGE, TRADE PRACTICE, OR INDUSTRY STANDARDS.



| STRAP2 | STRAP1 | STRAP0 | RAMCFG[4:0] |
|--------|--------|--------|-------------|
| L | L | L | 0000 |
| L | L | H | 0001 |
| L | H | L | 0010 |
| L | H | H | 0011 |
| H | H | L | 00110 |
| H | H | H | 00111 |
| L | L | M | 01000 |

| STRAP2 | STRAP1 | STRAP0 | RAMCFG[4:0] | |
|--------|--------|--------|-------------|---------------------------------------|
| L | L | L | 0000 | Samsung 8Gb 256Mx32 K4G80325FC-HC25 |
| L | L | H | 0001 | Micron 8Gb 256Mx32 MT51J256M32HF-80:B |
| L | H | L | 0010 | Hynix 8Gb 256Mx32 H5G8H24AJR-R2C |
| L | H | H | 0011 | Hynix 8Gb 256Mx32 H5G8H24MJR-R4C |
| H | H | L | 0110 | |
| H | H | H | 0111 | |
| L | L | M | 1000 | |
| L | M | L | 1001 | |

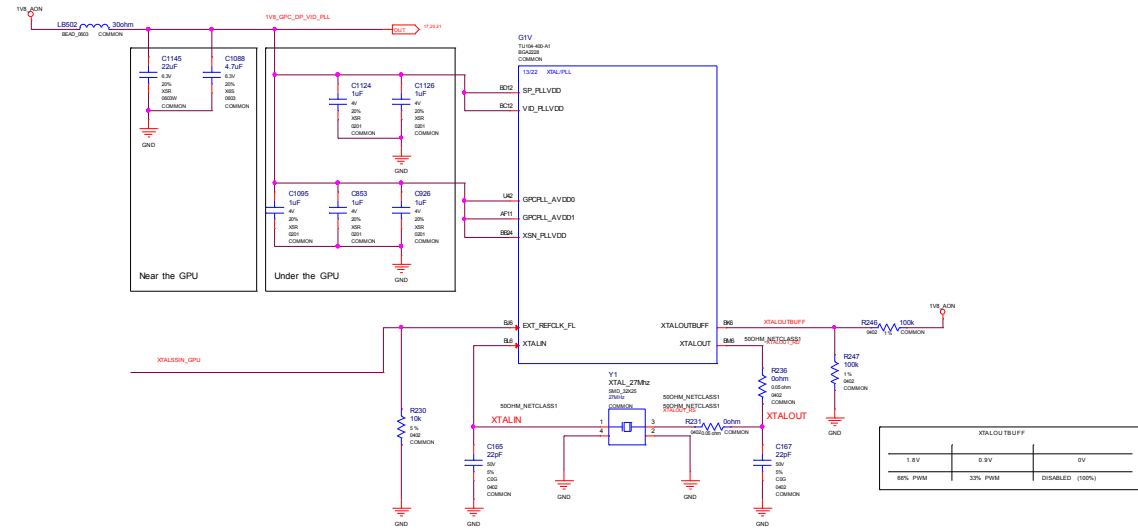
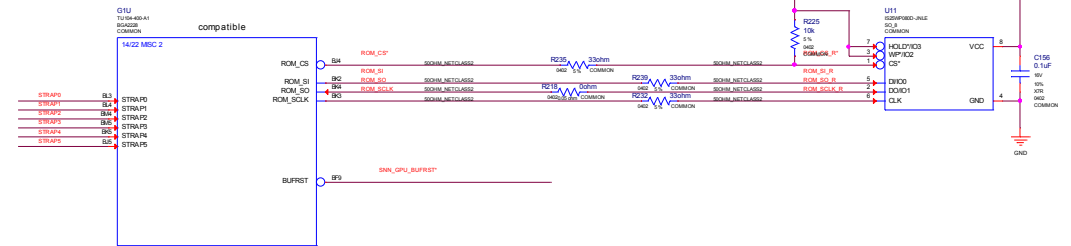
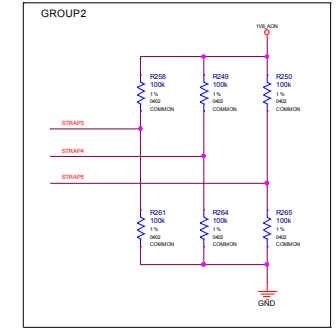
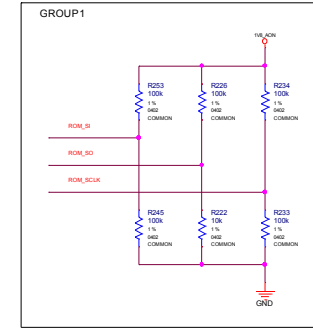
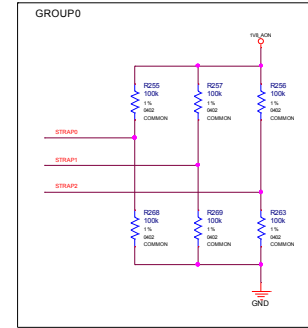
| ROM_SO | ROM_SI | ROM_SCLK | DUMMY[2:0].FS_OVERT | 1:ENABLE 0:DISABLE | |
|--------|--------|----------|---------------------|--------------------|---------|
| L | L | L | XXX1 | FS_OVERT ENABLE | DEFAULT |
| L | L | M | XXX0 | FS_OVERT DISABLE | |

| STRAP5 | STRAP4 | STRAP3 | SMB_ALT_ADDR | DEVID_SEL | PCI_E_CFG | VGA_DEVICE |
|--------|--------|--------|--------------|-----------|-----------|------------|
| M | H | H | 1 | 1 | 1 | 1 |
| M | H | L | 1 | 1 | 1 | 0 |
| M | L | H | 1 | 1 | 0 | 1 |
| M | L | L | 1 | 1 | 0 | 0 |
| L | H | M | 1 | 0 | 1 | 1 |
| L | M | L | 1 | 0 | 1 | 0 |
| L | L | M | 1 | 0 | 0 | 0 |
| H | H | H | 0 | 1 | 1 | 1 |
| H | H | L | 0 | 1 | 1 | 0 |
| H | L | H | 0 | 1 | 0 | 1 |
| H | L | L | 0 | 1 | 0 | 0 |
| L | H | H | 0 | 0 | 1 | 1 |
| L | H | L | 0 | 0 | 1 | 0 |
| L | L | H | 0 | 0 | 0 | 1 DEFAULT |
| L | L | L | 0 | 0 | 0 | 0 |

H=High :Tied to 1.8V
M=Middle:Tied to 0.9V
L=Low :Tied to 0V

1:SMB_ALT_ADDR ENABLE
0:SMB_ALT_ADDR DISABLE
1:DEVID_SEL REBRAND
0:DEVID_SEL ORIGNAL

1:PCI_E_CFG LOW POWER
0:PCI_E_CFG HIGH POWER
1:VGA_DEVICE ENABLE
0:VGA_DEVICE DISABLE



| XTALOUTBUFF | | |
|-------------|---------|-----------------|
| 1.8V | 0.9V | 0V |
| 80% PWM | 33% PWM | DISABLED (100%) |

NVIDIA CORPORATION
2701 SAN TOMAS EXPRESSWAY
SANTA CLARA, CA 95050, USA

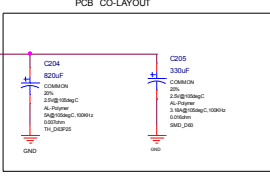
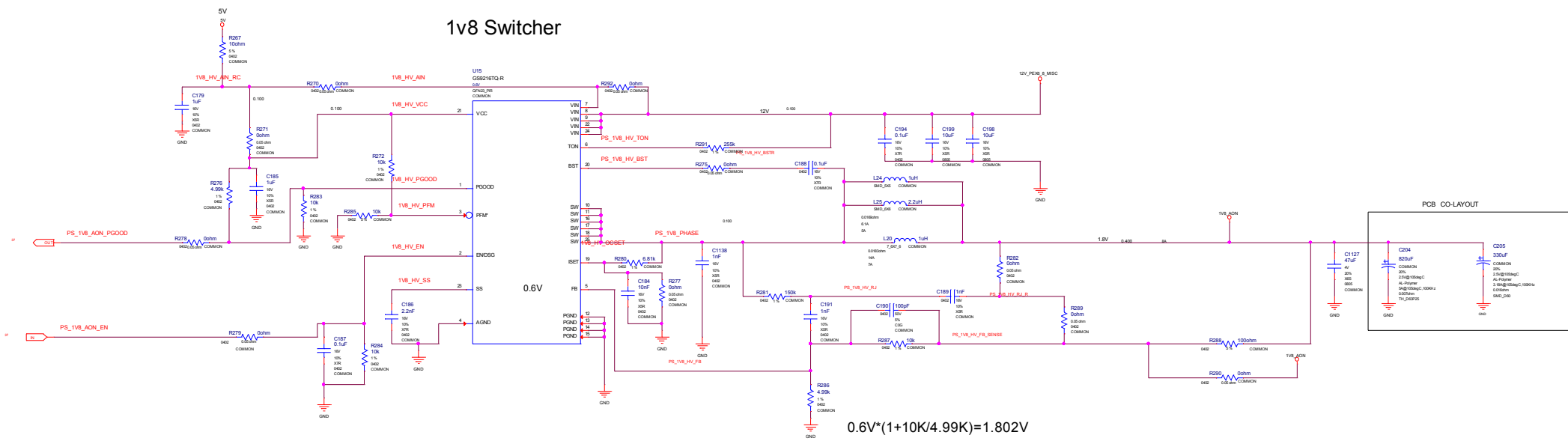


NV_PN **600-1G165-BASE-000**
PCB REV PG165-ADD PRGE 25 OF 42
ROM REV BA DATE 14 DEC 2018

| | |
|-------------|--------------------------|
| ASSEMBLY | <ASSEMBLY_DESCRIPTION> |
| PAGE DETAIL | MISC2: ROM, XTAL, STRAPS |

ALL NVIDIA DESIGN SPECIFICATIONS, REFERENCE SPECIFICATIONS, REFERENCE BOARDS, FILES, DRAWINGS, DIAGNOSTICS, LISTS AND OTHER DOCUMENTS (TOGETHER AND SEPARATELY, "MATERIALS") ARE BEING PROVIDED "AS IS" THE MATERIALS MAY CONTAIN KNOWN AND UNKNOWN VIOLATIONS OR DEVIATIONS OF INDUSTRY STANDARDS AND SPECIFICATIONS. NVIDIA MAKES NO WARRANTIES, EXPRESSED, IMPLIED, STATUTORY OR OTHERWISE, WITH RESPECT TO THE MATERIALS OR OTHERWISE, AND EXPRESSLY DISCLAIMS ALL IMPLIED WARRANTIES INCLUDING, WITHOUT LIMITATION, THE WARRANTIES OF DESIGN, OF NON-INFRINGEMENT, MERCHANTABILITY OR FITNESS FOR A PARTICULAR PURPOSE, OR ARISING FROM A COURSE OF DEALING, TRADE USAGE, TRADE PRACTICE, OR INDUSTRY STANDARDS.

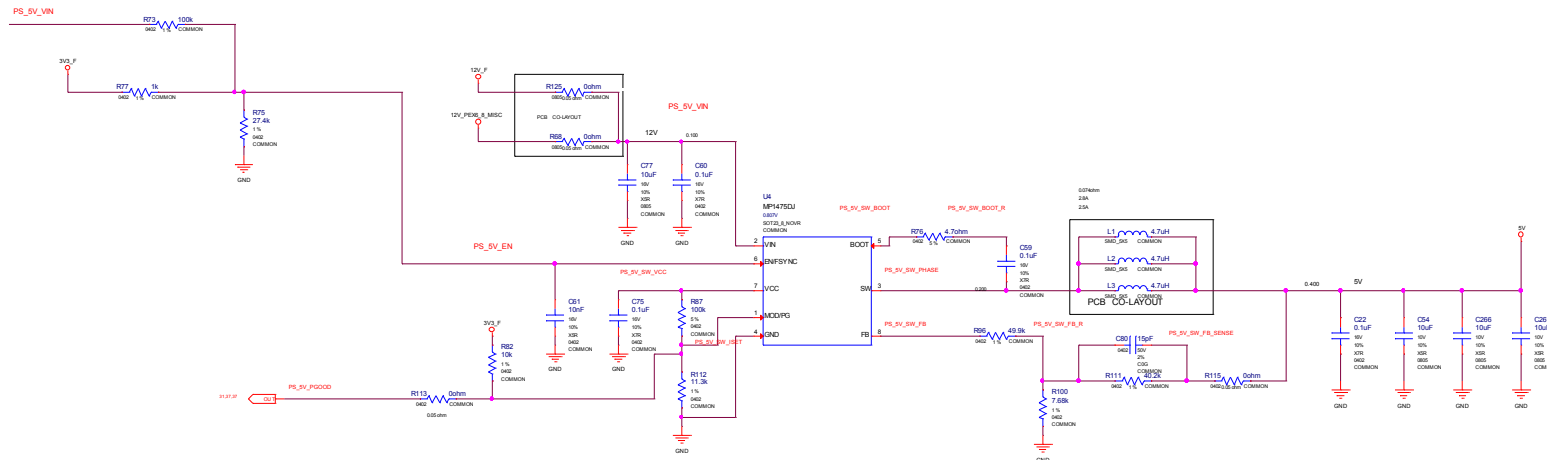
1v8 Switcher



| | | | |
|----------------------------|--------------------|------|-------------|
| NVIDIA CORPORATION | | | |
| 2701 SAN TOMAS EXPRESSWAY | | | |
| SANTA CLARA, CA 95050, USA | | | |
| NV_PN | 600-1G165-BASE-000 | PKG | 28 OF 42 |
| PCB REV | PG165-A00 | DATE | 14-DEC-2018 |
| BCM REV | B | | |

ALL NVIDIA DESIGN SPECIFICATIONS, REFERENCE SPECIFICATIONS, REFERENCE BOARDS, FILES, DRAWINGS, DIAGNOSTICS, LISTS AND OTHER DOCUMENTS OR INFORMATION (TOGETHER AND SEPARATELY, "MATERIALS") ARE BEING PROVIDED "AS IS". THE MATERIALS MAY CONTAIN KNOWN AND UNKNOWN VIOLATIONS OR DEVIATIONS OF INDUSTRY STANDARDS AND SPECIFICATIONS. NVIDIA MAKES NO WARRANTIES, EXPRESSED, IMPLIED, STATUTORY OR OTHERWISE, WITH RESPECT TO THE MATERIALS AND EXPRESSLY DISCLAIMS ALL IMPLIED WARRANTIES INCLUDING, WITHOUT LIMITATION, THE WARRANTIES OF DESIGN, OF NON-INFRINGEMENT, MERCHANTABILITY OR FITNESS FOR A PARTICULAR PURPOSE, OR ARISING FROM A COURSE OF DEALING, TRADE USAGE, TRADE PRACTICE, OR INDUSTRY STANDARDS.

| | |
|------------|------------------------|
| ASSEMBLY | -ASSEMBLY DESCRIPTION- |
| PCB DETAIL | PS: 1V8_AON |



$$0.8V * (1 + 40.2K / 7.68K) = 4.9875V$$

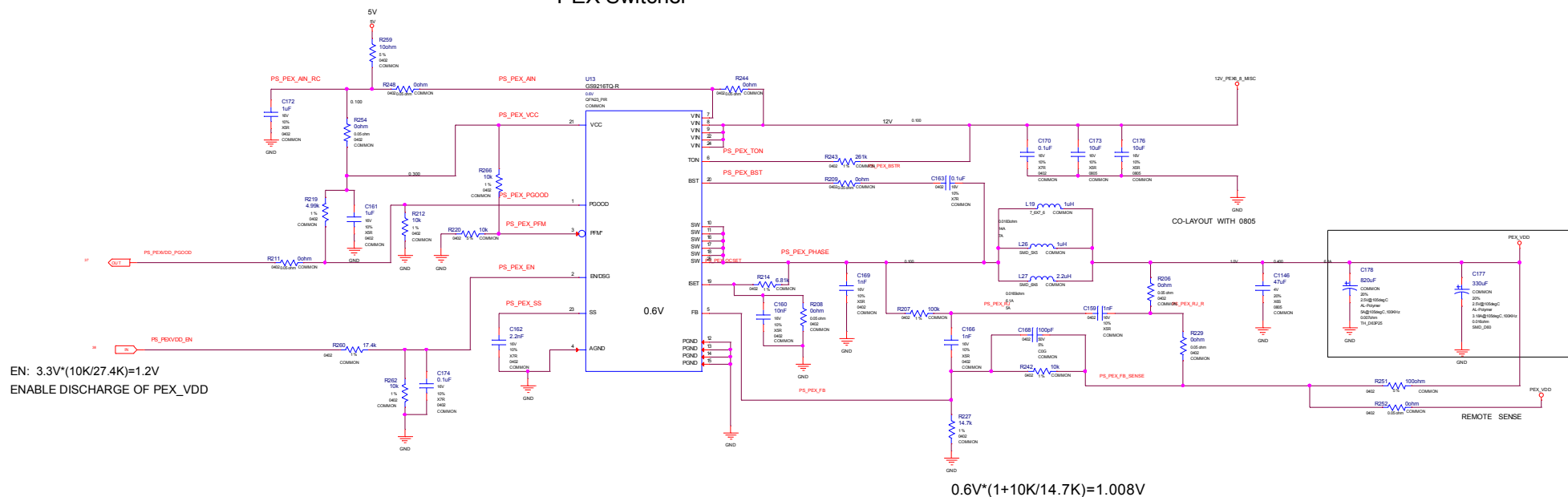
ALL NVIDIA DESIGN SPECIFICATIONS, REFERENCE SPECIFICATIONS, REFERENCE BOARDS, FILES, DRAWINGS, DIAGNOSTICS, LISTS AND OTHER DOCUMENTS (TOGETHER AND SEPARATELY, "MATERIALS") ARE BEING PROVIDED "AS IS". THE MATERIALS MAY CONTAIN KNOWN AND UNKNOWN VIOLATIONS OR DEVIATIONS OF INDUSTRY STANDARDS AND SPECIFICATIONS. NVIDIA MAKES NO WARRANTIES, EXPRESSED, IMPLIED, STATUTORY OR OTHERWISE WITH RESPECT TO THE MATERIALS AND EXPRESSLY DISCLAIMS ALL IMPLIED WARRANTIES, INCLUDING, WITHOUT LIMITATION, THE WARRANTIES OF DESIGN, OF NONINFRINGEMENT, MERCHANTABILITY OR FITNESS FOR A PARTICULAR PURPOSE, OR ARISING FROM A COURSE OF DEALING, TRADE USAGE, TRADE PRACTICE, OR INDUSTRY STANDARDS.

| | |
|------------|------------------------|
| ASSEMBLY | <ASSEMBLY_DESCRIPTION> |
| PCB DETAIL | PS_5V |

| | | | |
|--|--------------------|------|-------------|
| NVIDIA CORPORATION 2701 SAN TOMAS EXPRESSWAY SANTA CLARA, CA 95050, USA | | | |
| NV_PN | 600-1G165-BASE-000 | PG#E | 27 OF 42 |
| PCB REV | PG165-ADD | DATE | 14-DEC-2018 |
| BOM REV | B | | |




PEX Switcher



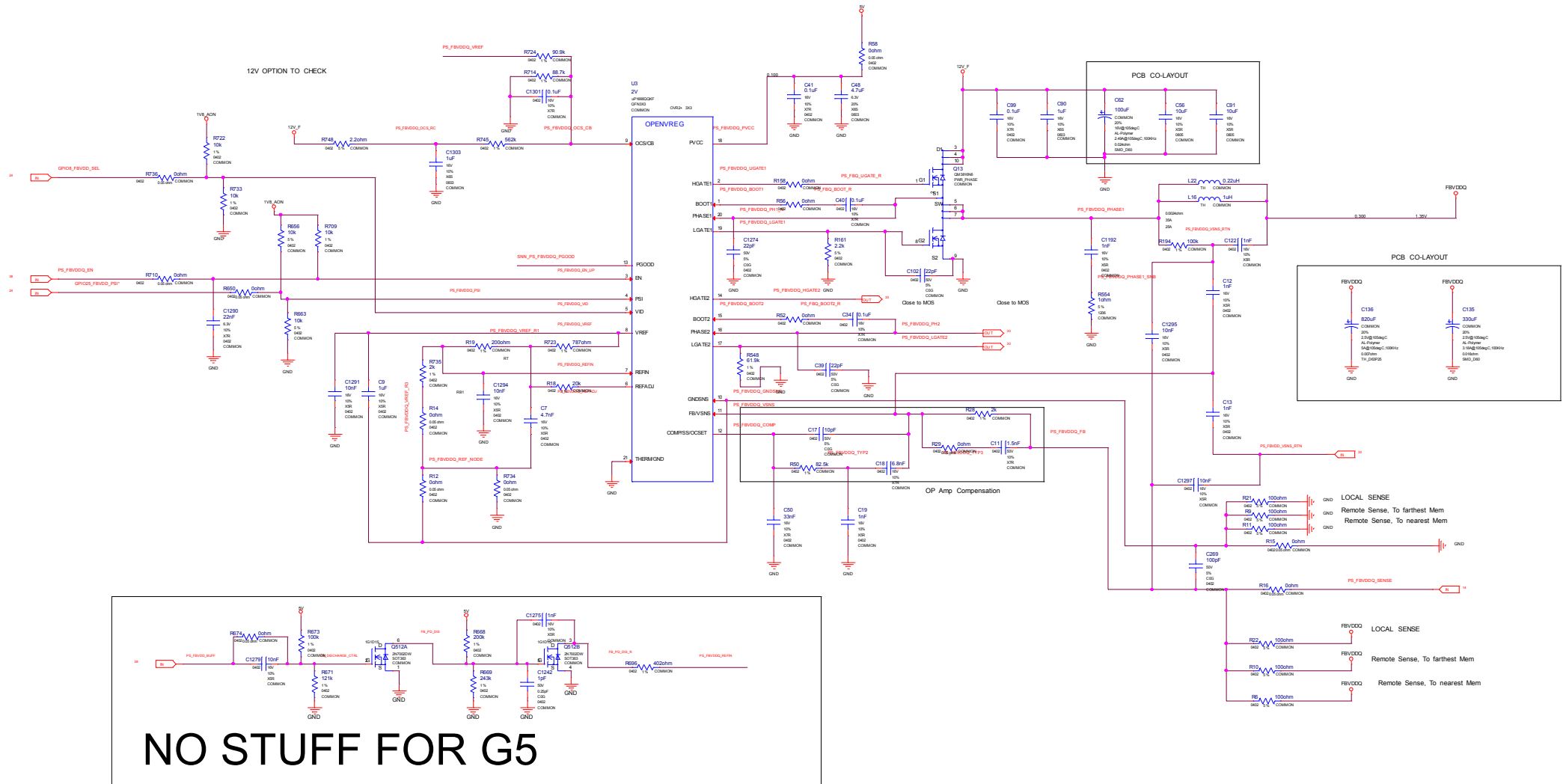
EN: 3.3V*(10K/27.4K)=1.2V
ENABLE DISCHARGE OF PEX_VDD

$$0.6V * (1 + 10K / 14.7K) = 1.008V$$

| | | |
|---|--------------------------------------|---|
| VIDIA CORPORATION 2701 SAN TOMAS EXPRESSWAY SANTA CLARA, CA 95050, USA | |  |
| NV_PN PCB REV BOM REV | 600-1G165-BASE-000 PG165-ADD B | |

| | |
|-------------|------------------------|
| ASSEMBLY | <ASSEMBLY_DESCRIPTION> |
| PAGE DETAIL | PS_PEXVDD |

ALL NVIDIA DESIGN SPECIFICATIONS, REFERENCE SPECIFICATIONS, REFERENCE BOARDS, FILES, DRAWINGS, DIAGNOSTICS, LISTS AND OTHER DOCUMENTS (TOGETHER AND SEPARATELY, "MATERIALS") ARE BEING PROVIDED "AS IS". THE MATERIALS MAY CONTAIN KNOWN AND UNKNOWN VIOLATIONS OR DEVIATIONS OF INDUSTRY STANDARDS AND SPECIFICATIONS. NVIDIA MAKES NO WARRANTIES, EXPRESSED OR OTHERWISE, WITH REGARD TO THE MATERIALS OR OTHERWISE, AND EXPRESSLY DISCLAIMS ALL IMPLIED WARRANTIES INCLUDING, WITHOUT LIMITATION, THE WARRANTIES OF DESIGN, OF NON-INFRINGEMENT, MERCHANTABILITY OR FITNESS FOR A PARTICULAR PURPOSE, OR ARISING FROM A COURSE OF DEALING, TRADE USAGE, TRADE PRACTICE, OR INDUSTRY STANDARDS.

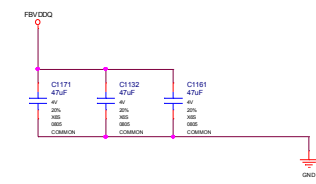
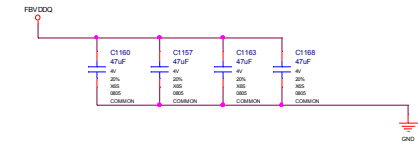
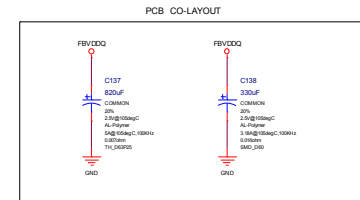
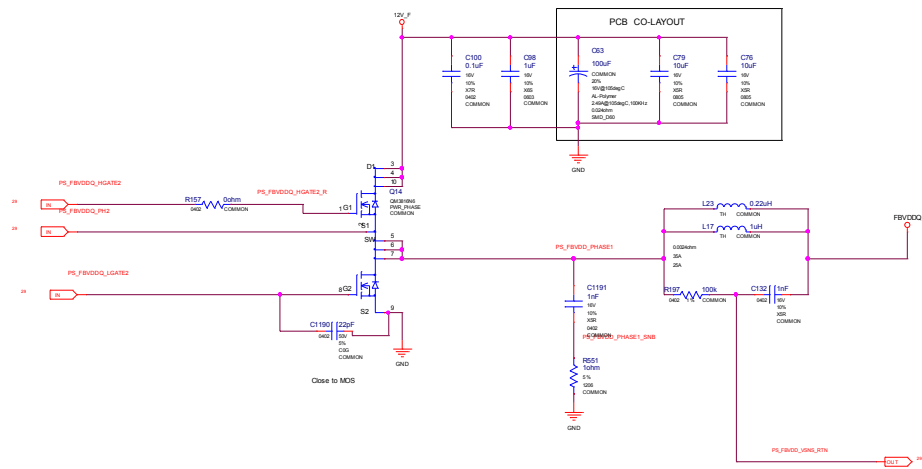


NO STUFF FOR G5

| | | | |
|-----------------|--|------------------------|--|
| ASSEMBLY | | -ASSEMBLY_DESCRIPTION- | |
| PAGE DETAIL | | PS_FBVDDQ | |
| NV_PN | | 600-1G165-BASE-000 | |
| PCB REV | | PG165-ADD | |
| BOM REV | | B | |
| DATE | | 14-DEC-2018 | |
| PAGE | | 29 OF 42 | |

ALL NVIDIA DESIGN SPECIFICATIONS, REFERENCE SPECIFICATIONS, REFERENCE BOARDS, FILES, DRAWINGS, DIAGNOSTICS, LISTS AND OTHER DOCUMENTS OR INFORMATION (TOGETHER AND SEPARATELY, "MATERIALS") ARE BEING PROVIDED "AS IS". THE MATERIALS MAY CONTAIN KNOWN AND UNKNOWN VIOLATIONS OR DEVIATIONS OF INDUSTRY STANDARDS AND SPECIFICATIONS. NVIDIA MAKES NO WARRANTIES, EXPRESSED, IMPLIED, STATUTORY OR OTHERWISE, WITH RESPECT TO THE MATERIALS AND EXPRESSLY DISCLAIMS ALL IMPLIED WARRANTIES INCLUDING, WITHOUT LIMITATION, THE WARRANTIES OF DESIGN, OF NON-INFRINGEMENT, MERCHANTABILITY OR FITNESS FOR A PARTICULAR PURPOSE, OR ARISING FROM A COURSE OF DEALING, TRADE USAGE, TRADE PRACTICE, OR INDUSTRY STANDARDS.



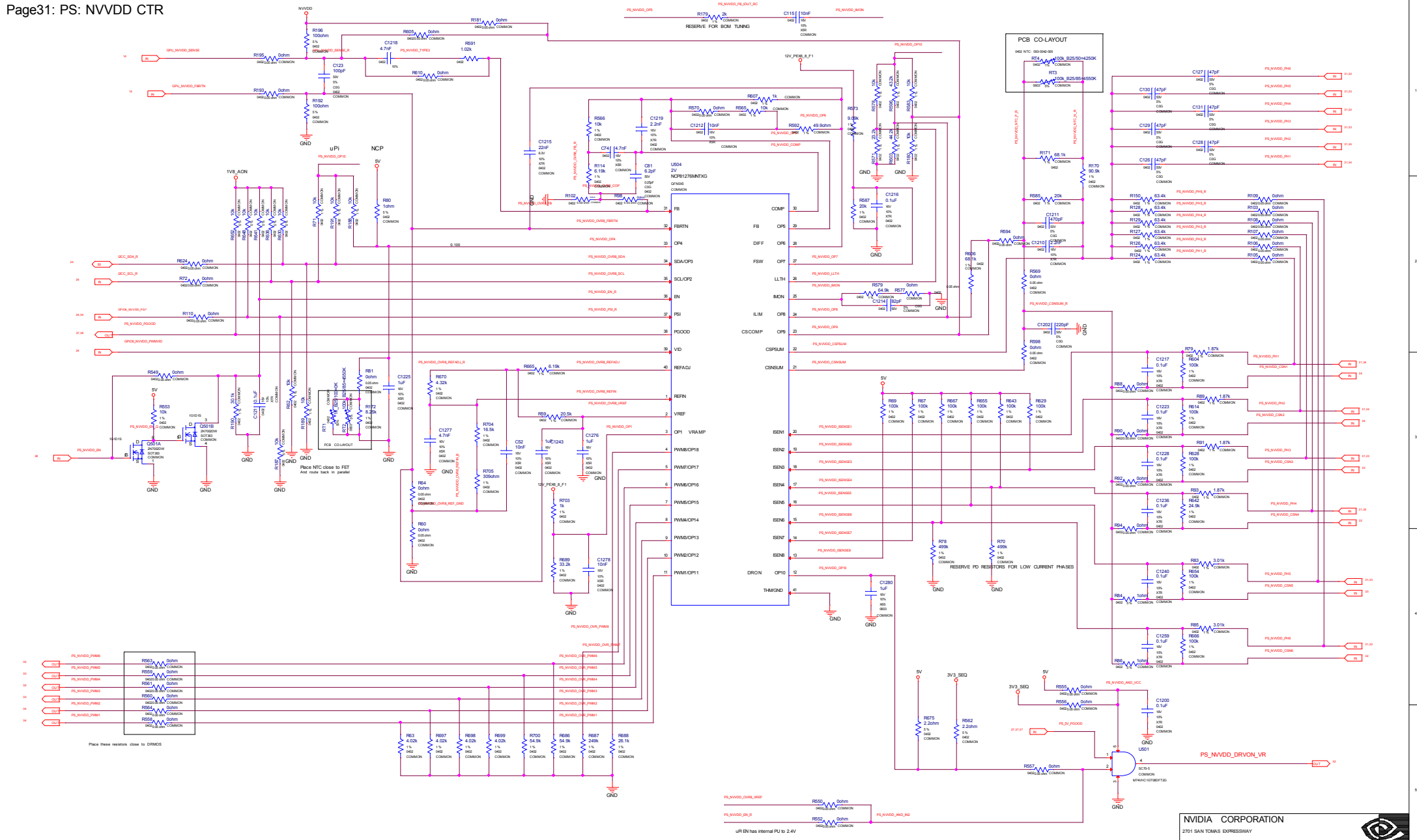


ALL NVIDIA DESIGN SPECIFICATIONS, REFERENCE SPECIFICATIONS, REFERENCE BOARDS, FILES, DRAWINGS, DIAGNOSTICS, LISTS AND OTHER DOCUMENTS OR INFORMATION (TOGETHER AND SEPARATELY, "MATERIALS") ARE BEING PROVIDED "AS IS". THE MATERIALS MAY CONTAIN KNOWN AND UNKNOWN VIOLATIONS OR DEVIATIONS OF INDUSTRY STANDARDS AND SPECIFICATIONS. NVIDIA MAKES NO WARRANTIES, EXPRESSED, IMPLIED, STATUTORY OR OTHERWISE, WITH RESPECT TO THE MATERIALS AND EXPRESSLY DISCLAIMS ALL IMPLIED WARRANTIES INCLUDING, WITHOUT LIMITATION, THE WARRANTIES OF DESIGN, OF NONINFRINGEMENT, MERCHANTABILITY OR FITNESS FOR A PARTICULAR PURPOSE, OR ARISING FROM A COURSE OF DEALING, TRADE USAGE, TRADE PRACTICE, OR INDUSTRY STANDARDS.

| ASSEMBLY | ASSEMBLY DESCRIPTION |
|-------------|----------------------|
| FRGE DETAIL | PS: FBVDDQ PH2 |

| | | | |
|--|--------------------|------|-------------|
| NVIDIA CORPORATION 2701 SAN TOMAS EXPRESSWAY SANTA CLARA, CA 95050, USA | | | |
| NV_PN | 600-1G165-BASE-000 | FRGE | 30 OF 42 |
| PCB REV | PG165-A00 | DATE | 14-DEC-2018 |
| BCM REV | B | | |






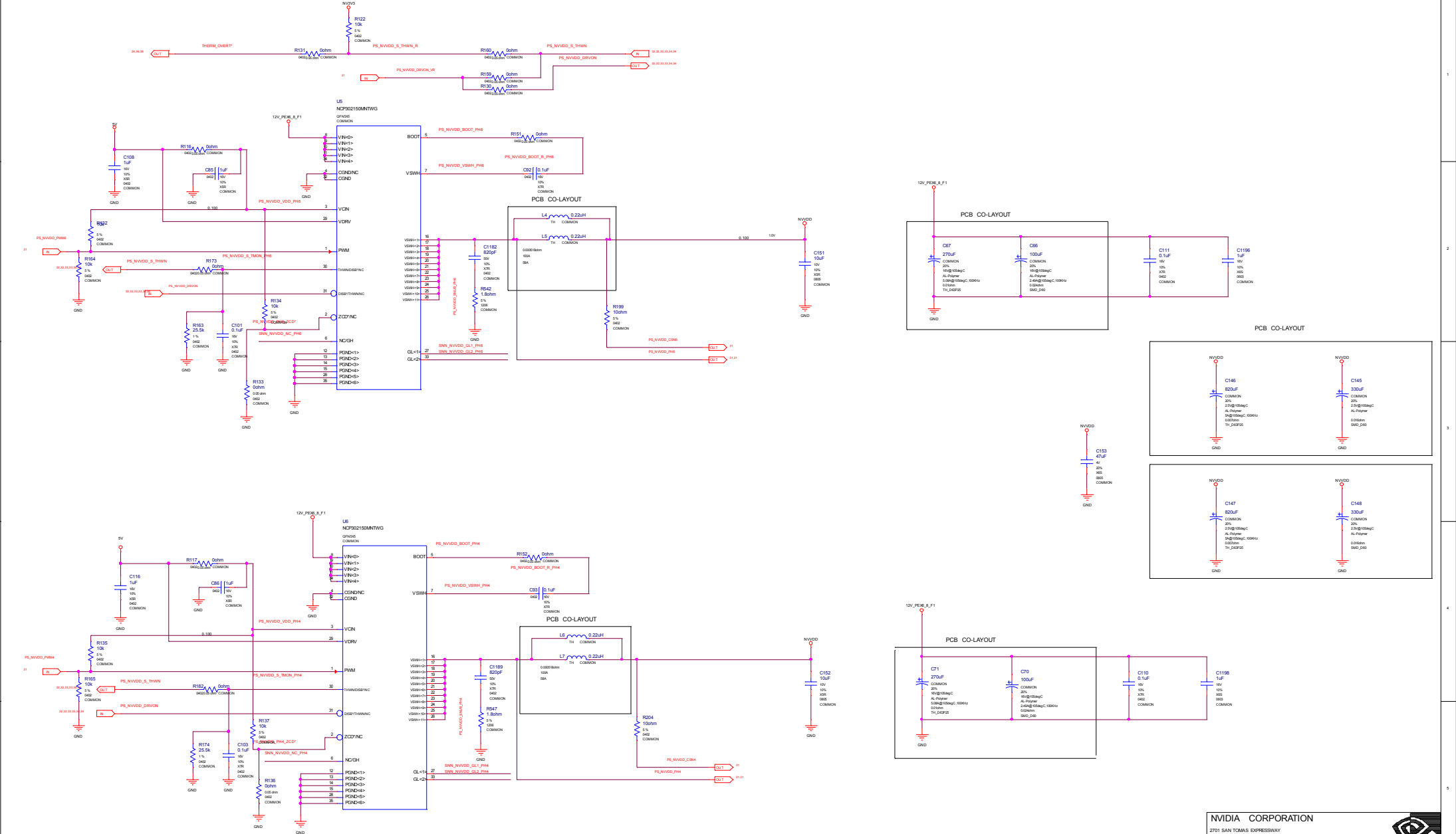
ALL NVIDIA DESIGN SPECIFICATIONS, REFERENCE SPECIFICATIONS, REFERENCE BOARDS, FILES, DRAWINGS, DIAGNOSTICS, LISTS AND OTHER DOCUMENTS OR INFORMATION (TOGETHER AND SEPARATELY, "MATERIALS") ARE BEING PROVIDED "AS IS". THE MATERIALS MAY CONTAIN KNOWN AND UNKNOWN VULNERABILITIES OR DEVIATIONS OF INDUSTRY STANDARDS AND SPECIFICATIONS. NVIDIA MAKES NO WARRANTIES, EXPRESSED, IMPLIED, STATUTORY OR OTHERWISE, WITH RESPECT TO THE MATERIALS OR OTHERWISE. NVIDIA DISCLAIMS ALL IMPLIED WARRANTIES INCLUDING, WITHOUT LIMITATION, THE WARRANTIES OF DESIGN, OF NONINFRINGEMENT, MERCHANTABILITY OR FITNESS FOR A PARTICULAR PURPOSE, OR ARISING FROM A COURSE OF DEALING, TRADE USAGE, TRADE PRACTICE, OR INDUSTRY STANDARDS.


| | |
|-------------|------------------------|
| ASSEMBLY | "ASSEMBLY DESCRIPTION" |
| PAGE DETAIL | PS: NVVDD Controller |

NVIDIA CORPORATION
 2701 SAN TOMAS EXPRESSWAY
 SANTA CLARA, CA 95050, USA

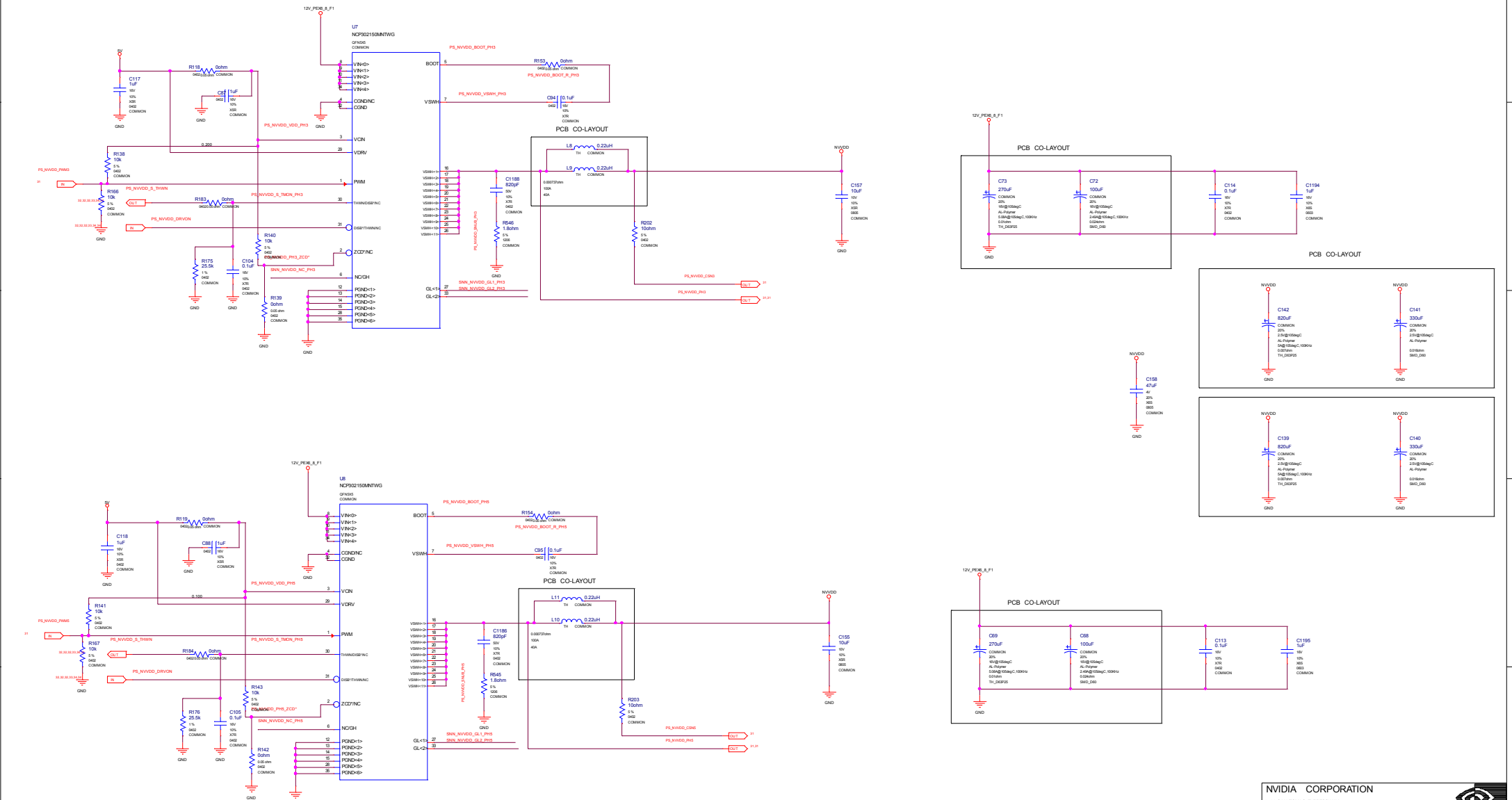


| | |
|---------|--------------------|
| NV_PN | 600-1G165-BASE-000 |
| PCB REV | PG165-A00 |
| BOM REV | B |
| PAGE | 31 OF 42 |
| DATE | 14-DEC-2018 |



NVIDIA CORPORATION
 2701 SAN TOMAS EXPRESSWAY
 SANTA CLARA, CA 95050, USA


| | |
|-----------------------------|--------------------------------------|
| ASSEMBLY | <ASSEMBLY_DESCRIPTION> |
| PAGE DETAIL | PS: NVVDD Phase 6.4 |
| NV_PN PCB REV BOM REV | 600-1G165-BASE-000 PG165-A00 B |
| PRGE | 32 OF 42 |
| DATE | 14 DEC 2018 |




| | |
|-------------|------------------------|
| ASSEMBLY | <ASSEMBLY_DESCRIPTION> |
| PAGE DETAIL | PS: NVVDD Phase 3.5 |

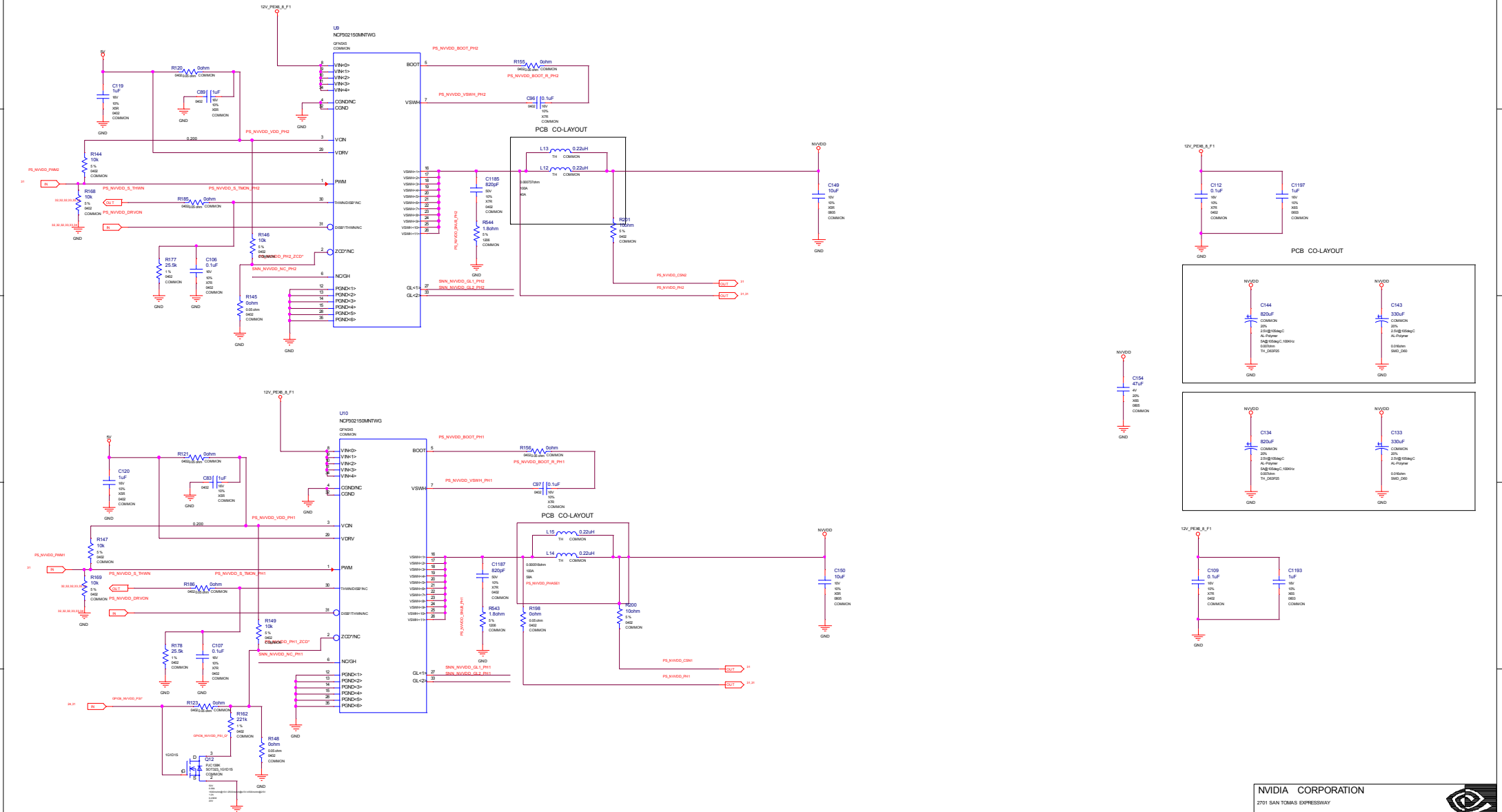
ALL NVIDIA DESIGN SPECIFICATIONS, REFERENCE SPECIFICATIONS, REFERENCE STANDARDS, FILES, DRAWINGS, DIAGNOSTICS, LISTS AND OTHER DOCUMENTS (TOGETHER AND SEPARATELY, "MATERIALS") ARE BEING PROVIDED "AS IS". THE MATERIALS MAY CONTAIN KNOWN AND UNKNOWN VIOLATIONS OR DEVIATIONS OF INDUSTRY STANDARDS. NVIDIA MAKES NO WARRANTIES, EXPRESSED, IMPLIED, STATUTORY OR OTHERWISE, WITH RESPECT TO THE MATERIALS AND EXPRESSLY DISCLAIMS ALL IMPLIED WARRANTIES INCLUDING, WITHOUT LIMITATION, THE WARRANTIES OF DESIGN, OF NON-INFRINGEMENT, MERCHANTABILITY OR FITNESS FOR A PARTICULAR PURPOSE, OR ARISING FROM A COURSE OF DEALING, TRADE USAGE, TRADE PRACTICE, OR INDUSTRY STANDARDS.

NVIDIA CORPORATION
 2701 SAN TOMAS EXPRESSWAY
 SANTA CLARA, CA 95050, USA

NV_PN 600-1G165-BASE-000


| | | | |
|---------|-----------|------|-------------|
| PCB REV | PG165-ADD | PRG# | 33 OF 42 |
| RCM REV | B | DATE | 14 DEC 2018 |



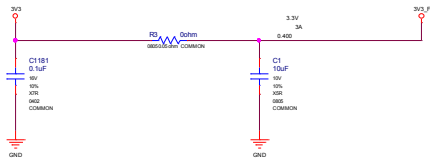


ALL NVIDIA DESIGN SPECIFICATIONS, REFERENCE SPECIFICATIONS, REFERENCE BOARDS, FILES, DRAWINGS, DIAGNOSTICS, LISTS AND OTHER DOCUMENTS (TOGETHER AND SEPARATELY, "MATERIALS") ARE BEING PROVIDED "AS IS". THE MATERIALS MAY CONTAIN KNOWN AND UNKNOWN VIOLATIONS OR DEVIATIONS OF INDUSTRY STANDARDS AND SPECIFICATIONS. NVIDIA MAKES NO WARRANTIES, EXPRESSED OR IMPLIED, STATUTORY OR OTHERWISE, WITH RESPECT TO THE MATERIALS AND EXPRESSLY DISCLAIMS ALL IMPLIED WARRANTIES INCLUDING, WITHOUT LIMITATION, THE WARRANTIES OF DESIGN, OF NON-INFRINGEMENT, MERCHANTABILITY OR FITNESS FOR A PARTICULAR PURPOSE, OR ARISING FROM A COURSE OF DEALING, TRADE USAGE, TRADE PRACTICE, OR INDUSTRY STANDARDS.

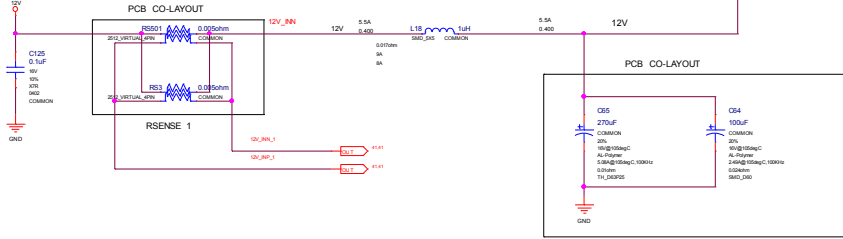
| | |
|----------|------------------------|
| ASSEMBLY | <ASSEMBLY_DESCRIPTION> |
| PAGE | DETAIL |
| ASSEMBLY | PS: NVVDD Phase 2.1 |

| | | | |
|---|--------------------|---|-------------|
| NVIDIA CORPORATION | |  | |
| 7701 SAN TOMAS EXPRESSWAY SANTA CLARA, CA 95050, USA | | | |
| NV_PN | 600-1G165-BASE-000 | PG# | 34 OF 42 |
| PCB REV | B | DATE | 14 DEC 2018 |

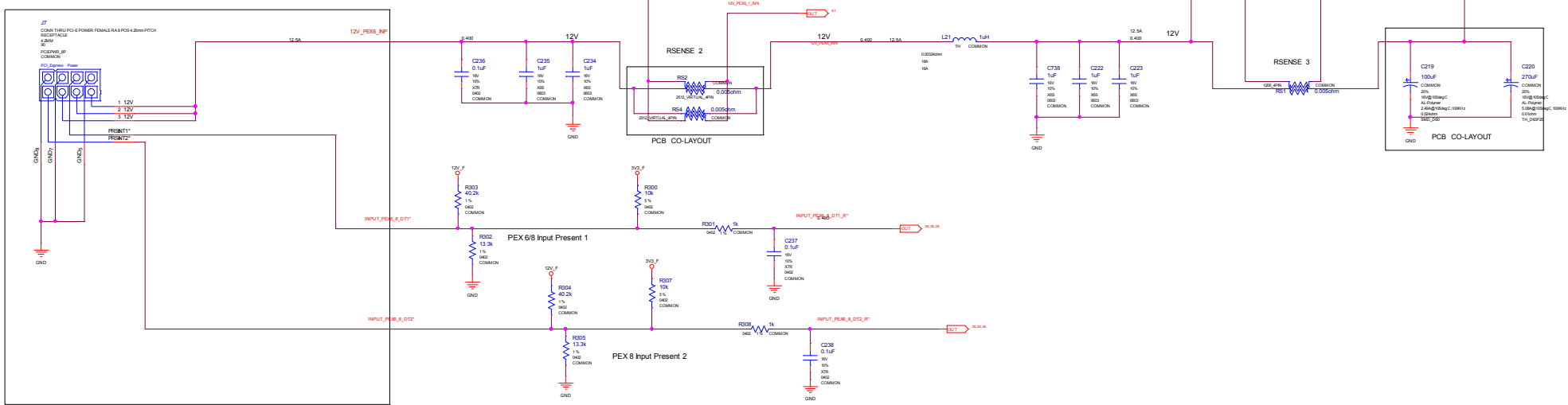
PEX 3V3 INPUT - 10W




PEX_12V INPUT - 66W



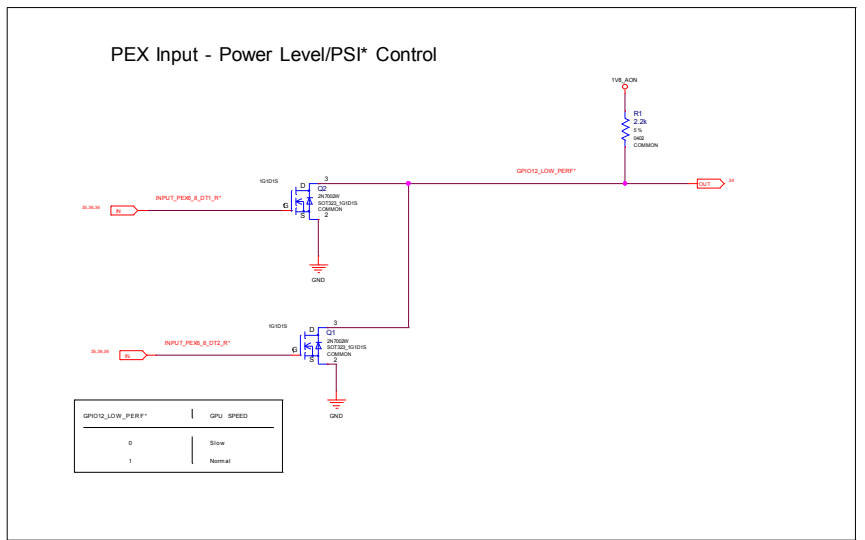
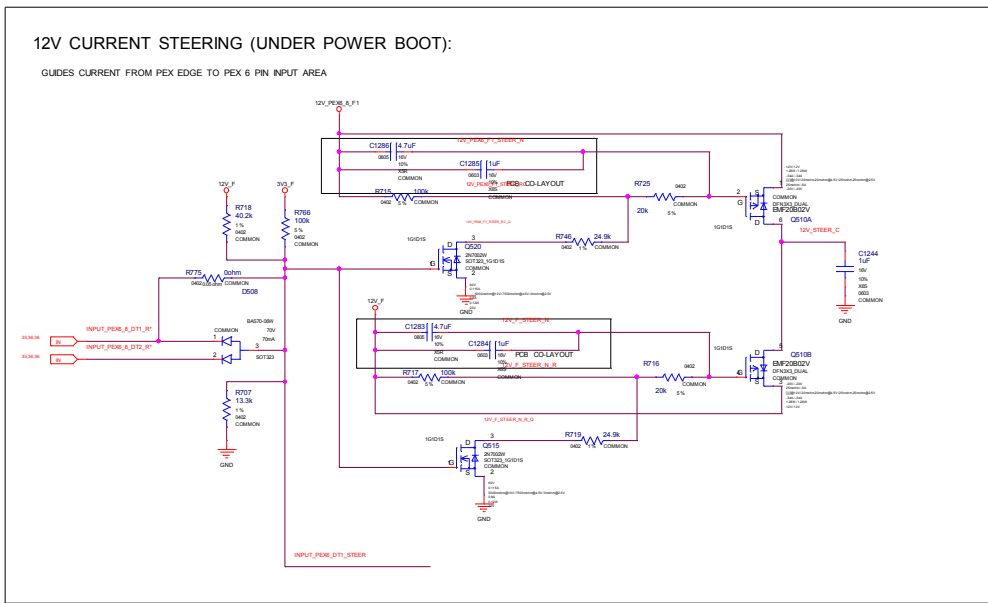
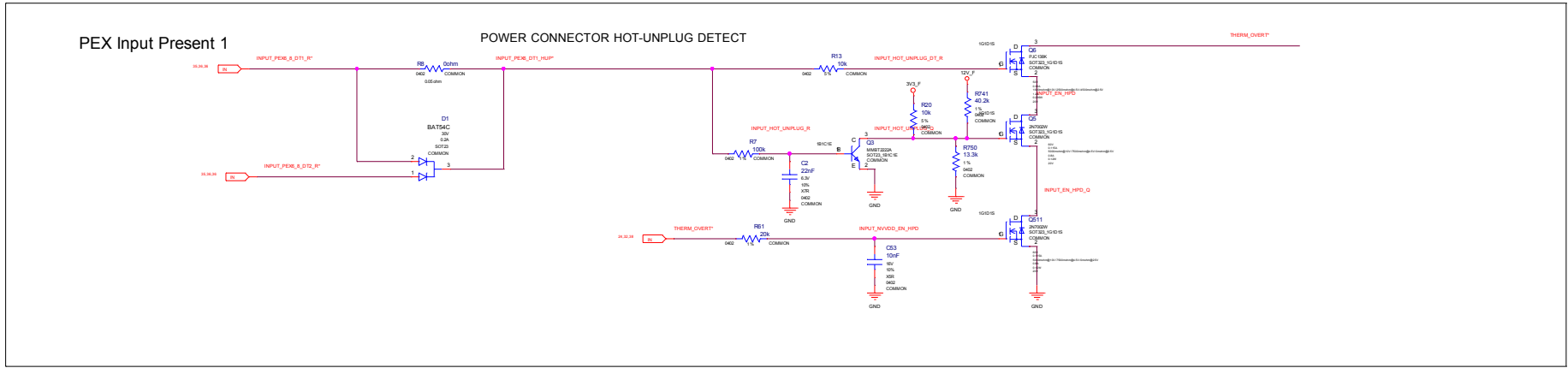
PEX8 INPUT 1 - 2x4 PCIE CON 150W



| | | | |
|--|--------------------------------------|---|-------------------------|
| NVIDIA CORPORATION 2701 SAN TOMAS EXPRESSWAY SANTA CLARA, CA 95050, USA | |  | |
| NV_PN PCB REV BOM REV | 600-1G165-BASE-000 PG165-ADD B | PRG E DATE | 35 OF 42 14-DEC-2018 |

ALL NVIDIA DESIGN SPECIFICATIONS, REFERENCE BOARDS, FILES, DRAWINGS, DIAGNOSTICS, LISTS AND OTHER DOCUMENTS (TOGETHER AND SEPARATELY, "MATERIALS") ARE BEING PROVIDED "AS IS". THE MATERIALS MAY CONTAIN KNOWN AND UNKNOWN VIOLATIONS OR DEVIATIONS OF INDUSTRY STANDARDS AND SPECIFICATIONS. NVIDIA MAKES NO WARRANTIES, EXPRESSED, IMPLIED, STATUTORY OR OTHERWISE WITH RESPECT TO THE MATERIALS AND EXPRESSLY DISCLAIMS ALL IMPLIED WARRANTIES INCLUDING, WITHOUT LIMITATION, THE WARRANTIES OF DESIGN, OF NONINFRINGEMENT, MERCHANTABILITY OR FITNESS FOR A PARTICULAR PURPOSE, OR ARISING FROM A COURSE OF DEALING, TRADE USAGE, TRADE PRACTICE, OR INDUSTRY STANDARDS.

| | |
|---|----------------------|
| ASSEMBLY | ASSEMBLY DESCRIPTION |
| PS: PEX_INPUT, 12V_EXT_INPUT, FILTERING | |



| | |
|-----------------|-----------|
| GPU12_LOW_PERF* | GPU SPEED |
| 0 | Slow |
| 1 | Normal |

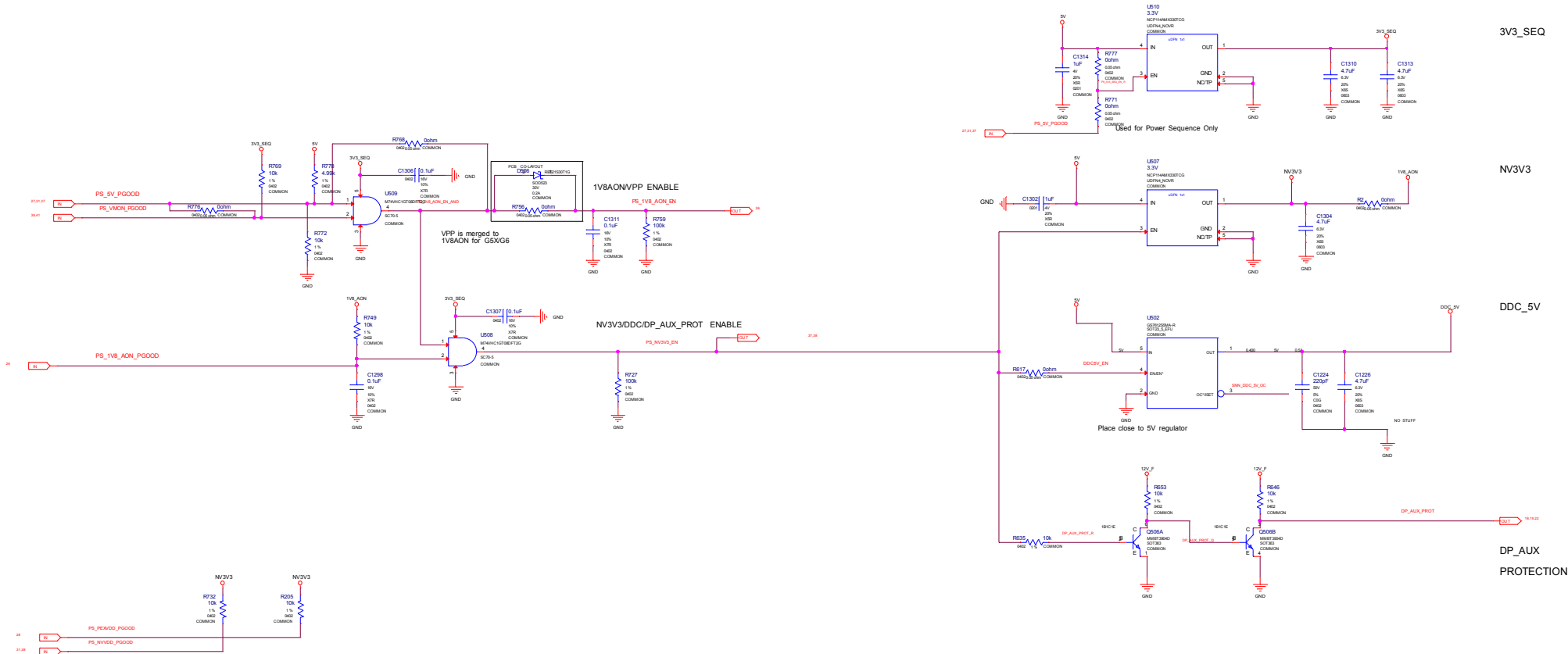
NVIDIA CORPORATION
 2701 SAN TOMAS EXPRESSWAY
 SANTA CLARA, CA 95050, USA



| | |
|-----------------------|--|
| ASSEMBLY DESCRIPTION: | PS: CURRENT STEERING, LPH, HCT, LPH, LUG |
| PCB REV | B |

| | |
|---------|--------------------|
| NV_PN | 600-1G165-BASE-000 |
| PCB REV | PG165-A00 |
| BCW REV | B |
| FRGE | 36 OF 42 |
| DATE | 14-DEC-2018 |

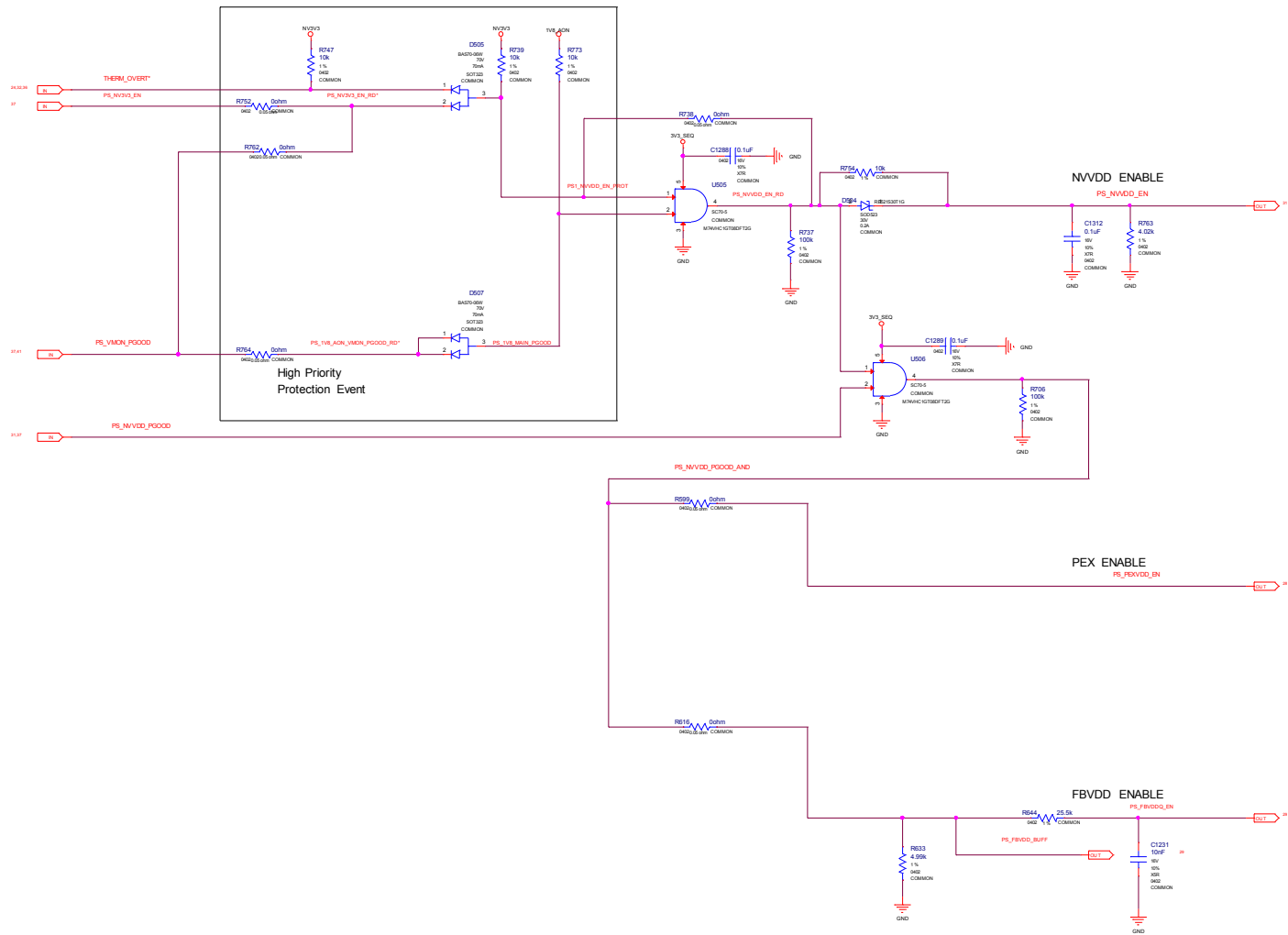
ALL NVIDIA DESIGN SPECIFICATIONS, REFERENCE SPECIFICATIONS, REFERENCE BOARDS, FILES, DRAWINGS, DIAGNOSTICS, LISTS AND OTHER DOCUMENTS (TOGETHER AND SEPARATELY, "MATERIALS") ARE BEING PROVIDED "AS IS". THE MATERIALS MAY CONTAIN KNOWN AND UNKNOWN VIOLATIONS OR DEVIATIONS OF INDUSTRY STANDARDS AND SPECIFICATIONS. NVIDIA MAKES NO WARRANTIES, EXPRESSED, IMPLIED, STATUTORY OR OTHERWISE, WITH RESPECT TO THE MATERIALS OR OTHERWISE, AND EXPRESSLY DISCLAIMS ALL IMPLIED WARRANTIES INCLUDING, WITHOUT LIMITATION, THE WARRANTIES OF DESIGN, OF NONINFRINGEMENT, MERCHANTABILITY OR FITNESS FOR A PARTICULAR PURPOSE, OR ARISING FROM A COURSE OF DEALING, TRADE USAGE, TRADE PRACTICE, OR INDUSTRY STANDARDS.



ALL NVIDIA DESIGN SPECIFICATIONS, REFERENCE SPECIFICATIONS, REFERENCE BOARDS, FILES, DRAWINGS, DIAGNOSTICS, LISTS AND OTHER DOCUMENTS (TOGETHER AND SEPARATELY, "MATERIALS") ARE BEING PROVIDED "AS IS" THE MATERIALS MAY CONTAIN KNOWN AND UNKNOWN VIOLATIONS OR DEVIATIONS OF INDUSTRY STANDARDS AND SPECIFICATIONS. NVIDIA MAKES NO WARRANTIES, EXPRESSED, IMPLIED, STATUTORY OR OTHERWISE WITH RESPECT TO THE MATERIALS AND EXPRESSLY DISCLAIMS ALL IMPLIED WARRANTIES INCLUDING, WITHOUT LIMITATION, THE WARRANTIES OF DESIGN, OF NON-INFRINGEMENT, MERCHANTABILITY OR FITNESS FOR A PARTICULAR PURPOSE, OR ARISING FROM A COURSE OF DEALING, TRADE USAGE, TRADE PRACTICE, OR INDUSTRY STANDARDS.

| | |
|-------------|--|
| ASSEMBLY | <ASSEMBLY_DESCRIPTION> |
| PAGE DETAIL | SEQ_1V8_AON_3V3_SEQ_NV3V3_DDC_5V_DP_AUX_PROT |

| | | | |
|---|--------------------|------|-------------|
| NVIDIA CORPORATION | | | |
| 2701 SAN TOMAS EXPRESSWAY SANTA CLARA, CA 95050, USA | | | |
| NV_PN | 600-1G165-BASE-000 | FRGE | 37 OF 42 |
| PCB REV | PG165-ADD | DATE | 14 DEC 2018 |
| BCM REV | B | | |

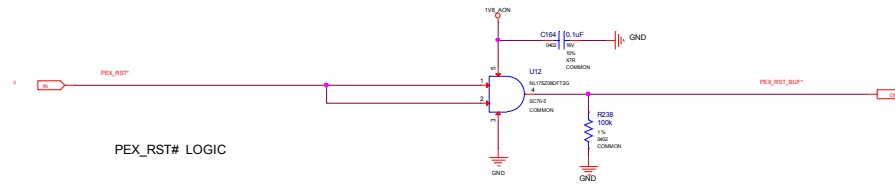
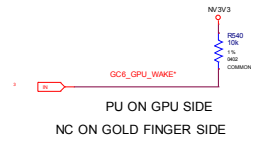


ALL NVIDIA DESIGN SPECIFICATIONS, REFERENCE SPECIFICATIONS, REFERENCE BOARDS, FILES, DRAWINGS, DIAGNOSTICS, LISTS AND OTHER DOCUMENTS (TOGETHER AND SEPARATELY, "MATERIALS") ARE BEING PROVIDED "AS IS". THE MATERIALS MAY CONTAIN KNOWN AND UNKNOWN VIOLATIONS OR DEVIATIONS OF INDUSTRY STANDARDS AND SPECIFICATIONS. NVIDIA MAKES NO WARRANTIES, EXPRESSED, IMPLIED, STATUTORY OR OTHERWISE WITH RESPECT TO THE MATERIALS AND EXPRESSLY DISCLAIMS ALL IMPLIED WARRANTIES INCLUDING, WITHOUT LIMITATION, THE WARRANTIES OF DESIGN, OF NON-INFRINGEMENT, MERCHANTABILITY OR FITNESS FOR A PARTICULAR PURPOSE, OR ARISING FROM A COURSE OF DEALING, TRADE USAGE, TRADE PRACTICE, OR INDUSTRY STANDARDS.


| | |
|-------------|--------------------------------|
| ASSEMBLY | <ASSEMBLY_DESCRIPTION> |
| PAGE DETAIL | SEQ: NVVDD, PEX, FBVDDQ ENABLE |

| | | | |
|--|--------------------|-------|-------------|
| NVIDIA CORPORATION 2701 SAN TOMAS EXPRESSWAY SANTA CLARA, CA 95050, USA | | | |
| NV_PN | 600-1G165-BASE-000 | PG:GE | 38 OF 42 |
| PCB REV | PG165-ADD | DATE | 14 DEC 2018 |
| BCM REV | B | DATE | 14 DEC 2018 |





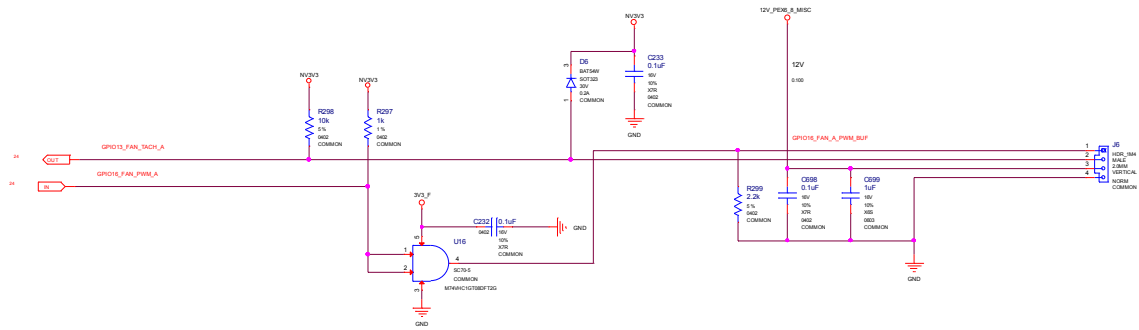
NVIDIA CORPORATION
 2701 SAN TOMAS EXPRESSWAY
 SANTA CLARA, CA 95050, USA



| | |
|-------------|------------------------|
| ASSEMBLY | <ASSEMBLY_DESCRIPTION> |
| PAGE DETAIL | SEQ: MISC |

ALL NVIDIA DESIGN SPECIFICATIONS, REFERENCE SPECIFICATIONS, REFERENCE BOARDS, FILES, DRAWINGS, DIAGNOSTICS, LISTS AND OTHER DOCUMENTS OR INFORMATION (TOGETHER AND SEPARATELY, "MATERIALS") ARE BEING PROVIDED "AS IS". THE MATERIALS MAY CONTAIN KNOWN AND UNKNOWN VIOLATIONS OR DEVIATIONS OF INDUSTRY STANDARDS AND SPECIFICATIONS. NVIDIA MAKES NO WARRANTIES, EXPRESSED, IMPLIED, STATUTORY OR OTHERWISE, WITH RESPECT TO THE MATERIALS OR OTHERWISE, AND EXPRESSLY DISCLAIMS ALL IMPLIED WARRANTIES, INCLUDING, WITHOUT LIMITATION, THE WARRANTIES OF DESIGN, OF NON-INFRINGEMENT, MERCHANTABILITY OR FITNESS FOR A PARTICULAR PURPOSE, OR ARISING FROM A COURSE OF DEALING, TRADE USAGE, TRADE PRACTICE, OR INDUSTRY STANDARDS.

| | | | |
|---------|--------------------|------|-------------|
| NV_PN | 600-1G165-BASE-000 | | |
| PCB REV | PG165-ADD | PKGE | 39 OF 42 |
| BCM REV | B | DATE | 14 DEC 2018 |

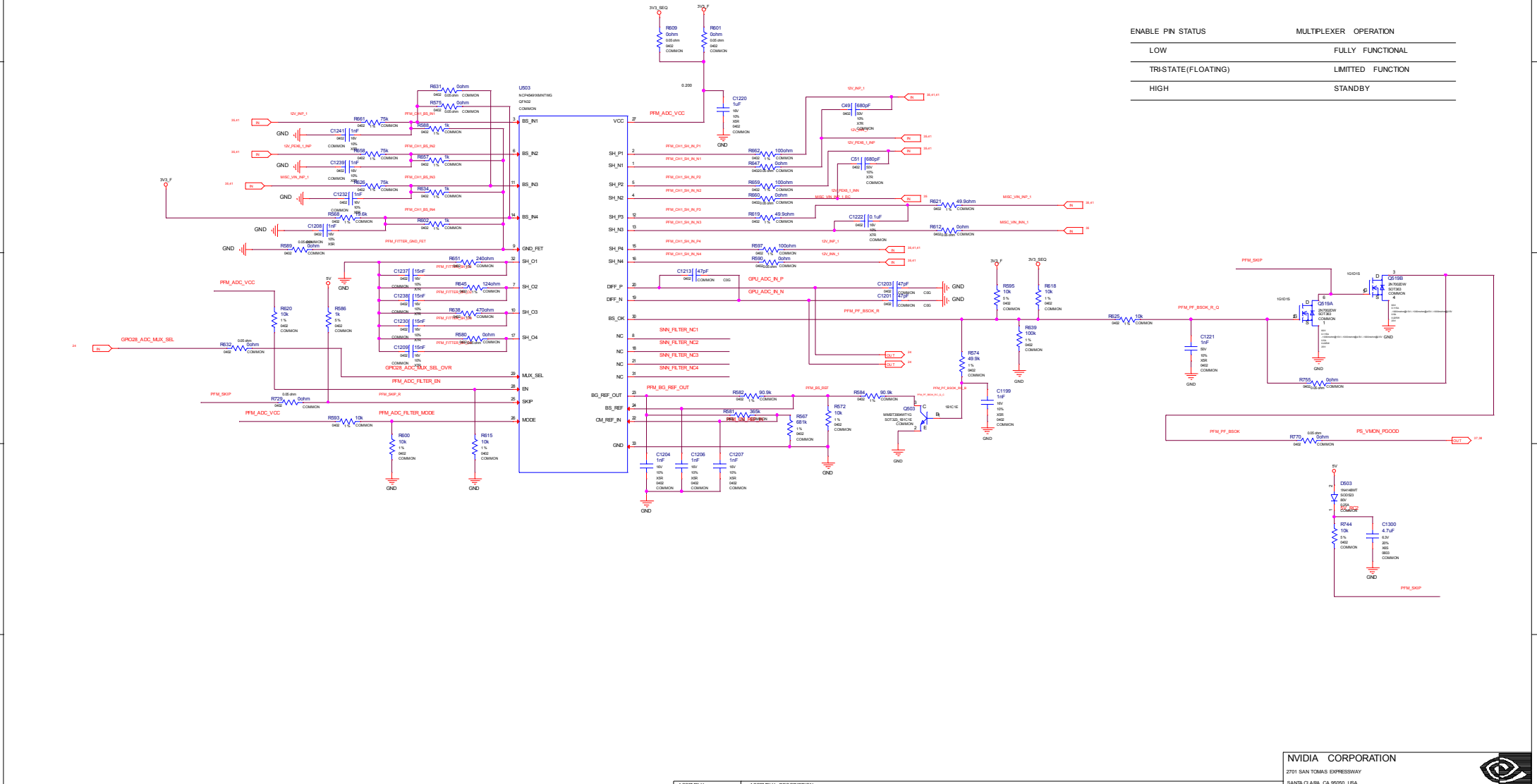


| | | | |
|--|--------------------|------|-------------|
| NVIDIA CORPORATION 2701 SAN TOMAS EXPRESSWAY SANTA CLARA, CA 95050, USA | | | |
| NV_PN | 600-1G165-BASE-000 | | |
| PCB REV | PG165-A00 | PKG# | 40 OF 42 |
| RCW REV | B | DATE | 14-DEC-2018 |



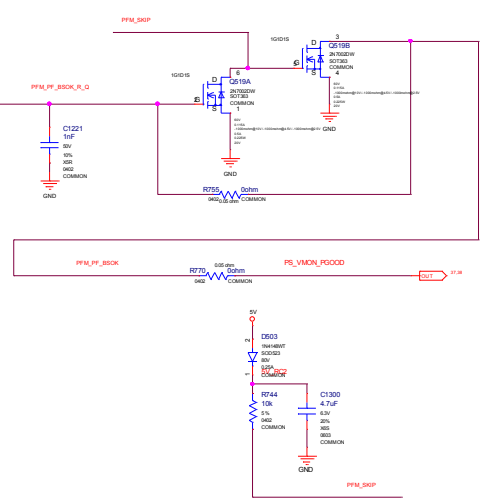
ALL NVIDIA DESIGN SPECIFICATIONS, REFERENCE SPECIFICATIONS, REFERENCE BOARDS, FILES, DRAWINGS, DIAGNOSTICS, LISTS AND OTHER DOCUMENTS (TOGETHER AND SEPARATELY, "MATERIALS") ARE BEING PROVIDED "AS IS". THE MATERIALS MAY CONTAIN KNOWN AND UNKNOWN VIOLATIONS OR DEVIATIONS OF INDUSTRY STANDARDS AND SPECIFICATIONS. NVIDIA MAKES NO WARRANTIES, EXPRESSED, IMPLIED, STATUTORY OR OTHERWISE, WITH RESPECT TO THE MATERIALS OR OTHERWISE, AND EXPRESSLY DISCLAIMS ALL IMPLIED WARRANTIES INCLUDING, WITHOUT LIMITATION, THE WARRANTIES OF DESIGN, OF NONINFRINGEMENT, MERCHANTABILITY OR FITNESS FOR A PARTICULAR PURPOSE, OR ARISING FROM A COURSE OF DEALING, TRADE USAGE, TRADE PRACTICE, OR INDUSTRY STANDARDS.

| | |
|------------|----------------------|
| ASSEMBLY | ASSEMBLY DESCRIPTION |
| PCB DETAIL | FAN |



| MODE PN STATUS | MULTIPLEXER OPERATION |
|---------------------|-----------------------|
| LOW | DEVICE A |
| TRI-STATE(FLOATING) | STAND-ALONE |
| HIGH | DEVICE B |

| ENABLE PN STATUS | MULTIPLEXER OPERATION |
|---------------------|-----------------------|
| LOW | FULLY FUNCTIONAL |
| TRI-STATE(FLOATING) | LIMITED FUNCTION |
| HIGH | STANDBY |



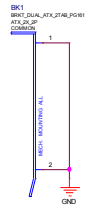
ALL NVIDIA DESIGN SPECIFICATIONS, REFERENCE SPECIFICATIONS, REFERENCE BOARDS, FILES, DRAWINGS, DIAGNOSTICS, LISTS AND OTHER DOCUMENTS (TOGETHER AND SEPARATELY, "MATERIALS") ARE BEING PROVIDED "AS IS". THE MATERIALS MAY CONTAIN KNOWN AND UNKNOWN VIOLATIONS OR DEVIATIONS OF INDUSTRY STANDARDS AND SPECIFICATIONS. NVIDIA MAKES NO WARRANTIES, EXPRESSED OR IMPLIED, STATUTORY OR OTHERWISE WITH RESPECT TO THE MATERIALS AND EXPRESSLY DISCLAIMS ALL IMPLIED WARRANTIES INCLUDING, WITHOUT LIMITATION, THE WARRANTIES OF DESIGN, OF NONINFRINGEMENT, MERCHANTABILITY OR FITNESS FOR A PARTICULAR PURPOSE. OR ARISING FROM A COURSE OF DEALING, TRADE USAGE, TRADE PRACTICE, OR INDUSTRY STANDARDS.

| | |
|------------|-----------------------|
| ASSSEMBLY | ASSSEMBLY DESCRIPTION |
| PCB DETAIL | PS_OVRM_PWR SENSE |

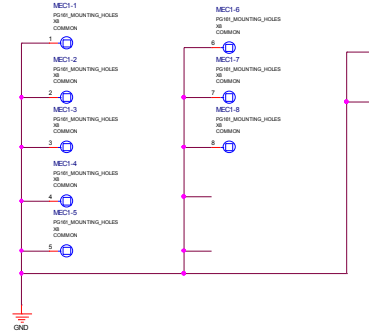
| | | | | | |
|--------------------|--------------------|---------------------------|-------------|----------------------------|----------|
| NVIDIA CORPORATION | | 2701 SAN TOMAS EXPRESSWAY | | SANTA CLARA, CA 95050, USA | |
| NV_PN | 600-1G165-BASE-000 | PCB REV | PG165-ADD | PRG# | 41 OF 42 |
| BCM REV | B | DATE | 14-DEC-2018 | | |



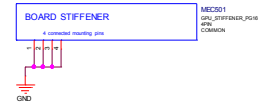
Bracket:



MOUNTING HOLES FOR HS:



BACK STIFFENER:



NVIDIA CORPORATION
 2701 SAN TOMAS EXPRESSWAY
 SANTA CLARA, CA 95050, USA



| | | | |
|-------------|------------------------|------|-------------|
| ASSEMBLY | <ASSEMBLY_DESCRIPTION> | | |
| PAGE DETAIL | MECH | | |
| NV_PN | 600-1G165-BASE-000 | | |
| PCB REV | PG165-ADD | PRGE | 42 OF 42 |
| BOM REV | B | DATE | 14 DEC 2018 |

ALL NVIDIA DESIGN SPECIFICATIONS, REFERENCE BOARDS, FILES, DRAWINGS, DIAGNOSTICS, LISTS AND OTHER DOCUMENTS OR INFORMATION (TOGETHER AND SEPARATELY, "MATERIALS") ARE BEING PROVIDED "AS IS". THE MATERIALS MAY CONTAIN KNOWN AND UNKNOWN VIOLATIONS OR DEVIATIONS OF INDUSTRY STANDARDS AND SPECIFICATIONS. NVIDIA MAKES NO WARRANTIES, EXPRESSED, IMPLIED, STATUTORY OR OTHERWISE WITH RESPECT TO THE MATERIALS AND EXPRESSLY DISCLAIMS ALL IMPLIED WARRANTIES INCLUDING, WITHOUT LIMITATION, THE WARRANTIES OF DESIGN, OF NON-INFRINGEMENT, MERCHANTABILITY OR FITNESS FOR A PARTICULAR PURPOSE, OR ARISING FROM A COURSE OF DEALING, TRADE USAGE, TRADE PRACTICE, OR INDUSTRY STANDARDS.