


# PG174-A01

## TU117, 128b GDDR5 x32, 75W DVI-D DL/DUAL DP + HDMI

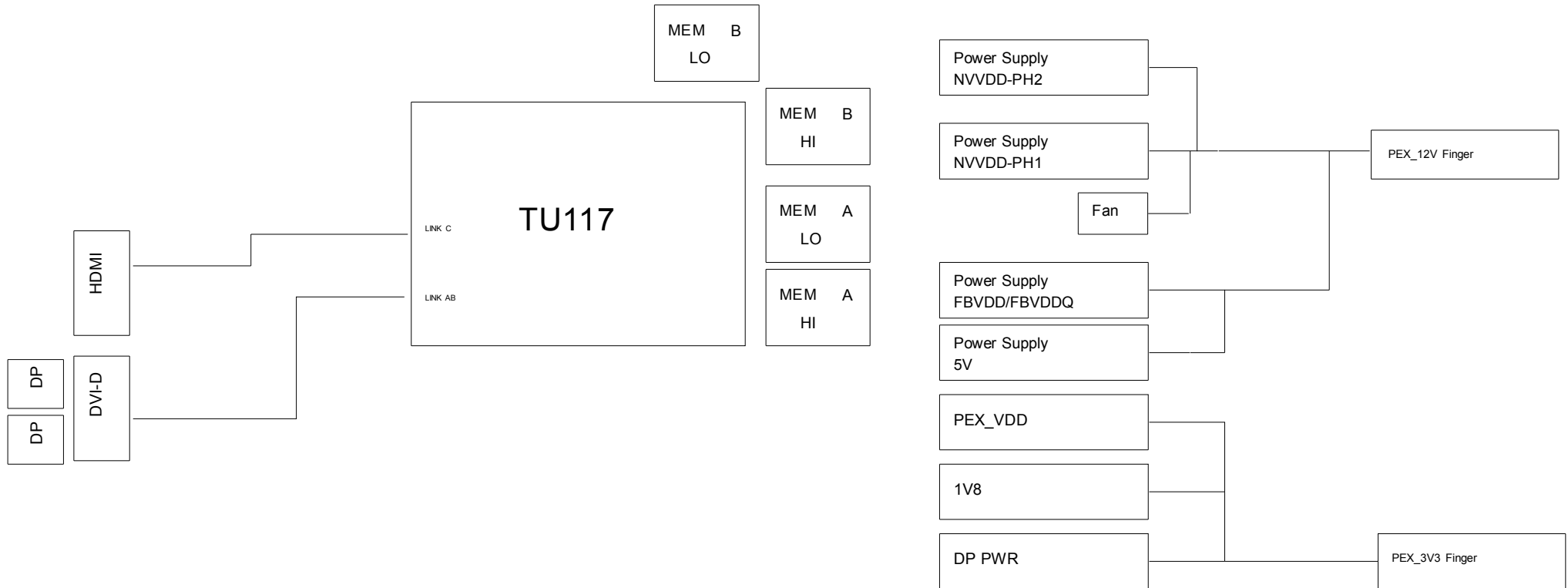
### TABLE OF CONTENTS

Page	Description	Page	Description
1	Table of Contents	26	PS: 5V
2	Block Diagram	27	PS: 1V8
3	PCI Express	28	PS: PEXVDD
4	MEMORY: GPU Partition A/B	29	PS: FBVDDQ
5	MEMORY: FBA[31:0]	30	PS: NVVDD OVR2+1
6	MEMORY: FBA[63:32]	31	PS: NVVDD Phase 1,2
7	MEMORY: FBB[31:0]	32	MECH: Bracket/Thermal
8	MEMORY: FBB[63:32]		
9	GPU FBVDDQ & 1V8 Decoupling		
10	GPU NVVDD DECOUPLING		
11	IFPAB DVI-DL		
12	IFPA DP		
13	IFPB DP		
14	IFPC		
15	IFPC HDMI		
16	IFPDEF UNUSED		
17	MISC1: Fan, Thermal, JTAG, GPIO		
18	MISC2: ROM, XTAL, Straps		
19	Power Inputs and Filtering		
20	SEQ: 5V, 1V8, NV3V3 ENABLE		
21	SEQ: NV, PEX, FB ENABLE		
22	SEQ: VOLTAGE MONITOR		
23	SEQ: DISCHARGE		
24	SEQ: MISC		
25	PS: Pre-filter		

<b>NVIDIA CORPORATION</b> 2701 SAN TOMAS EXPRESSWAY SANTA CLARA, CA 95050 USA				
NV_PN	600-1G174-BASE-A01		T OF 32	
PCB REV	PG174-A01	PKG#		
BCM REV	A	DATE	10-DEC-2018	

ALL NVIDIA DESIGN SPECIFICATIONS, REFERENCE SPECIFICATIONS, REFERENCE BOARDS, FILES, DRAWINGS, DIAGNOSTICS, LISTS AND OTHER DOCUMENTS OR INFORMATION (TOGETHER AND SEPARATELY, "MATERIALS") ARE BEING PROVIDED "AS IS". THE MATERIALS MAY CONTAIN KNOWN AND UNKNOWN VIOLATIONS OR DEVIATIONS OF INDUSTRY STANDARDS AND SPECIFICATIONS. NVIDIA MAKES NO WARRANTIES, EXPRESSED, IMPLIED, STATUTORY OR OTHERWISE WITH RESPECT TO THE MATERIALS AND EXPRESSLY DISCLAIMS ALL IMPLIED WARRANTIES INCLUDING, WITHOUT LIMITATION, THE WARRANTIES OF DESIGN, OF NON-INFRINGEMENT, MERCHANTABILITY OR FITNESS FOR A PARTICULAR PURPOSE, OR ARISING FROM A COURSE OF DEALING, TRADE USAGE, TRADE PRACTICE, OR INDUSTRY STANDARDS.

Block Diagram



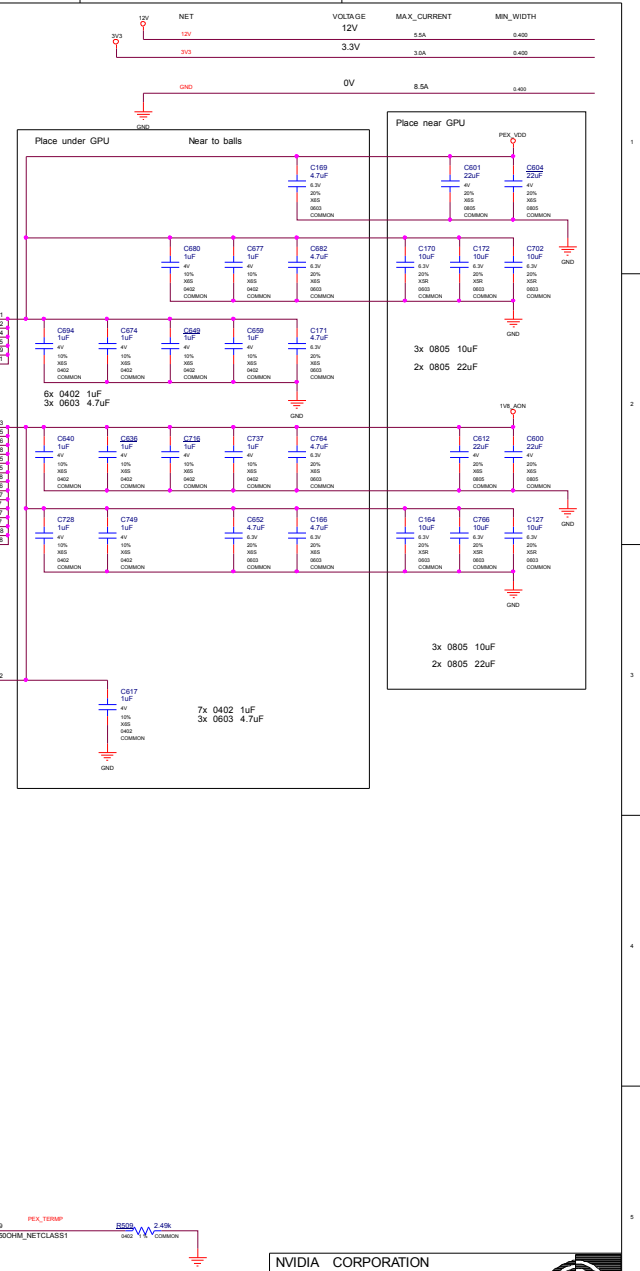
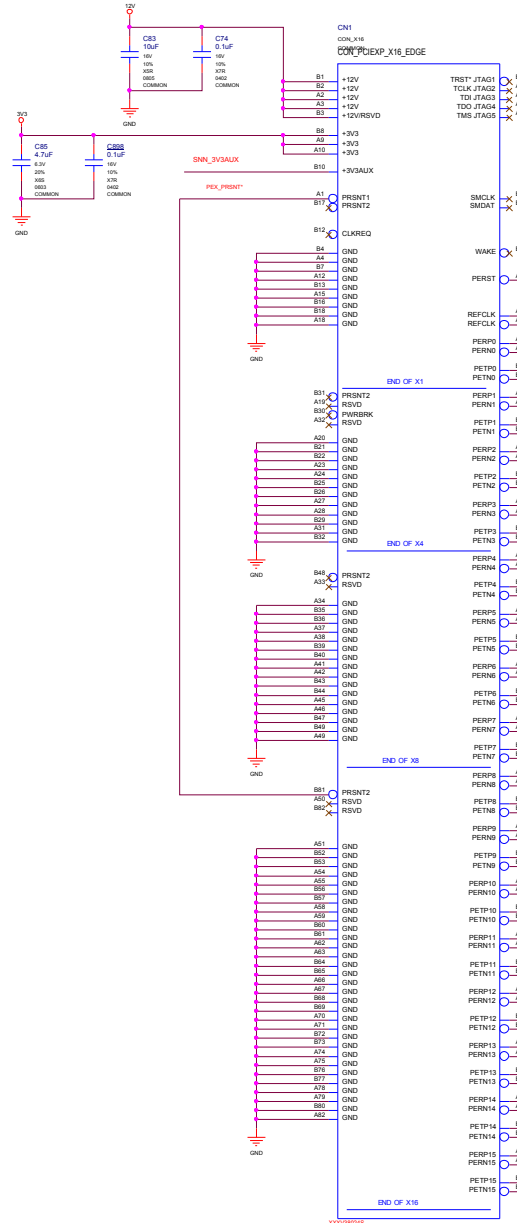
ASSEMBLY	ASSEMBLY DESCRIPTION
FRGE DETAIL	Block Diagram

<b>NVIDIA CORPORATION</b> 2701 SAN TOMAS EXPRESSWAY SANTA CLARA, CA 95050 USA			
NV_PN	600-1G174-BASE-A01	PKG#	2 OF 32
PCB REV	PG174-A01	DATE	10-DEC-2018
BCM REV	A	DATE	10-DEC-2018



ALL NVIDIA DESIGN SPECIFICATIONS, REFERENCE SPECIFICATIONS, REFERENCE BOARDS, FILES, DRAWINGS, DIAGNOSTICS, LISTS AND OTHER DOCUMENTS OR INFORMATION (TOGETHER AND SEPARATELY, "MATERIALS") ARE BEING PROVIDED "AS IS". THE MATERIALS MAY CONTAIN KNOWN AND UNKNOWN VIOLATIONS OR DEVIATIONS OF INDUSTRY STANDARDS AND SPECIFICATIONS. NVIDIA MAKES NO WARRANTIES, EXPRESSED, IMPLIED, STATUTORY OR OTHERWISE WITH RESPECT TO THE MATERIALS OR OTHERWISE, AND EXPRESSLY DISCLAIMS ALL IMPLIED WARRANTIES INCLUDING, WITHOUT LIMITATION, THE WARRANTIES OF DESIGN, OF NON-INFRINGEMENT, MERCHANTABILITY OR FITNESS FOR A PARTICULAR PURPOSE, OR ARISING FROM A COURSE OF DEALING, TRADE USAGE, TRADE PRACTICE, OR INDUSTRY STANDARDS.

PCI Express



ALL NVIDIA DESIGN SPECIFICATIONS, REFERENCE SPECIFICATIONS, REFERENCE BOARDS, FILES, DRAWINGS, DIAGNOSTICS, LISTS AND OTHER DOCUMENTS (TOGETHER AND SEPARATELY, "MATERIALS") ARE BEING PROVIDED "AS IS" BY THE MATERIALS MANUFACTURER. NVIDIA MAKES NO WARRANTIES, EXPRESSED, IMPLIED, STATUTORY OR OTHERWISE, WITH RESPECT TO THE MATERIALS OR OTHERWISE, AND EXPRESSLY DISCLAIMS ALL IMPLIED WARRANTIES INCLUDING, WITHOUT LIMITATION, THE WARRANTIES OF DESIGN, OF NON-INFRINGEMENT, MERCHANTABILITY OR FITNESS FOR A PARTICULAR PURPOSE, OR ARISING FROM A COURSE OF DEALING, TRADE USAGE, TRADE PRACTICE, OR INDUSTRY STANDARDS.

ASSEMBLY	<ASSEMBLY_DESCRIPTION>
PCIE DETAIL	PCI Express

**NVIDIA CORPORATION**  
 2701 SAN TOMAS EXPRESSWAY  
 SANTA CLARA, CA 95050, USA

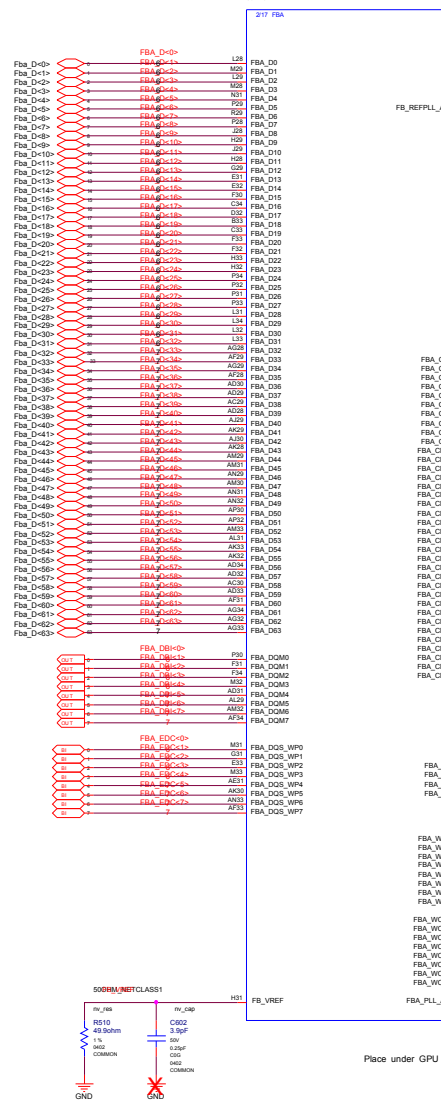
600-1G174-BASE-A01

REV	REV	REV	REV
PCB	PCB	PCB	PCB
174-A01	174-A01	174-A01	174-A01
3	3	3	3
10/DEC/2018	10/DEC/2018	10/DEC/2018	10/DEC/2018

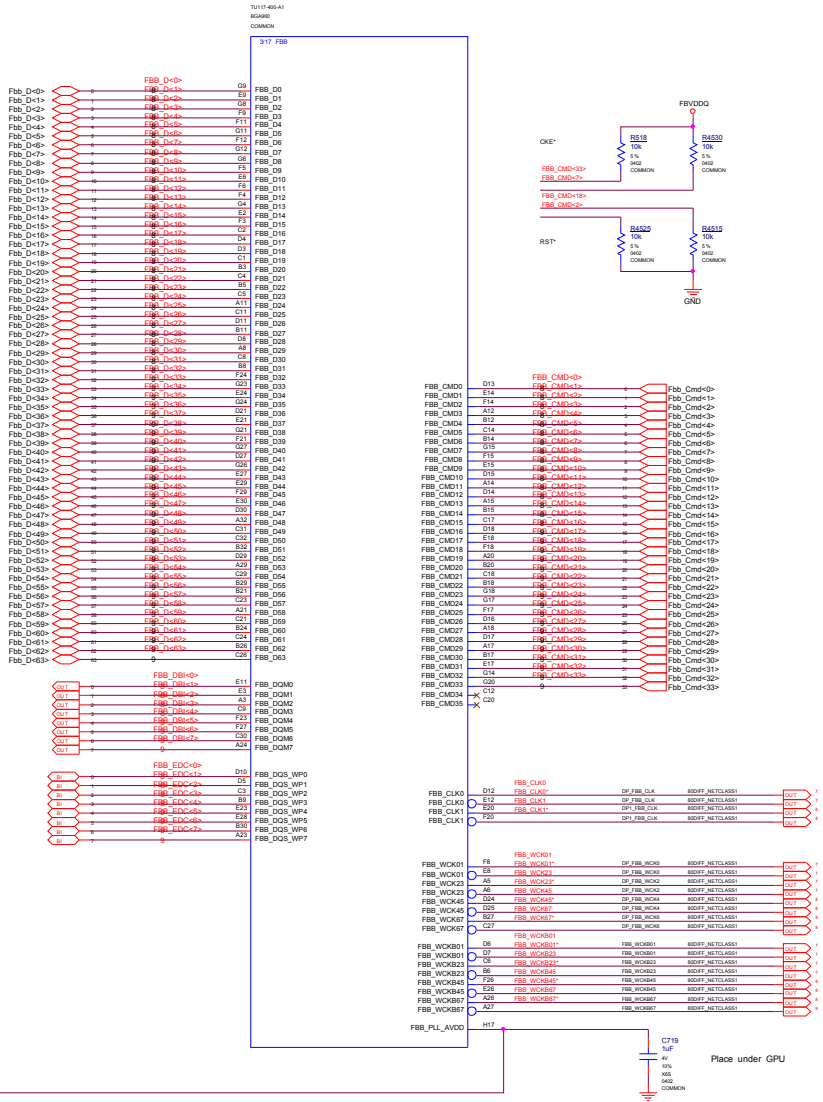


MEMORY: GPU Partition A/B

U: GPU\_G84D\_128\_B0A660-TU11-100\_OT\_TU17-0T-TU17-0T  
 GT1C  
 TU11-00A-01  
 COMMON



U: GPU\_G84D\_128\_B0A660-TU11-100\_OT\_TU17-0T-TU17-0T  
 GT1C  
 TU11-00A-01  
 COMMON



ASSEMBLY	DESCRIPTION
GPU DETAIL	MEMORY: GPU PARTITION A/B

ALL NVIDIA DESIGN SPECIFICATIONS, REFERENCE SPECIFICATIONS, REFERENCE BOARDS, FILES, DRAWINGS, DIAGNOSTICS, LISTS AND OTHER DOCUMENTS (TOGETHER AND SEPARATELY, "MATERIALS") ARE BEING PROVIDED "AS IS" BY THE MATERIALS MANUFACTURER. NVIDIA MAKES NO WARRANTIES, EXPRESSED, IMPLIED, STATUTORY OR OTHERWISE, WITH RESPECT TO THE MATERIALS OR OTHERWISE, AND EXPRESSLY DISCLAIMS ALL IMPLIED WARRANTIES INCLUDING, WITHOUT LIMITATION, THE WARRANTIES OF DESIGN, OF NON-INFRINGEMENT, MERCHANTABILITY OR FITNESS FOR A PARTICULAR PURPOSE, OR ARISING FROM A COURSE OF DEALING, TRADE USAGE, TRADE PRACTICE, OR INDUSTRY STANDARDS.

**NVIDIA CORPORATION**  
 2701 SAN TOMAS EXPRESSWAY  
 SANTA CLARA, CA 95050, USA

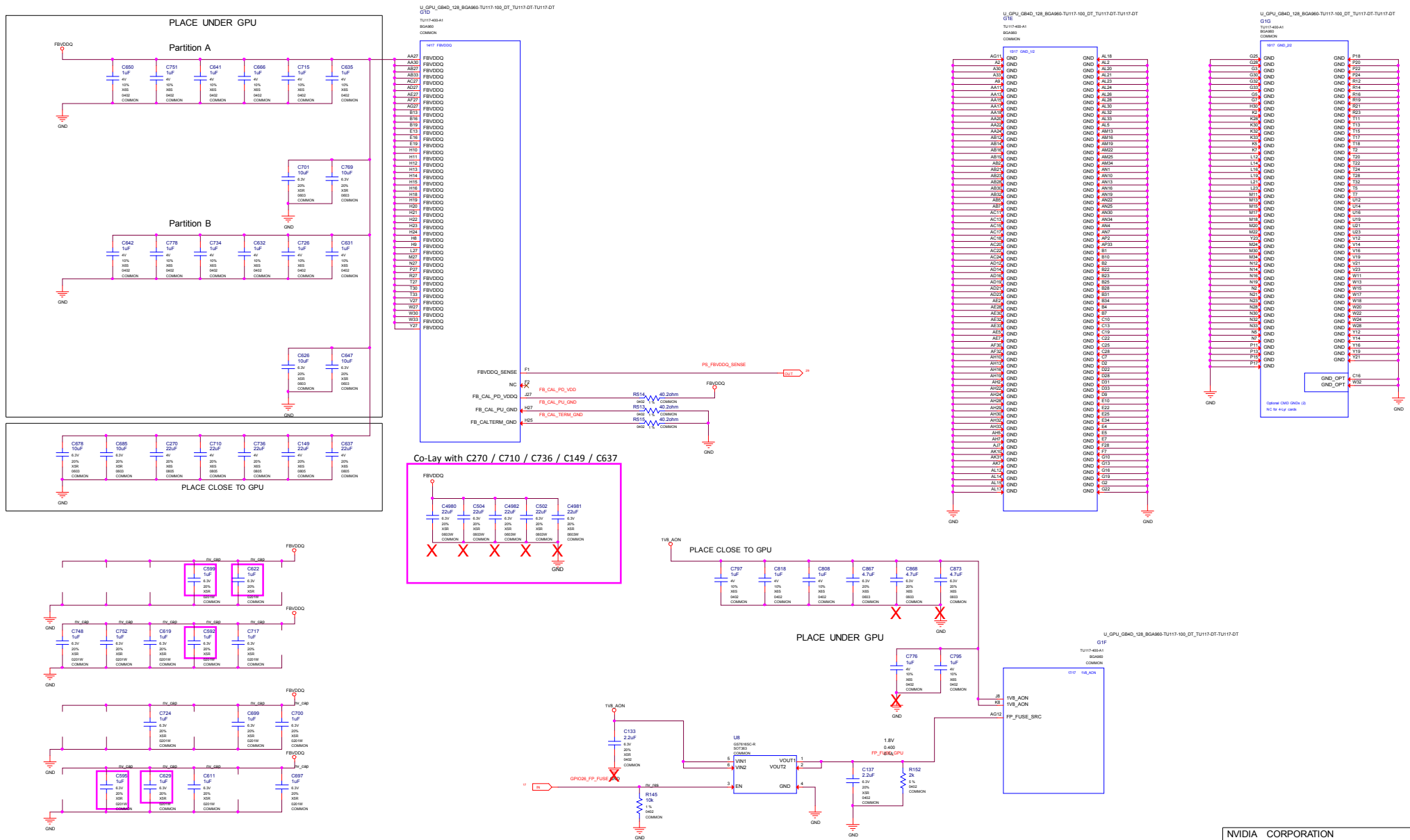
Part Number: **600-1G174-BASE-A01**

PCB REV: PG174-A01  
 BOM REV: A


DATE: 10/DEC/2018

Page: 4 OF 32

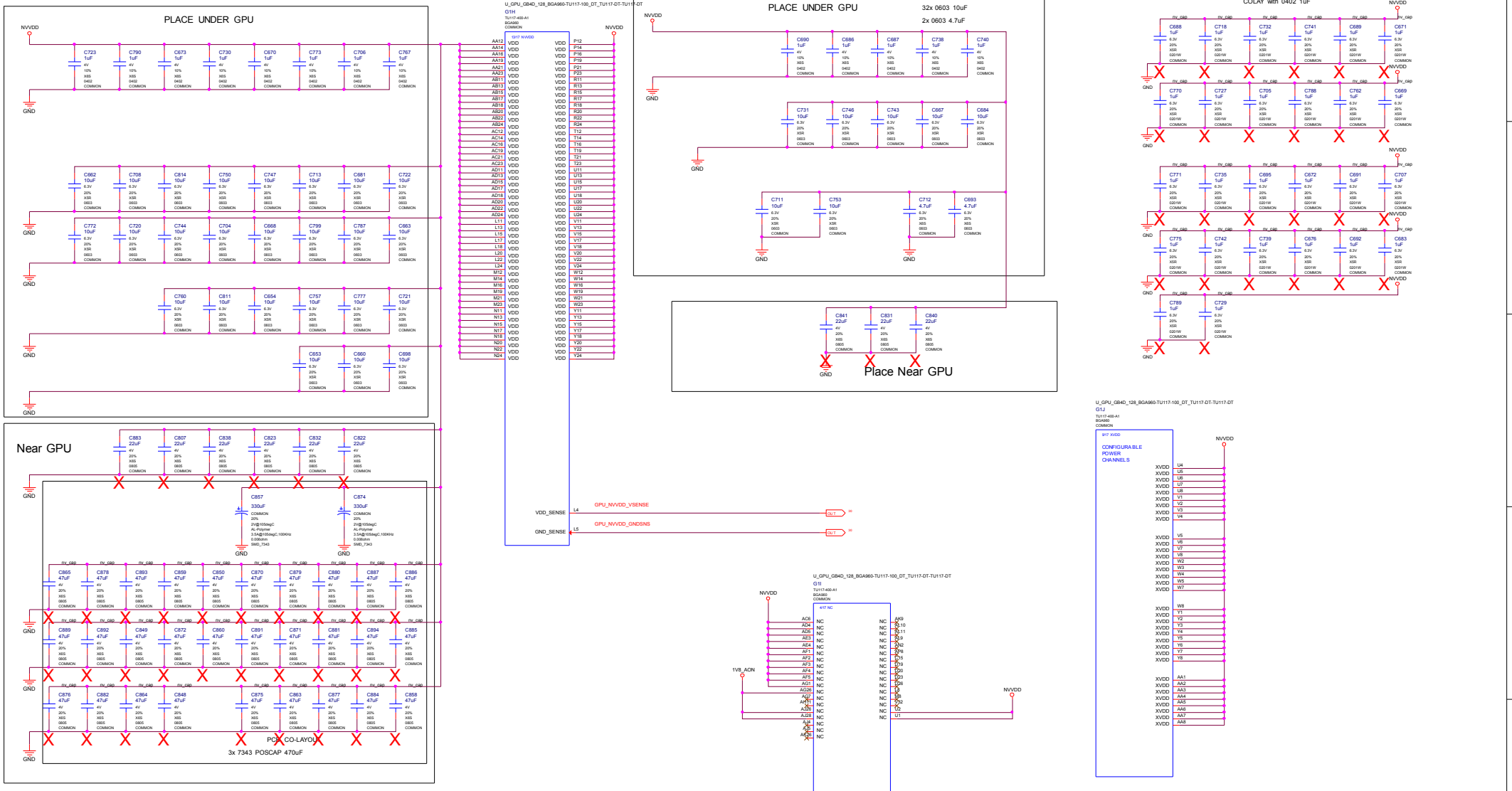
# GPU FBVDDQ & 1V8 Decoupling



ALL NVIDIA DESIGN SPECIFICATIONS, REFERENCE SPECIFICATIONS, REFERENCE BOARDS, FILES, DRAWINGS, DIAGNOSTICS, LISTS AND OTHER DOCUMENTS (TOGETHER AND SEPARATELY, "MATERIALS") ARE BEING PROVIDED "AS IS". THE MATERIALS MAY CONTAIN KNOWN AND UNKNOWN VIOLATIONS OR DEVIATIONS OF INDUSTRY STANDARDS AND SPECIFICATIONS. NVIDIA MAKES NO WARRANTIES, EXPRESSED, IMPLIED, STATUTORY OR OTHERWISE, WITH RESPECT TO THE MATERIALS OR OTHERWISE, AND EXPRESSLY DISCLAIMS ALL IMPLIED WARRANTIES INCLUDING, WITHOUT LIMITATION, THE WARRANTIES OF DESIGN, OF NONINFRINGEMENT, MERCHANTABILITY OR FITNESS FOR A PARTICULAR PURPOSE, OR ARISING FROM A COURSE OF DEALING, TRADE USAGE, TRADE PRACTICE, OR INDUSTRY STANDARDS.

<b>NVIDIA CORPORATION</b>			
2701 SAN TOMAS EXPRESSWAY SANTA CLARA, CA 95050, USA			
NV_PN	600-1G174-BASE-A01	9 OF 32	
PCB REV	PG174-AD1		
BOM REV	A		
PRG#	GPU FBVDDQ & 1V8 Decoupling	DATE	10/DEC/2018

# GPU NVVDD Decoupling



**VIDIA CORPORATION**  
 2701 SAN TOMAS EXPRESSWAY  
 SANTA CLARA, CA 95050, USA



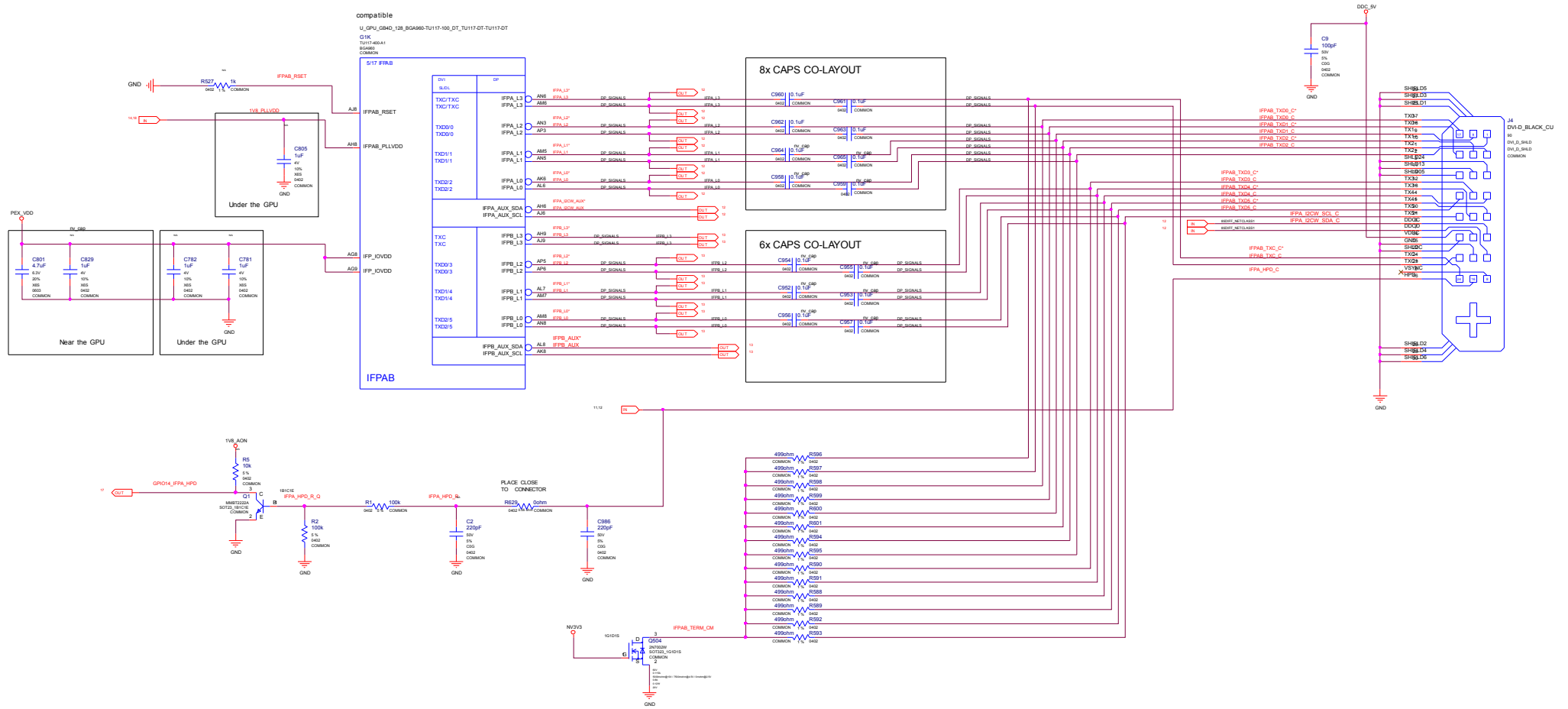
ASSEMBLY	ASSEMBLY DESCRIPTION	REV	DATE
	GPU NVVDD DECOUPLING		

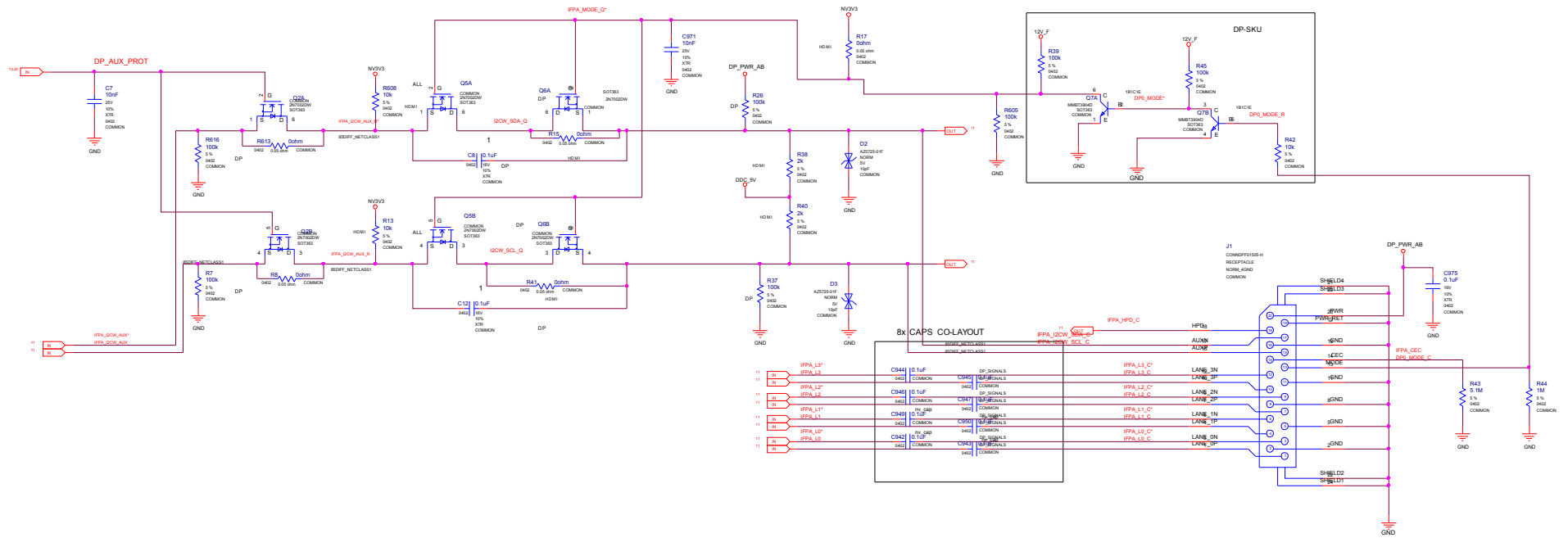
REV	DESCRIPTION	REV	DATE
1	PG174-A01		10/DEC/2018

ALL NVIDIA DESIGN SPECIFICATIONS, REFERENCE SPECIFICATIONS, REFERENCE BOARDS, FILES, DRAWINGS, DIAGNOSTICS, LISTS AND OTHER DOCUMENTS (TOGETHER AND SEPARATELY, "MATERIALS") ARE BEING PROVIDED "AS IS" BY THE MATERIALS MANUFACTURER. NVIDIA MAKES NO WARRANTIES, EXPRESSED, IMPLIED, STATUTORY OR OTHERWISE, WITH RESPECT TO THE MATERIALS AND EXPRESSLY DISCLAIMS ALL IMPLIED WARRANTIES INCLUDING, WITHOUT LIMITATION, THE WARRANTIES OF DESIGN, OF NON-INFRINGEMENT, MERCHANTABILITY OR FITNESS FOR A PARTICULAR PURPOSE, OR ARISING FROM A COURSE OF DEALING, TRADE USAGE, TRADE PRACTICE, OR INDUSTRY STANDARDS.

# IFPAB DVI-D-DL CO-LAYOUT WITH 2x DP



ALL NVIDIA DESIGN SPECIFICATIONS, REFERENCE SPECIFICATIONS, REFERENCE BOARDS, FILES, DRAWINGS, DIAGNOSTICS, LISTS AND OTHER DOCUMENTS (TOGETHER AND SEPARATELY, "MATERIALS") ARE BEING PROVIDED "AS IS" THE MATERIALS MAY CONTAIN KNOWN AND UNKNOWN VIOLATIONS OR DEVIATIONS OF INDUSTRY STANDARDS AND SPECIFICATIONS. NVIDIA MAKES NO WARRANTIES, EXPRESSED, IMPLIED, STATUTORY OR OTHERWISE WITH RESPECT TO THE MATERIALS OR OTHERWISE, AND EXPRESSLY DISCLAIMS ALL IMPLIED WARRANTIES INCLUDING, WITHOUT LIMITATION, THE WARRANTIES OF DESIGN, OF NON-INFRINGEMENT, MERCHANTABILITY OR FITNESS FOR A PARTICULAR PURPOSE, OR ARISING FROM A COURSE OF DEALING, TRADE USAGE, TRADE PRACTICE, OR INDUSTRY STANDARDS.



# IFPA DP CO-LAYOUT WITH IFPAB DVI-D-DL

NVIDIA CORPORATION  
 2701 SAN TOMAS EXPRESSWAY  
 SANTA CLARA, CA 95050, USA



NV\_PN 600-1G174-BASE-A01

PCB REV	PG174-A01	PRGE	12 OF 32
BOM REV	A	DATE	10/DEC/2018

ALL NVIDIA DESIGN SPECIFICATIONS, REFERENCE SPECIFICATIONS, REFERENCE BOARDS, FILES, DRAWINGS, DIAGNOSTICS, LISTS AND OTHER DOCUMENTS (TOGETHER AND SEPARATELY, "MATERIALS") ARE BEING PROVIDED "AS IS" THE MATERIALS MAY CONTAIN KNOWN AND UNKNOWN VIOLATIONS OR DEVIATIONS OF INDUSTRY STANDARDS AND SPECIFICATIONS. NVIDIA MAKES NO WARRANTIES, EXPRESSED, IMPLIED, STATUTORY OR OTHERWISE WITH RESPECT TO THE MATERIALS OR OTHERWISE, AND EXPRESSLY DISCLAIMS ALL IMPLIED WARRANTIES INCLUDING, WITHOUT LIMITATION, THE WARRANTIES OF DESIGN, OF NONINFRINGEMENT, MERCHANTABILITY OR FITNESS FOR A PARTICULAR PURPOSE, OR ARISING FROM A COURSE OF DEALING, TRADE USAGE, TRADE PRACTICE, OR INDUSTRY STANDARDS.

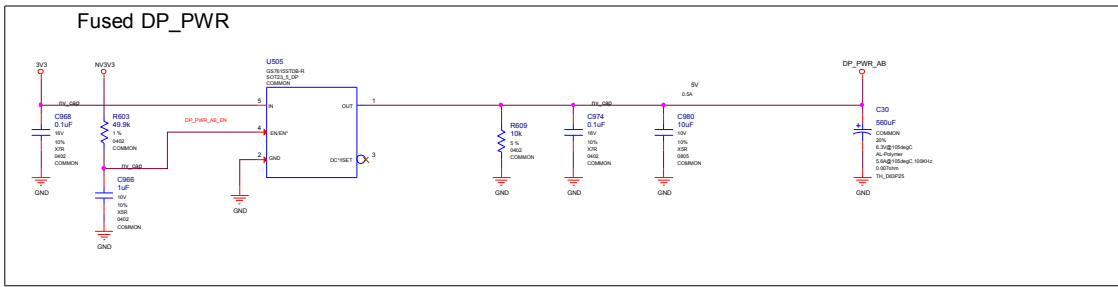
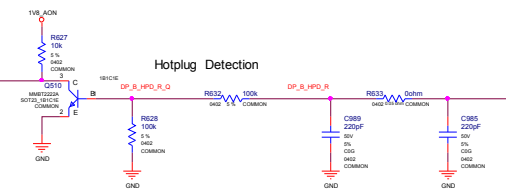
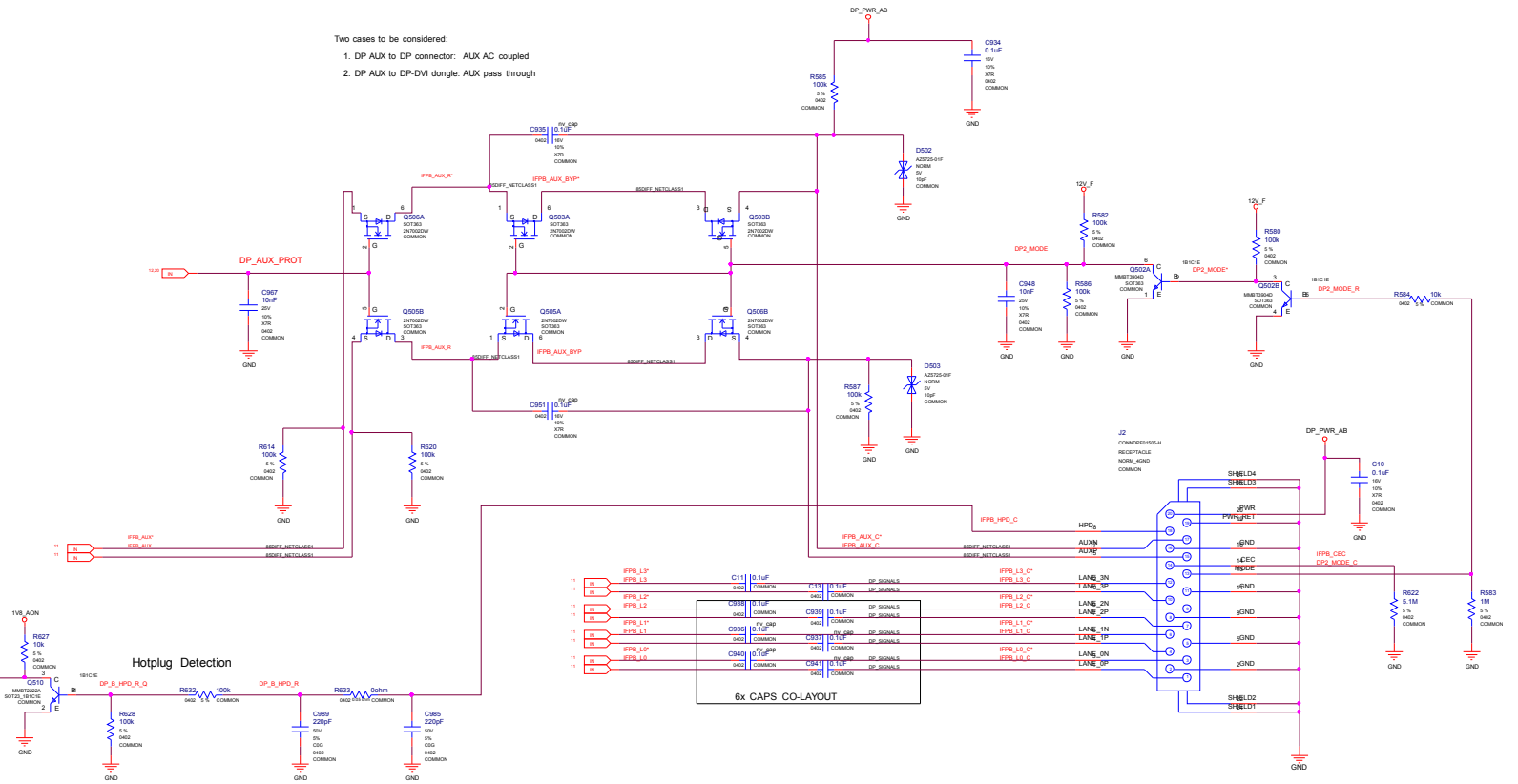
ASSEMBLY	<ASSEMBLY_DESCRIPTION>
FRG DETAIL	IFPA_DP




# IFPB DP CO-LAYOUT WITH IFPB DVI-D-DL

Two cases to be considered:

1. DP AUX to DP connector: AUX AC coupled
2. DP AUX to DP-DVI dongle: AUX pass through

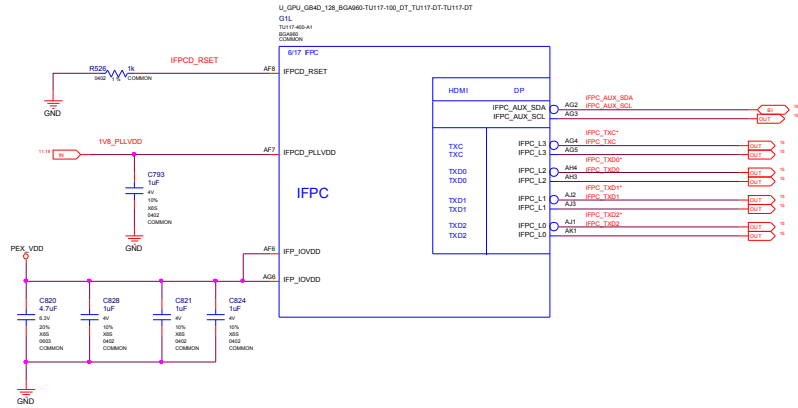


**NVidia CORPORATION**  
 2701 SAN TOMAS EXPRESSWAY  
 SANTA CLARA, CA 95050, USA



ASSEMBLY PAGE DETAIL	ASSEMBLY DESCRIPTION IFPB DP	NV_PN A	600-1G174-BASE-A01	PGE DATE	13 OF 32 10/DEC/2018
-------------------------	---------------------------------	------------	--------------------	-------------	-------------------------

ALL NVIDIA DESIGN SPECIFICATIONS, REFERENCE SPECIFICATIONS, REFERENCE BOARDS, FILES, DRAWINGS, DIAGNOSTICS, LISTS AND OTHER DOCUMENTS (TOGETHER AND SEPARATELY, "MATERIALS") ARE BEING PROVIDED "AS IS" BY THE MATERIALS MANUFACTURER. NVIDIA MAKES NO WARRANTIES, EXPRESSED, IMPLIED, STATUTORY OR OTHERWISE WITH RESPECT TO THE MATERIALS OR OTHERWISE, AND EXPRESSLY DISCLAIMS ALL IMPLIED WARRANTIES INCLUDING, WITHOUT LIMITATION, THE WARRANTIES OF DESIGN, OF NON-INFRINGEMENT, MERCHANTABILITY OR FITNESS FOR A PARTICULAR PURPOSE, OR ARISING FROM A COURSE OF DEALING, TRADE USAGE, TRADE PRACTICE, OR INDUSTRY STANDARDS.

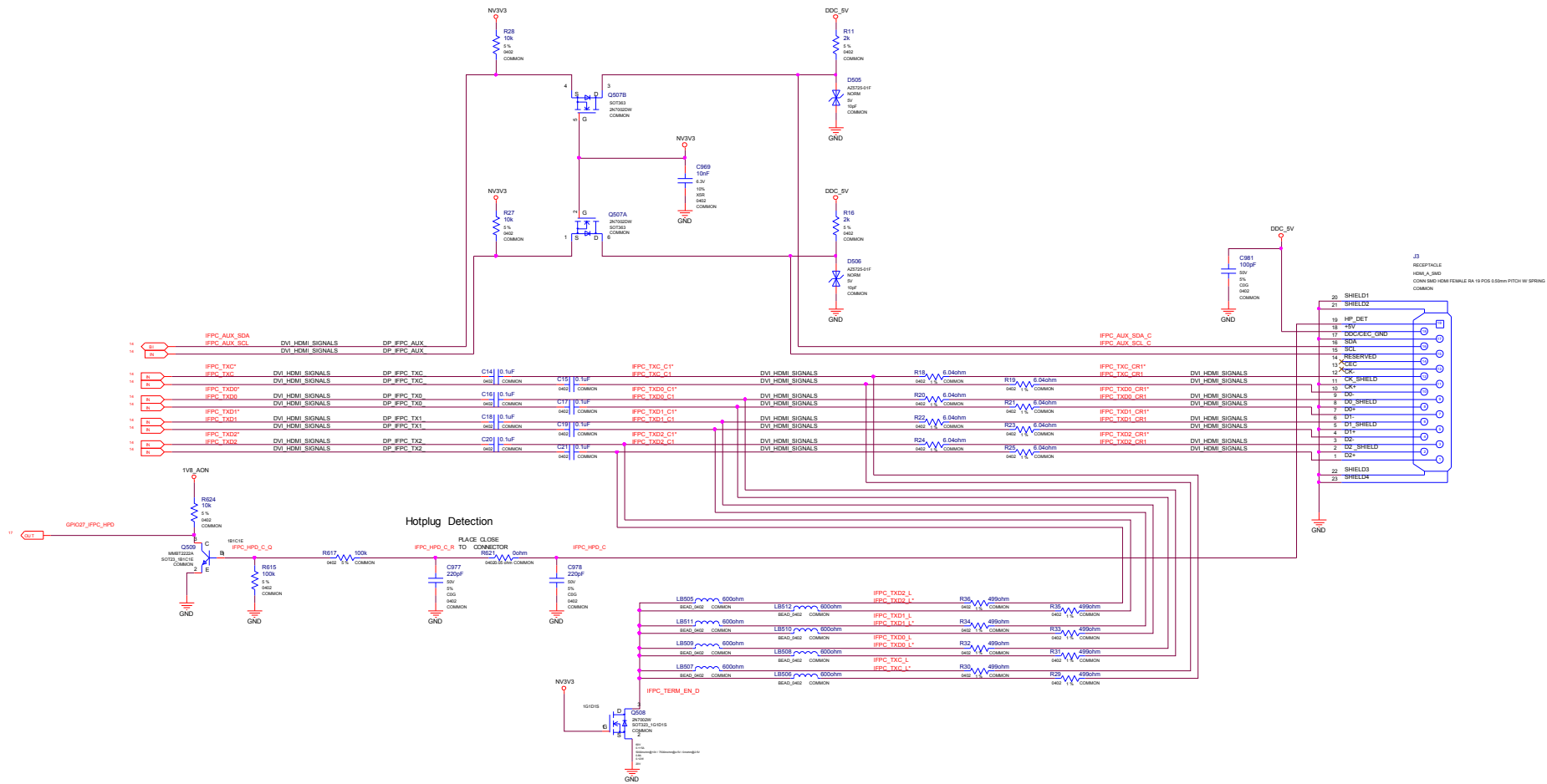



ALL NVIDIA DESIGN SPECIFICATIONS, REFERENCE SPECIFICATIONS, REFERENCE BOARDS, FILES, DRAWINGS, DIAGNOSTICS, LISTS AND OTHER DOCUMENTS (TOGETHER AND SEPARATELY, "MATERIALS") ARE BEING PROVIDED "AS IS." THE MATERIALS MAY CONTAIN KNOWN AND UNKNOWN VIOLATIONS OR DEVIATIONS OF INDUSTRY STANDARDS AND SPECIFICATIONS. NVIDIA MAKES NO WARRANTIES, EXPRESSED, IMPLIED, STATUTORY OR OTHERWISE, WITH RESPECT TO THE MATERIALS AND EXPRESSLY DISCLAIMS ALL IMPLIED WARRANTIES INCLUDING, WITHOUT LIMITATION, THE WARRANTIES OF DESIGN, OF NON-INFRINGEMENT, MERCHANTABILITY OR FITNESS FOR A PARTICULAR PURPOSE, OR ARISING FROM A COURSE OF DEALING, TRADE USAGE, TRADE PRACTICE, OR INDUSTRY STANDARDS.

<b>NVIDIA CORPORATION</b> 2701 SAN TOMAS EXPRESSWAY SANTA CLARA, CA 95050, USA			
NV_PN	600-1G174-BASE-A01		
PCB REV	PG174-A01	PG#	14 OF 32
BOM REV	A	DATE	10/DEC/2018



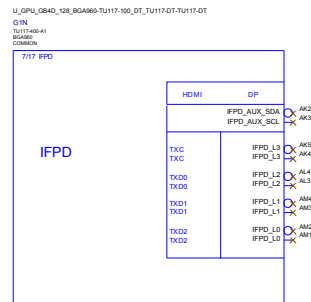
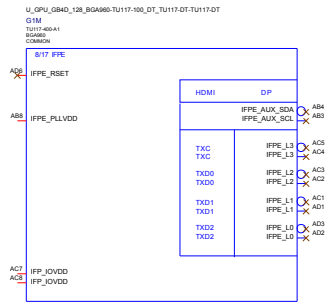
# IFPC HDMI



<b>ASSEMBLY</b> <b>&lt;ASSEMBLY_DESCRIPTION&gt;</b> PAGE DETAIL <b>IFPC_HDM</b>				<b>ASSEMBLY</b> <b>&lt;ASSEMBLY_DESCRIPTION&gt;</b> PAGE DETAIL <b>IFPC_HDM</b>			
NVIDIA CORPORATION 2701 SAN TOMAS EXPRESSWAY SANTA CLARA, CA 95050, USA							
<b>NV_PN</b> 600-1G174-BASE-A01		<b>PCB REV</b> PG174-A01		<b>PRGE</b> 15 OF 32			
<b>BOM REV</b> A		<b>DATE</b> 10/DEC/2018					

ALL NVIDIA DESIGN SPECIFICATIONS, REFERENCE SPECIFICATIONS, REFERENCE BOARDS, FILES, DRAWINGS, DIAGNOSTICS, LISTS AND OTHER DOCUMENTS (TOGETHER AND SEPARATELY, "MATERIALS") ARE BEING PROVIDED "AS IS" BY THE MATERIALS MANUFACTURER. NVIDIA MAKES NO WARRANTIES, EXPRESSED, IMPLIED, STATUTORY OR OTHERWISE WITH RESPECT TO THE MATERIALS AND EXPRESSLY DISCLAIMS ALL IMPLIED WARRANTIES INCLUDING, WITHOUT LIMITATION, THE WARRANTIES OF MERCHANTABILITY OR FITNESS FOR A PARTICULAR PURPOSE, OR ARISING FROM A COURSE OF DEALING, TRADE USAGE, TRADE PRACTICE, OR INDUSTRY STANDARDS.

IFPDEF UNUSED



ALL NVIDIA DESIGN SPECIFICATIONS, REFERENCE SPECIFICATIONS, REFERENCE BOARDS, FILES, DRAWINGS, DIAGNOSTICS, LISTS AND OTHER DOCUMENTS (TOGETHER AND SEPARATELY, "MATERIALS") ARE BEING PROVIDED "AS IS" TO THE MATERIALS BUYER. NVIDIA MAKES NO WARRANTIES, EXPRESSED, IMPLIED, STATUTORY OR OTHERWISE WITH RESPECT TO THE MATERIALS AND EXPRESSLY DISCLAIMS ALL IMPLIED WARRANTIES INCLUDING, WITHOUT LIMITATION, THE WARRANTIES OF DESIGN, OF NONINFRINGEMENT, MERCHANTABILITY OR FITNESS FOR A PARTICULAR PURPOSE, OR ARISING FROM A COURSE OF DEALING, TRADE USAGE, TRADE PRACTICE, OR INDUSTRY STANDARDS.

ASSEMBLY	<ASSEMBLY_DESCRIPTION>
IFPDEF	UNUSED

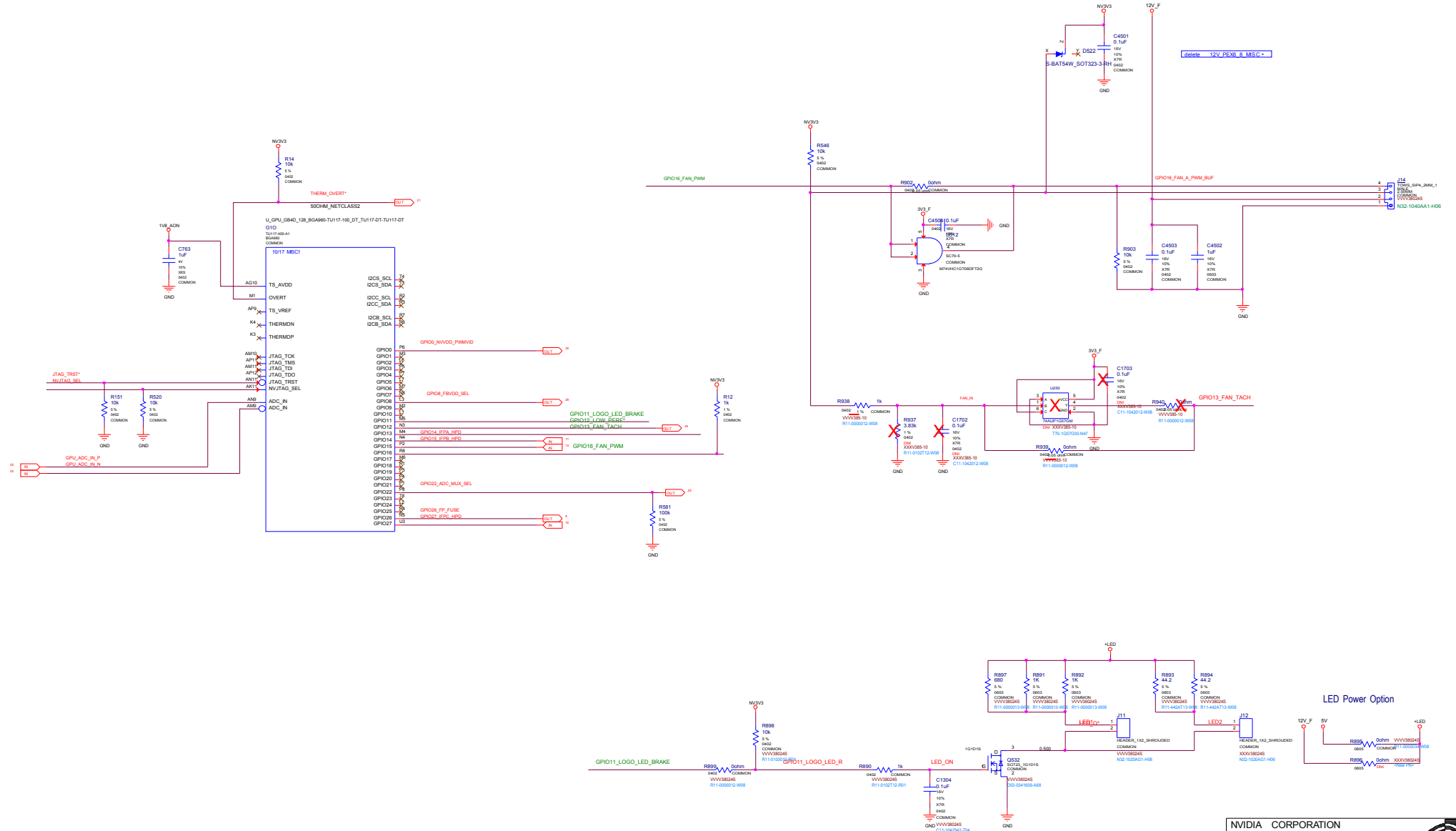
**NVIDIA CORPORATION**  
2701 SAN TOMAS EXPRESSWAY  
SANTA CLARA, CA 95050, USA



NV\_PN 600-1G174-BASE-A01

PCB REV	PG174-A01	PG#	18 OF 32
BOM REV	A	DATE	10/DEC/2018

MISC1: GPIO, Fan, Thermal, JTAG



**NVIDIA CORPORATION**  
 2701 SAN TOMAS EXPRESSWAY  
 SANTA CLARA, CA 95050, USA

**LED Power Option**

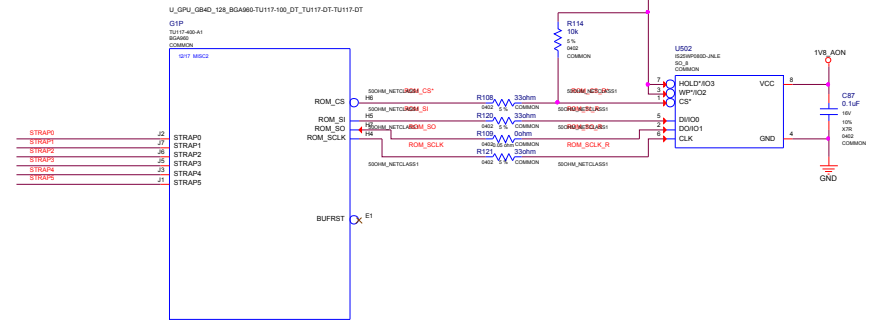
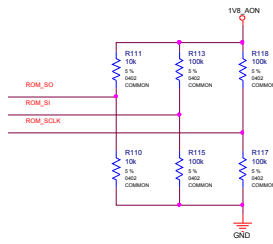
NV\_PN: 600-1G174-BASE-A01  
 PCB REV: PG174-A01  
 BOM REV: A  
 17 OF 32  
 DATE: 10/DEC/2018

ALL NVIDIA DESIGN SPECIFICATIONS, REFERENCE SPECIFICATIONS, REFERENCE BOARDS, FILES, DRAWINGS, DIAGNOSTICS, LISTS AND OTHER DOCUMENTS (TOGETHER AND SEPARATELY, "MATERIALS") ARE BEING PROVIDED "AS IS". THE MATERIALS MAY CONTAIN KNOWN AND UNKNOWN VIOLATIONS OR DEVIATIONS OF INDUSTRY STANDARDS AND SPECIFICATIONS. NVIDIA MAKES NO WARRANTIES, EXPRESSED, IMPLIED, STATUTORY OR OTHERWISE, WITH RESPECT TO THE MATERIALS AND EXPRESSLY DISCLAIMS ALL IMPLIED WARRANTIES INCLUDING, WITHOUT LIMITATION, THE WARRANTIES OF DESIGN, OF NON-INFRINGEMENT, MERCHANTABILITY OR FITNESS FOR A PARTICULAR PURPOSE, OR ARISING FROM A COURSE OF DEALING, TRADE USAGE, TRADE PRACTICE, OR INDUSTRY STANDARDS.

ASSEMBLY	<ASSEMBLY_DESCRIPTION>
PG174	MISC1: Fan, Thermal, JTAG, GPIO

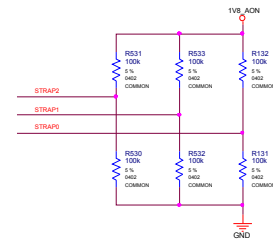
## MISC2: ROM, XTAL, Straps

ROM_SO	ROM_SI	ROM_SCLK	DUMMY{2,0},FS_OVERT	1.ENABLE 0.DISABLE		
L	L	L	xxx1	FS_OVERT ENABLE	Default	
L	L	M	xxx0	FS_OVERT DISABLE		



H=High :Tied to 1.8V  
M=Middle:Tied to 0.9V  
L=Low :Tied to 0V

STRAP2	STRAP1	STRAP0	RAMCFG{4:0}	
L	L	L	0000	Samsung 8Gb 256Mx32 K4G80325FC-HC25
L	L	H	0001	Micron 8Gb 256Mx32 MT51J256M32HF-80-B
L	H	L	0010	Hynix 8Gb 256Mx32 H5GC8H24AJR-R2C
L	H	H	0011	Hynix 8Gb 256Mx32 H5GQH24MJR-R4C
H	H	L	0110	
H	H	H	0111	
L	L	M	1000	
L	M	L	1001	

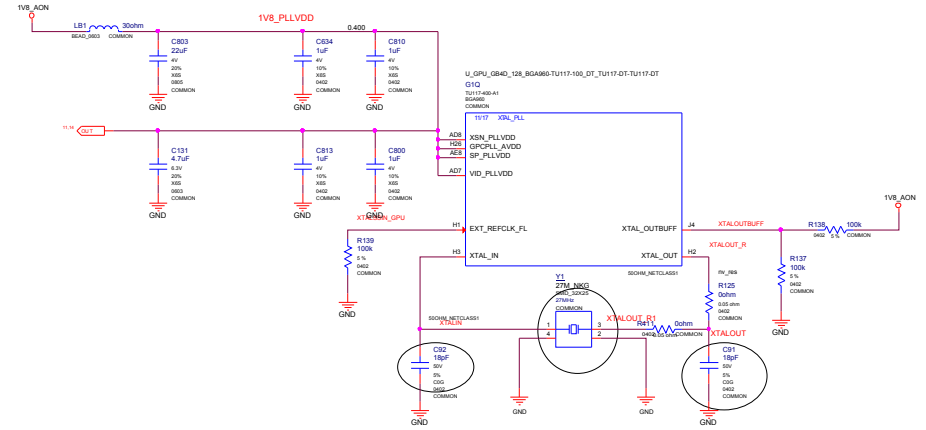


STRAP5	STRAP4	STRAP3	SMB_ALT_ADDR	DEVID_SEL	PCIE_CFG	VGA_DEVICE
M	H	H	1	1	1	1
M	H	L	1	1	1	0
M	L	H	1	1	0	1
M	L	L	1	1	0	0
L	H	M	1	0	1	1
L	M	H	1	0	1	0
L	M	L	1	0	0	1
L	L	M	1	0	0	0
H	H	H	0	1	1	1
H	H	L	0	1	1	0
H	L	H	0	1	0	1
H	L	L	0	1	0	0
L	H	H	0	0	1	1
L	H	L	0	0	1	0
L	L	H	0	0	0	1
L	L	L	0	0	0	0

- 1:SMB\_ALT\_ADDR ENABLE
- 0:SMB\_ALT\_ADDR DISABLE
- 1:DEVID\_SEL REBRAND
- 0:DEVID\_SEL ORIGINAL
- 1:PCIE\_CFG LOW POWER
- 0:PCIE\_CFG HIGH POWER
- 1:VGA\_DEVICE ENABLE
- 0:VGA\_DEVICE DISABLE

## Smart Fan

XTALOUTBUFF	Volatge	SmartFan PWM	GPIO/PWM at the FAN
Low	0V	GPIO Disabled	100%
Middle	0.9V	66% PWM	33% PWM (Typical)
High	1.8V	33% PWM	66% PWM



## NVIDIA CORPORATION

2701 SAN TOMAS EXPRESSWAY  
SANTA CLARA, CA 95050, USA



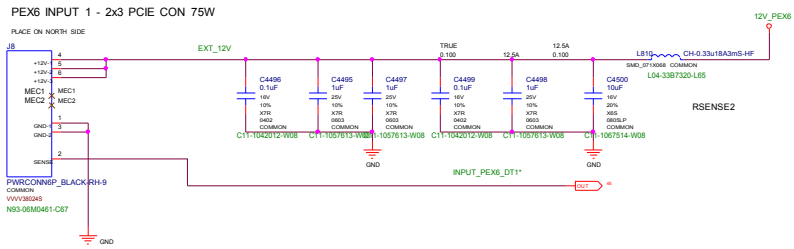
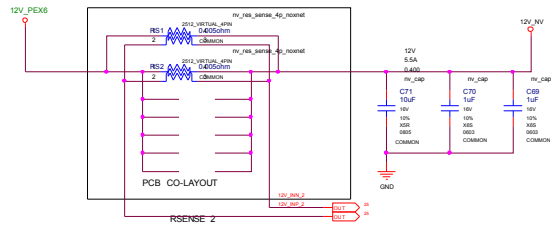
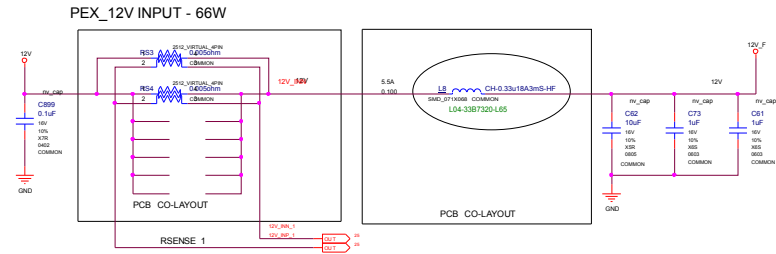
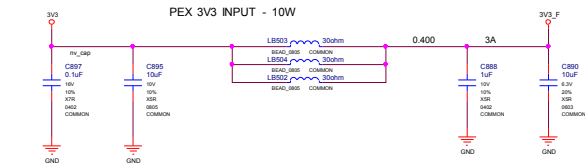
NV\_PN 600-1G174-BASE-A01

PCB REV	PG174-A01	PRGE	18 OF 32
BOM REV	A	DATE	10/DEC/2018

ALL NVIDIA DESIGN SPECIFICATIONS, REFERENCE BOARDS, FILES, DRAWINGS, DIAGNOSTICS, LISTS AND OTHER DOCUMENTS (TOGETHER AND SEPARATELY, "MATERIALS") ARE BEING PROVIDED "AS IS" BY THE MATERIALS MANUFACTURER. NVIDIA MAKES NO WARRANTIES, EXPRESSED, IMPLIED, STATUTORY OR OTHERWISE, WITH RESPECT TO THE MATERIALS AND EXPRESSLY DISCLAIMS ALL IMPLIED WARRANTIES INCLUDING, WITHOUT LIMITATION, THE WARRANTIES OF DESIGN, OF NON-INFRINGEMENT, MERCHANTABILITY OR FITNESS FOR A PARTICULAR PURPOSE, OR ARISING FROM A COURSE OF DEALING, TRADE USAGE, TRADE PRACTICE, OR INDUSTRY STANDARDS.

ASSEMBLY MISC2: ROM XTAL, Straps

# Power Inputs and Filtering



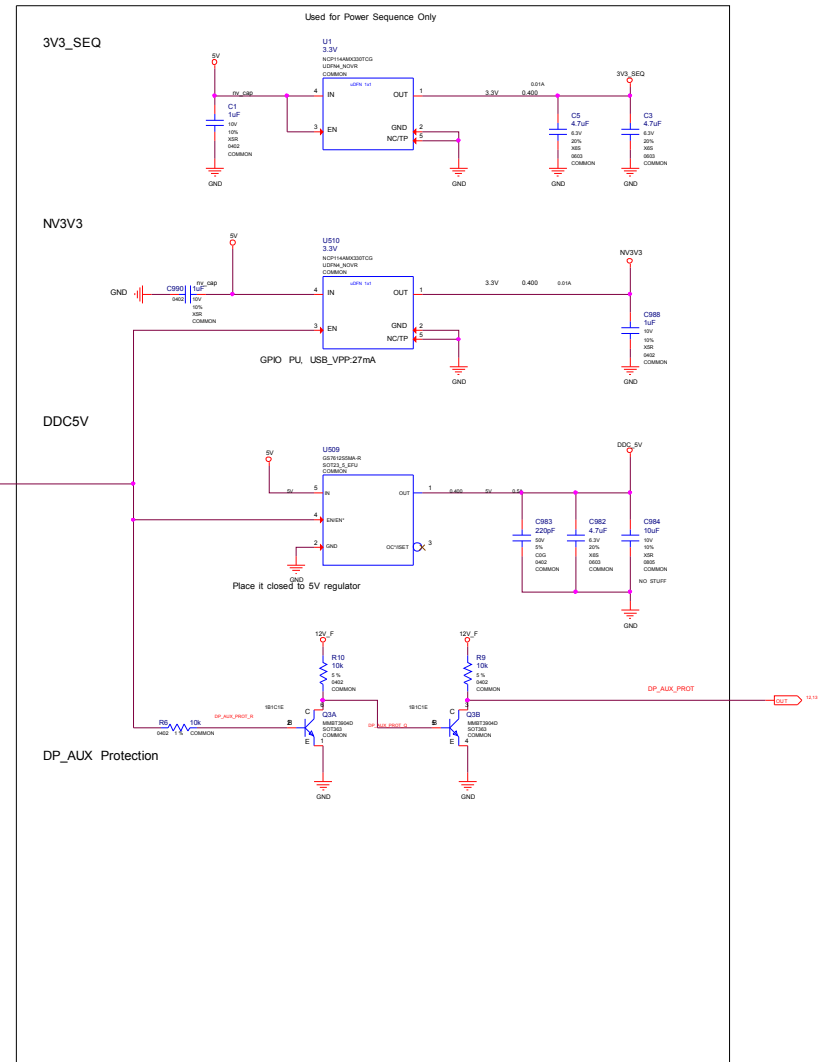
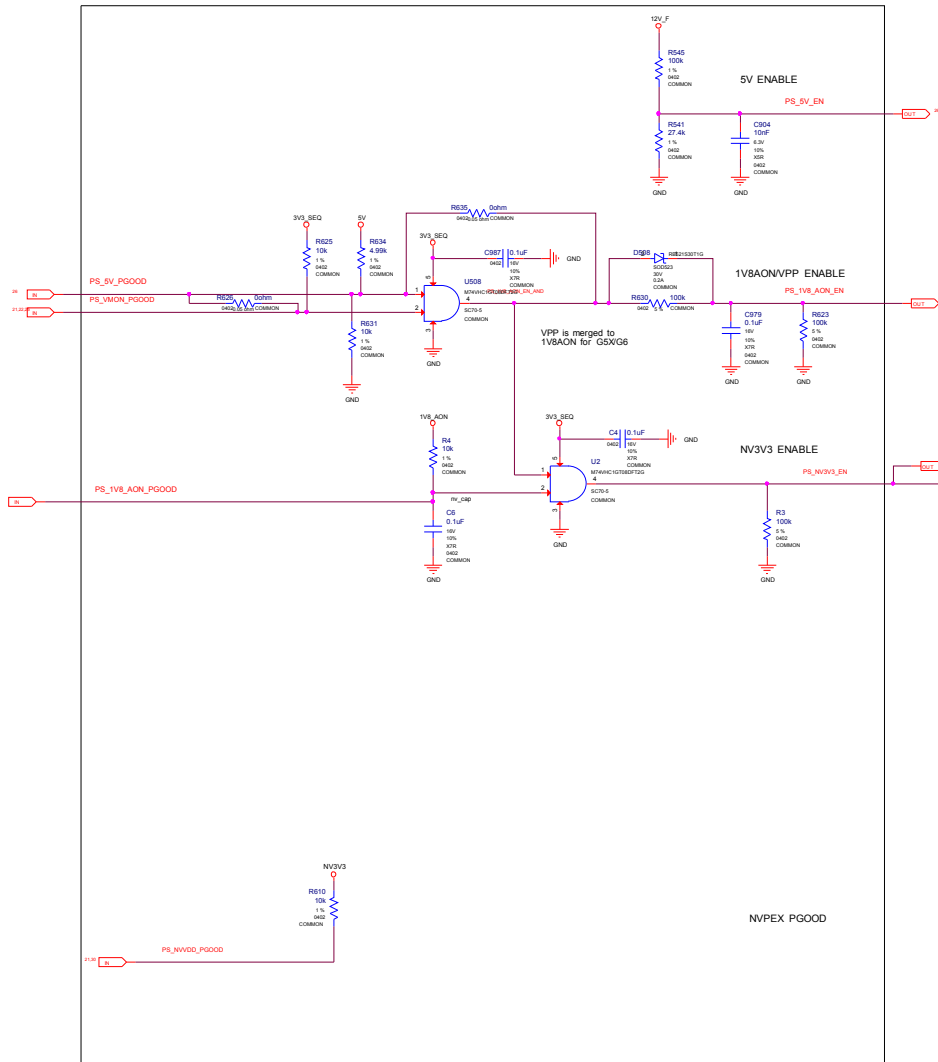
ALL NVIDIA DESIGN SPECIFICATIONS, REFERENCE SPECIFICATIONS, REFERENCE BOARDS, FILES, DRAWINGS, DIAGNOSTICS, LISTS AND OTHER DOCUMENTS (TOGETHER AND SEPARATELY, "MATERIALS") ARE BEING PROVIDED "AS IS" THE MATERIALS MAY CONTAIN KNOWN AND UNKNOWN VIOLATIONS OR DEVIATIONS OF INDUSTRY STANDARDS AND SPECIFICATIONS. NVIDIA MAKES NO WARRANTIES, EXPRESSED, IMPLIED, STATUTORY OR OTHERWISE WITH RESPECT TO THE MATERIALS OR OTHERWISE, AND EXPRESSLY DISCLAIMS ALL IMPLIED WARRANTIES INCLUDING, WITHOUT LIMITATION, THE WARRANTIES OF DESIGN, OF NON-INFRINGEMENT, MERCHANTABILITY OR FITNESS FOR A PARTICULAR PURPOSE, OR ARISING FROM A COURSE OF DEALING, TRADE USAGE, TRADE PRACTICE, OR INDUSTRY STANDARDS.

ASSEMBLY	<ASSEMBLY_DESCRIPTION>
PAGE DETAIL	Power inputs and Filtering

<b>NVIDIA CORPORATION</b> 2701 SAN TOMAS EXPRESSWAY SANTA CLARA, CA 95050, USA			
NV_PN	600-1G174-BASE-A01	PRGE	19 OF 32
PCB REV	PG174-A01	DATE	10/DEC/2018
BOM REV	A		



SEQ:5V,1V8,NV3V3 ENABLE



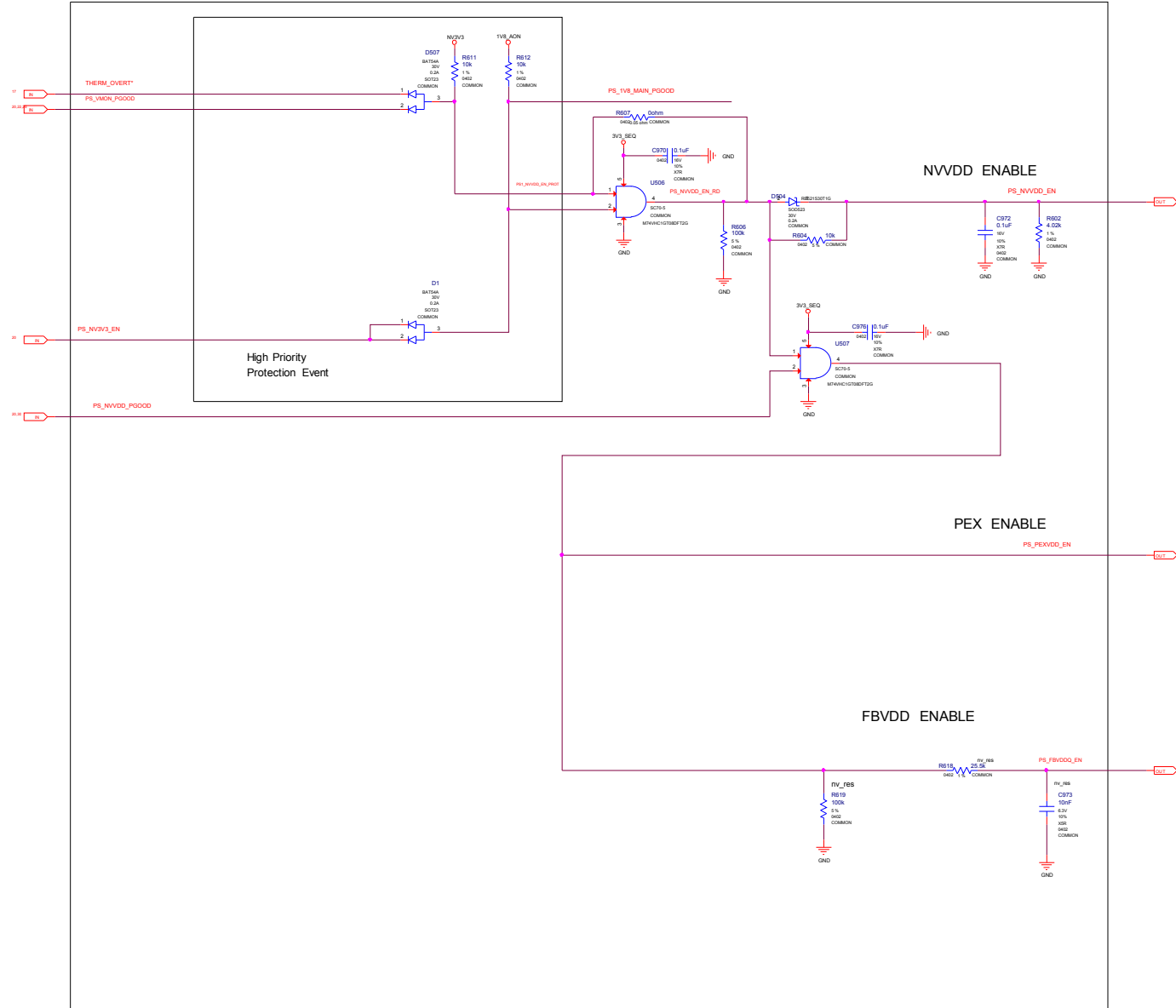
ALL NVIDIA DESIGN SPECIFICATIONS, REFERENCE SPECIFICATIONS, REFERENCE BOARDS, FILES, DRAWINGS, DIAGNOSTICS, LISTS AND OTHER DOCUMENTS (TOGETHER AND SEPARATELY, "MATERIALS") ARE BEING PROVIDED "AS IS" BY THE MATERIALS MANUFACTURER. NVIDIA MAKES NO WARRANTIES, EXPRESSED, IMPLIED, STATUTORY OR OTHERWISE, WITH RESPECT TO THE MATERIALS AND EXPRESSLY DISCLAIMS ALL IMPLIED WARRANTIES INCLUDING, WITHOUT LIMITATION, THE WARRANTIES OF DESIGN, MERCHANTABILITY OR FITNESS FOR A PARTICULAR PURPOSE, OR ARISING FROM A COURSE OF DEALING, TRADE USAGE, TRADE PRACTICE, OR INDUSTRY STANDARDS.

NVIDIA CORPORATION			
2701 SAN TOMAS EXPRESSWAY SANTA CLARA, CA 95050, USA			
NV_PN	600-1G174-BASE-A01	PRG	20 OF 32
PCB REV	PG174-A01	DATE	10/DEC/2018
BOM REV	A		





SEQ:NV,PEX,FB ENABLE

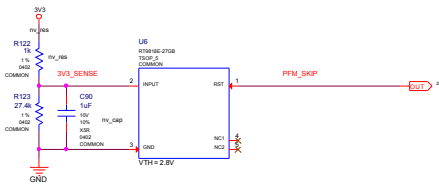
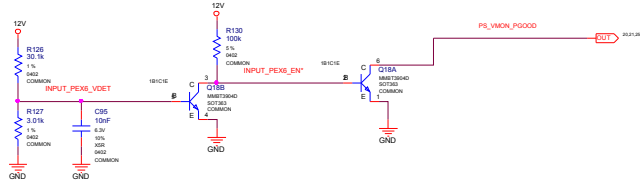


ALL NVIDIA DESIGN SPECIFICATIONS, REFERENCE SPECIFICATIONS, REFERENCE BOARDS, FILES, DRAWINGS, DIAGNOSTICS, LISTS AND OTHER DOCUMENTS OR INFORMATION (TOGETHER AND SEPARATELY, "MATERIALS") ARE BEING PROVIDED "AS IS". THE MATERIALS MAY CONTAIN KNOWN AND UNKNOWN VIOLATIONS OR DEVIATIONS OF INDUSTRY STANDARDS AND SPECIFICATIONS. NVIDIA MAKES NO WARRANTIES, EXPRESSED, IMPLIED, STATUTORY OR OTHERWISE WITH RESPECT TO THE MATERIALS OR OTHERWISE, AND EXPRESSLY DISCLAIMS ALL IMPLIED WARRANTIES INCLUDING, WITHOUT LIMITATION, THE WARRANTIES OF DESIGN, OF NONINFRINGEMENT, MERCHANTABILITY OR FITNESS FOR A PARTICULAR PURPOSE, OR ARISING FROM A COURSE OF DEALING, TRADE USAGE, TRADE PRACTICE, OR INDUSTRY STANDARDS.

ASSEMBLY	<ASSEMBLY_DESCRIPTION>
PAGE DETAIL	SEQ_NV_PEX_FB_ENABLE

<b>NVIDIA CORPORATION</b> 2701 SAN TOMAS EXPRESSWAY SANTA CLARA, CA 95050, USA			
NV_PN	600-1G174-BASE-A01	PG#	21 OF 32
PCB REV	PG174-A01	DATE	10/DEC/2018
BOM REV	A		

SEQUENCE:Voltage Monitor



Route the trace to PEX Galen Finger

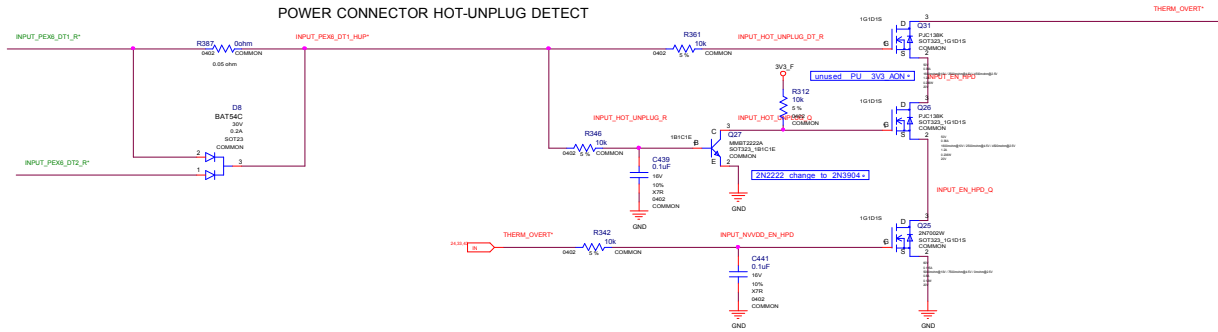
<b>NVIDIA CORPORATION</b> 2701 SAN TOMAS EXPRESSWAY SANTA CLARA, CA 95050, USA			
NV_PN	600-1G174-BASE-A01		
PCB REV	PG174-A01	PRGE	22 OF 32
BOM REV	A	DATE	10/DEC/2018



ALL NVIDIA DESIGN SPECIFICATIONS, REFERENCE SPECIFICATIONS, REFERENCE BOARDS, FILES, DRAWINGS, DIAGNOSTICS, LISTS AND OTHER DOCUMENTS (TOGETHER AND SEPARATELY, "MATERIALS") ARE BEING PROVIDED "AS IS". THE MATERIALS MAY CONTAIN KNOWN AND UNKNOWN VIOLATIONS OR DEVIATIONS OF INDUSTRY STANDARDS AND SPECIFICATIONS. NVIDIA MAKES NO WARRANTIES, EXPRESSED, IMPLIED, STATUTORY OR OTHERWISE WITH RESPECT TO THE MATERIALS AND EXPRESSLY DISCLAIMS ALL IMPLIED WARRANTIES INCLUDING, WITHOUT LIMITATION, THE WARRANTIES OF DESIGN, OF NONINFRINGEMENT, MERCHANTABILITY OR FITNESS FOR A PARTICULAR PURPOSE, OR ARISING FROM A COURSE OF DEALING, TRADE USAGE, TRADE PRACTICE, OR INDUSTRY STANDARDS.

PS: STEERING, UNDER POWER BOOT & HOT-UNPLUG

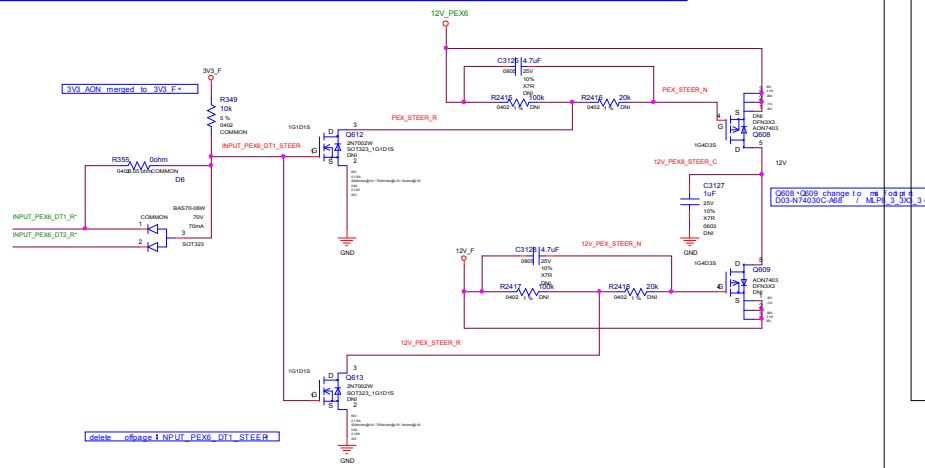
PEX Input Present 1



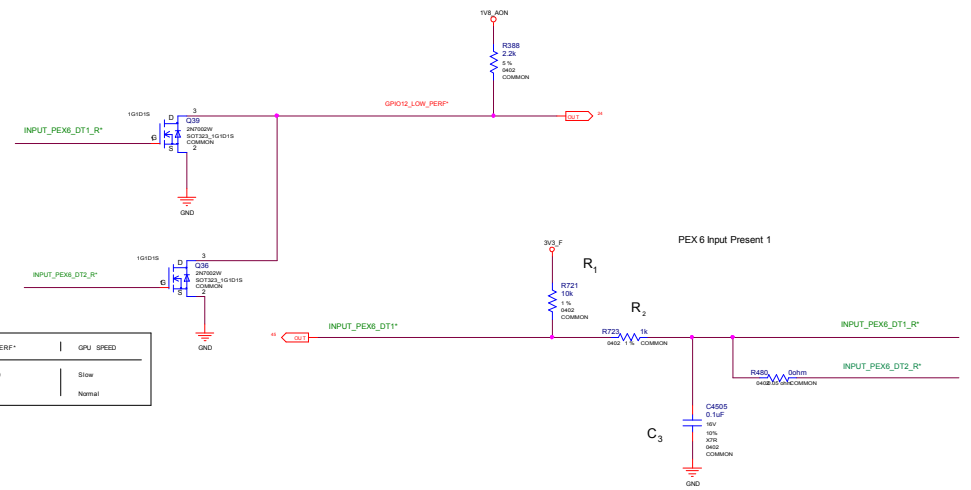
12V CURRENT STEERING (UNDER POWER BOOT):

GUIDES CURRENT FROM PEX EDGE TO PEX 6 PIN INPUT AREA

copied 12V CURRENT STEERING from V373-2.0 and BOM stuff ed



PEX Input - Power Level/PSI\* Control



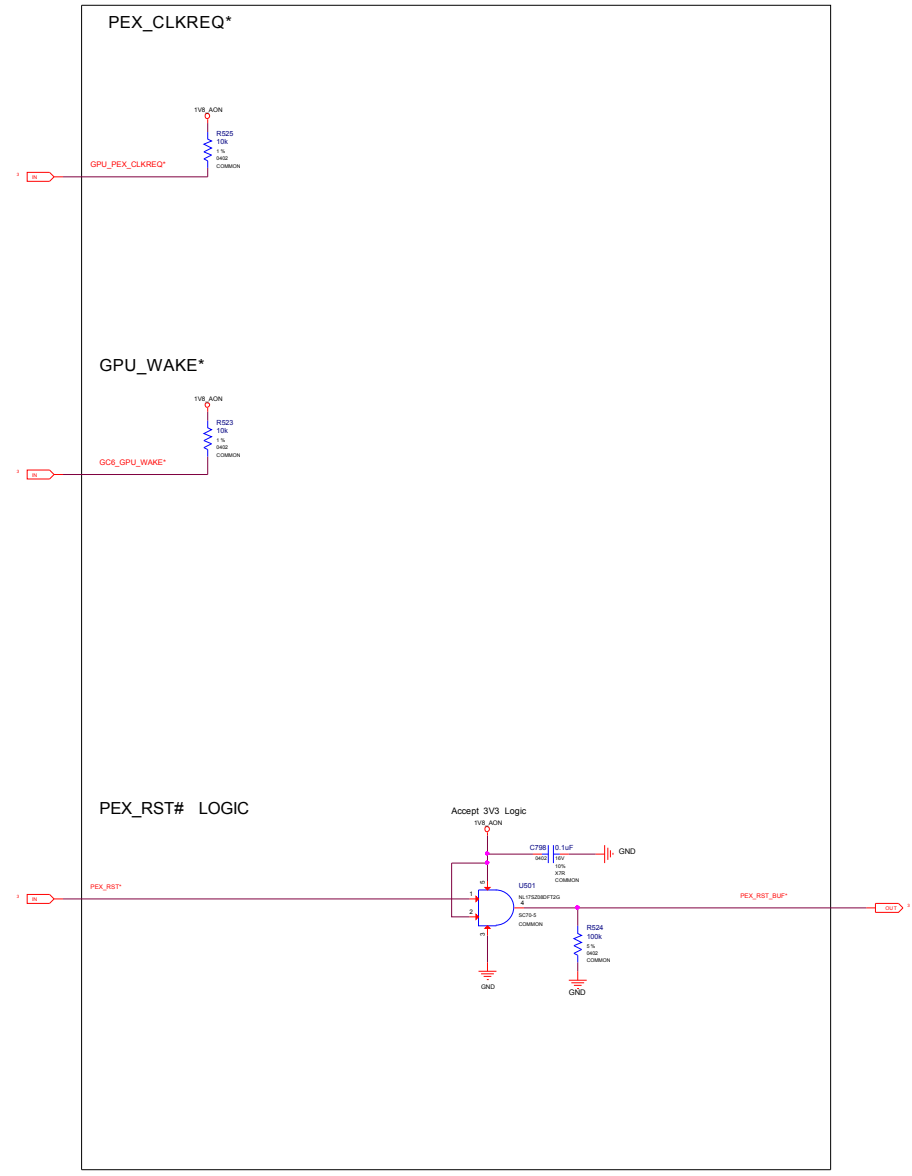
NVIDIA CORPORATION

2701 SAN TOMAS EXPRESSWAY  
SANTA CLARA, CA 95050, USA




NV_PN	600-1G174-BASE-A01	PKG#	23 OF 32
PCB REV	PG174-A01	DATE	10-DEC-2018
BCM REV	A		

ALL NVIDIA DESIGN SPECIFICATIONS, REFERENCE BOARDS, FILES, DRAWINGS, DIAGNOSTICS, LISTS AND OTHER DOCUMENTS (TOGETHER AND SEPARATELY, "MATERIALS") ARE BEING PROVIDED "AS IS". THE MATERIALS MAY CONTAIN KNOWN AND UNKNOWN VIOLATIONS OR DEVIATIONS OF INDUSTRY STANDARDS AND SPECIFICATIONS. NVIDIA MAKES NO WARRANTIES, EXPRESSED, IMPLIED, STATUTORY OR OTHERWISE WITH RESPECT TO THE MATERIALS OR OTHERWISE, AND EXPRESSLY DISCLAIMS ALL IMPLIED WARRANTIES INCLUDING, WITHOUT LIMITATION, THE WARRANTIES OF DESIGN, OF MERCHANTABILITY OR FITNESS FOR A PARTICULAR PURPOSE, OR ARISING FROM A COURSE OF DEALING, TRADE USAGE, TRADE PRACTICE, OR INDUSTRY STANDARDS.

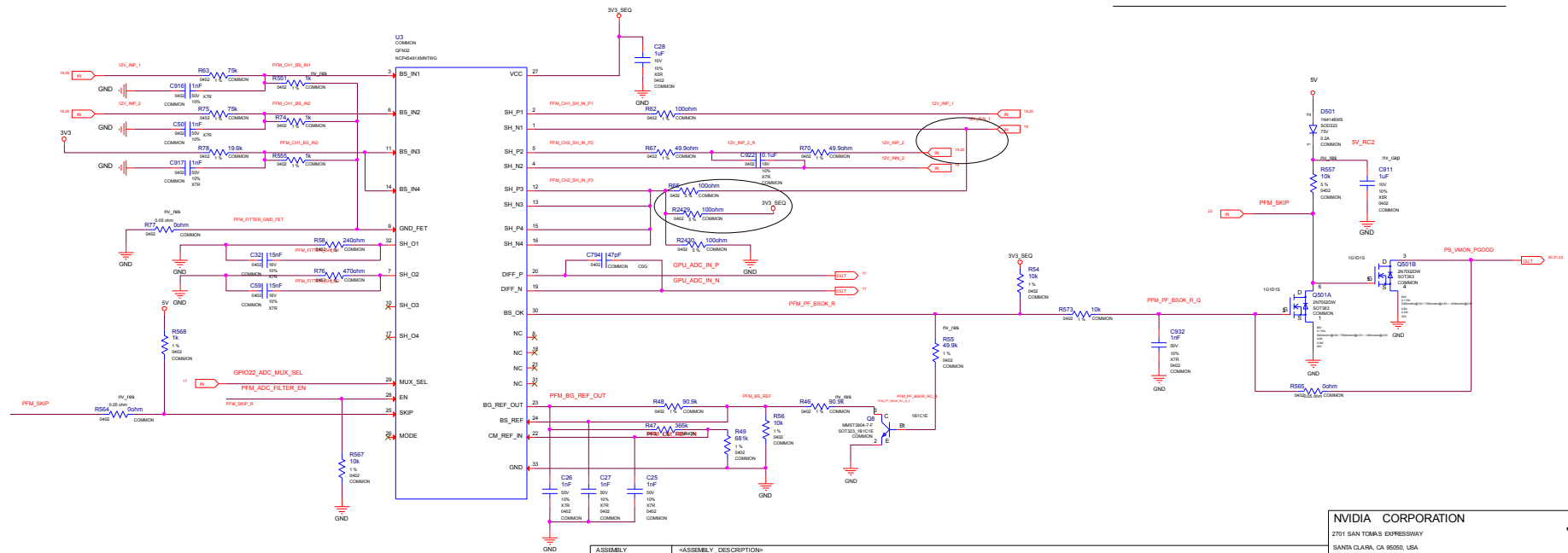


ALL NVIDIA DESIGN SPECIFICATIONS, REFERENCE SPECIFICATIONS, REFERENCE BOARDS, FILES, DRAWINGS, DIAGNOSTICS, LISTS AND OTHER DOCUMENTS (TOGETHER AND SEPARATELY, "MATERIALS") ARE BEING PROVIDED "AS IS." THE MATERIALS MAY CONTAIN KNOWN AND UNKNOWN VIOLATIONS OR DEVIATIONS OF INDUSTRY STANDARDS AND SPECIFICATIONS. NVIDIA MAKES NO WARRANTIES, EXPRESSED, IMPLIED, STATUTORY OR OTHERWISE WITH RESPECT TO THE MATERIALS AND EXPRESSLY DISCLAIMS ALL IMPLIED WARRANTIES INCLUDING, WITHOUT LIMITATION, THE WARRANTIES OF DESIGN, OF NONINFRINGEMENT, MERCHANTABILITY OR FITNESS FOR A PARTICULAR PURPOSE, OR ARISING FROM A COURSE OF DEALING, TRADE USAGE, TRADE PRACTICE, OR INDUSTRY STANDARDS.

ASSEMBLY	<ASSEMBLY_DESCRIPTION>
PAGE DETAIL	SEQ_MISC

<b>NVIDIA CORPORATION</b> 2701 SAN TOMAS EXPRESSWAY SANTA CLARA, CA 95050, USA				
NV_PN	600-1G174-BASE-A01			
PCB REV	PG174-A01		PRGGE	24 OF 32
BOM REV	A		DATE	10/DEC/2018

PWR SENSE




MODE PN STATUS	MULTIPLEXER OPERATION
LOW	DEVICE A
TRI-STATE(FLOATING)	STAND-ALONE
HIGH	DEVICE B

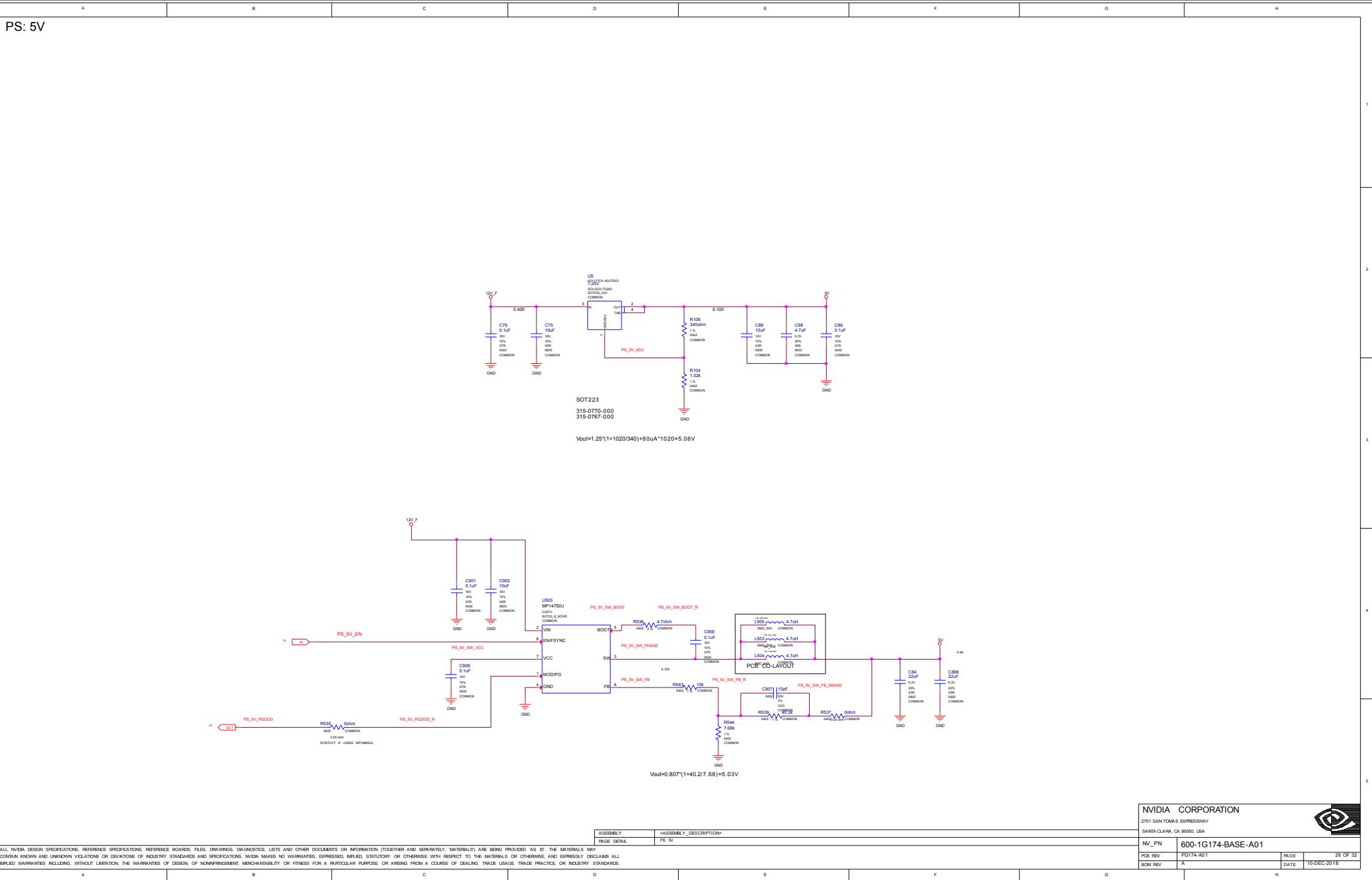
ENABLE PN STATUS	MULTIPLEXER OPERATION
LOW	FULLY FUNCTIONAL
TRI-STATE(FLOATING)	LIMITED FUNCTION
HIGH	STANDBY

ALL NVIDIA DESIGN SPECIFICATIONS, REFERENCE SPECIFICATIONS, REFERENCE BOARDS, FILES, DRAWINGS, DIAGNOSTICS, LISTS AND OTHER DOCUMENTS (TOGETHER AND SEPARATELY, "MATERIALS") ARE BEING PROVIDED "AS IS" BY THE MATERIALS MANUFACTURER. NVIDIA MAKES NO WARRANTIES, EXPRESSED, IMPLIED, STATUTORY OR OTHERWISE WITH RESPECT TO THE MATERIALS AND EXPRESSLY DISCLAIMS ALL WARRANTIES INCLUDING, WITHOUT LIMITATION, THE WARRANTIES OF DESIGN, OF NONINFRINGEMENT, MERCHANTABILITY OR FITNESS FOR A PARTICULAR PURPOSE, OR ARISING FROM A COURSE OF DEALING, TRADE USAGE, TRADE PRACTICE, OR INDUSTRY CUSTOMS.


**NVIDIA CORPORATION**  
 2701 SAN TOMAS EXPRESSWAY  
 SANTA CLARA, CA 95050, USA



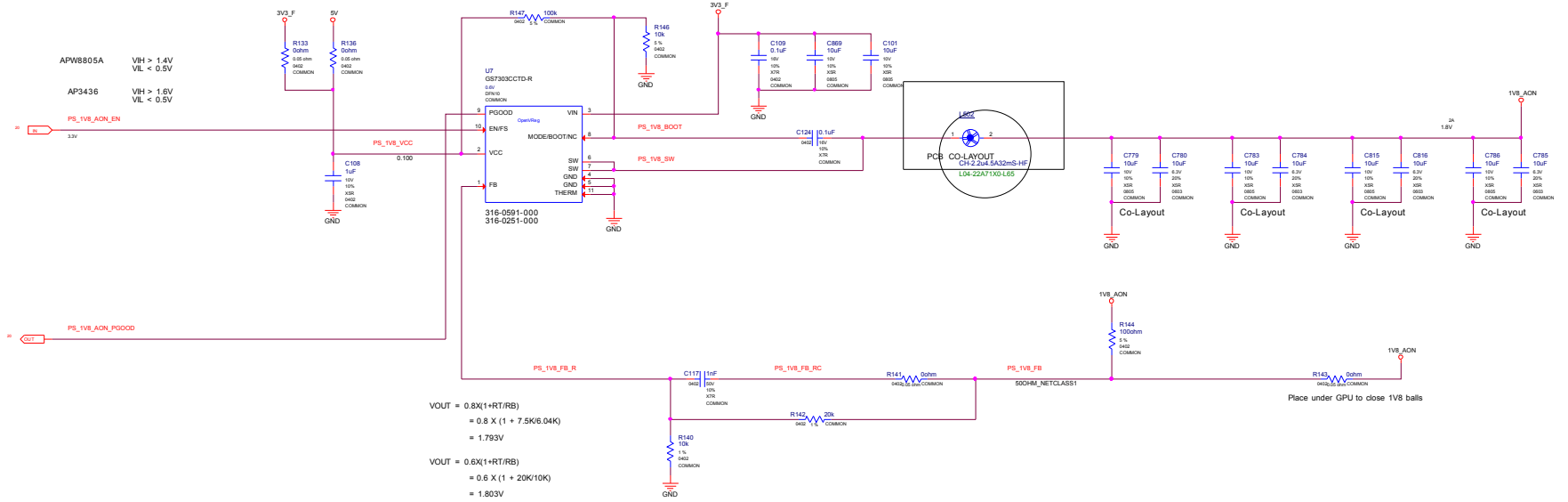
NV_PN	600-1G174-BASE-A01
PCB REV	PG174-A01
BOM REV	A
PRG	25 OF 32
DATE	10/DEC/2018



ALL NVIDIA DESIGN SPECIFICATIONS, REFERENCE SPECIFICATIONS, REFERENCE BOARDS, FILES, DRAWINGS, DIAGNOSTICS, LISTS AND OTHER DOCUMENTS (TOGETHER AND SEPARATELY, "MATERIALS") ARE BEING PROVIDED "AS IS" THE MATERIALS MAY CONTAIN KNOWN AND UNKNOWN VIOLATIONS OR DEVIATIONS OF INDUSTRY STANDARDS AND SPECIFICATIONS. NVIDIA MAKES NO WARRANTIES, EXPRESSED, IMPLIED, STATUTORY OR OTHERWISE WITH RESPECT TO THE MATERIALS OR OTHERWISE, AND EXPRESSLY DISCLAIMS ALL IMPLIED WARRANTIES INCLUDING, WITHOUT LIMITATION, THE WARRANTIES OF DESIGN, OF NON-INFRINGEMENT, MERCHANTABILITY OR FITNESS FOR A PARTICULAR PURPOSE, OR ARISING FROM A COURSE OF DEALING, TRADE USAGE, TRADE PRACTICE, OR INDUSTRY STANDARDS.

<b>NVIDIA CORPORATION</b> 2701 SAN TOMAS EXPRESSWAY SANTA CLARA, CA 95050, USA			
NV_PN	600-1G174-BASE-A01	PG#	28 OF 32
PCB REV	PG174-A01	DATE	10/DEC/2018
BOM REV	A		

PS: 1V8



$V_{OUT} = 0.8 \times (1 + R_T/R_B)$   
 $= 0.8 \times (1 + 7.5K/6.04K)$   
 $= 1.793V$

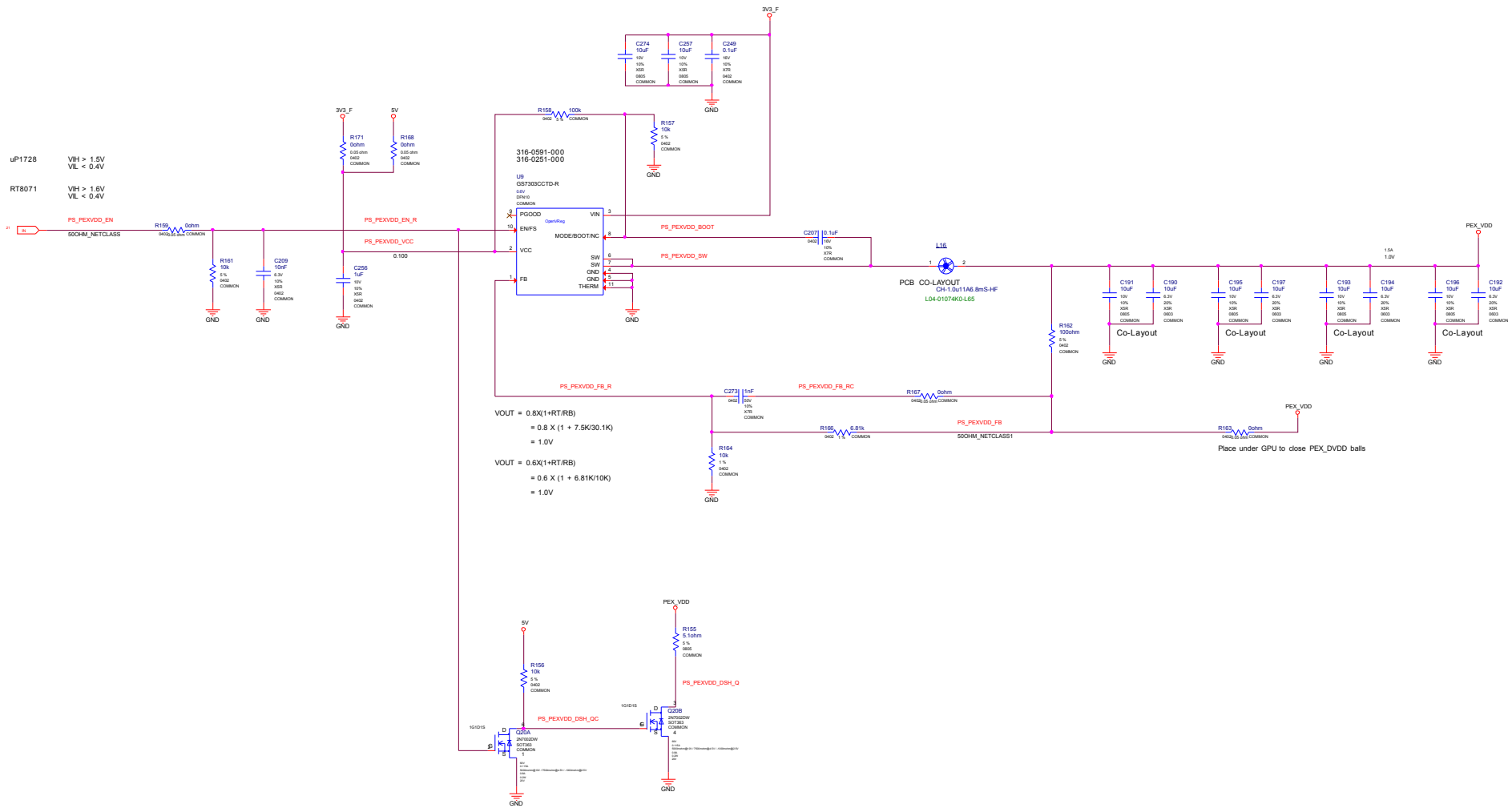
$V_{OUT} = 0.6 \times (1 + R_T/R_B)$   
 $= 0.6 \times (1 + 20K/10K)$   
 $= 1.803V$

<b>NVIDIA CORPORATION</b> 2701 SAN TOMAS EXPRESSWAY SANTA CLARA, CA 95050, USA			
NV_PN	600-1G174-BASE-A01	PGE	27 OF 32
PCB REV	PG174-A01	DATE	10/DEC/2018
BOM REV	A		

ALL NVIDIA DESIGN SPECIFICATIONS, REFERENCE SPECIFICATIONS, REFERENCE BOARDS, FILES, DRAWINGS, DIAGNOSTICS, LISTS AND OTHER DOCUMENTS (TOGETHER AND SEPARATELY, "MATERIALS") ARE BEING PROVIDED "AS IS". THE MATERIALS MAY CONTAIN KNOWN AND UNKNOWN VIOLATIONS OR DEVIATIONS OF INDUSTRY STANDARDS AND SPECIFICATIONS. NVIDIA MAKES NO WARRANTIES, EXPRESSED, IMPLIED, STATUTORY OR OTHERWISE WITH RESPECT TO THE MATERIALS AND EXPRESSLY DISCLAIMS ALL IMPLIED WARRANTIES INCLUDING, WITHOUT LIMITATION, THE WARRANTIES OF DESIGN, OF NONINFRINGEMENT, MERCHANTABILITY OR FITNESS FOR A PARTICULAR PURPOSE, OR ARISING FROM A COURSE OF DEALING, TRADE USAGE, TRADE PRACTICE, OR INDUSTRY STANDARDS.



# PS: PEXVDD



$$V_{OUT} = 0.8 \times (1 + RT/RB)$$

$$= 0.8 \times (1 + 7.5k/30.1k)$$

$$= 1.0V$$
  

$$V_{OUT} = 0.6 \times (1 + RT/RB)$$

$$= 0.6 \times (1 + 6.81k/10k)$$

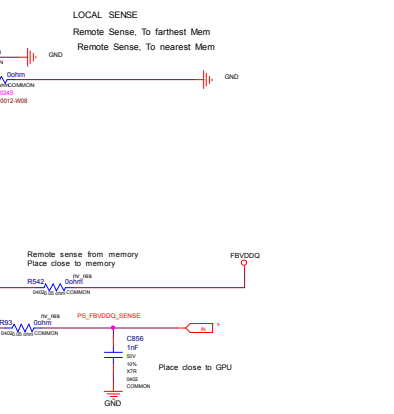
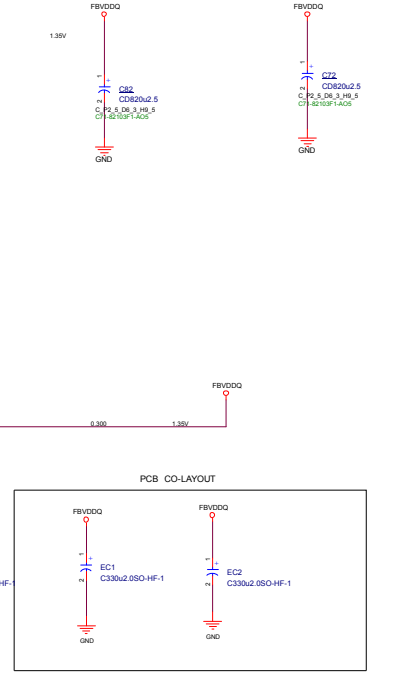
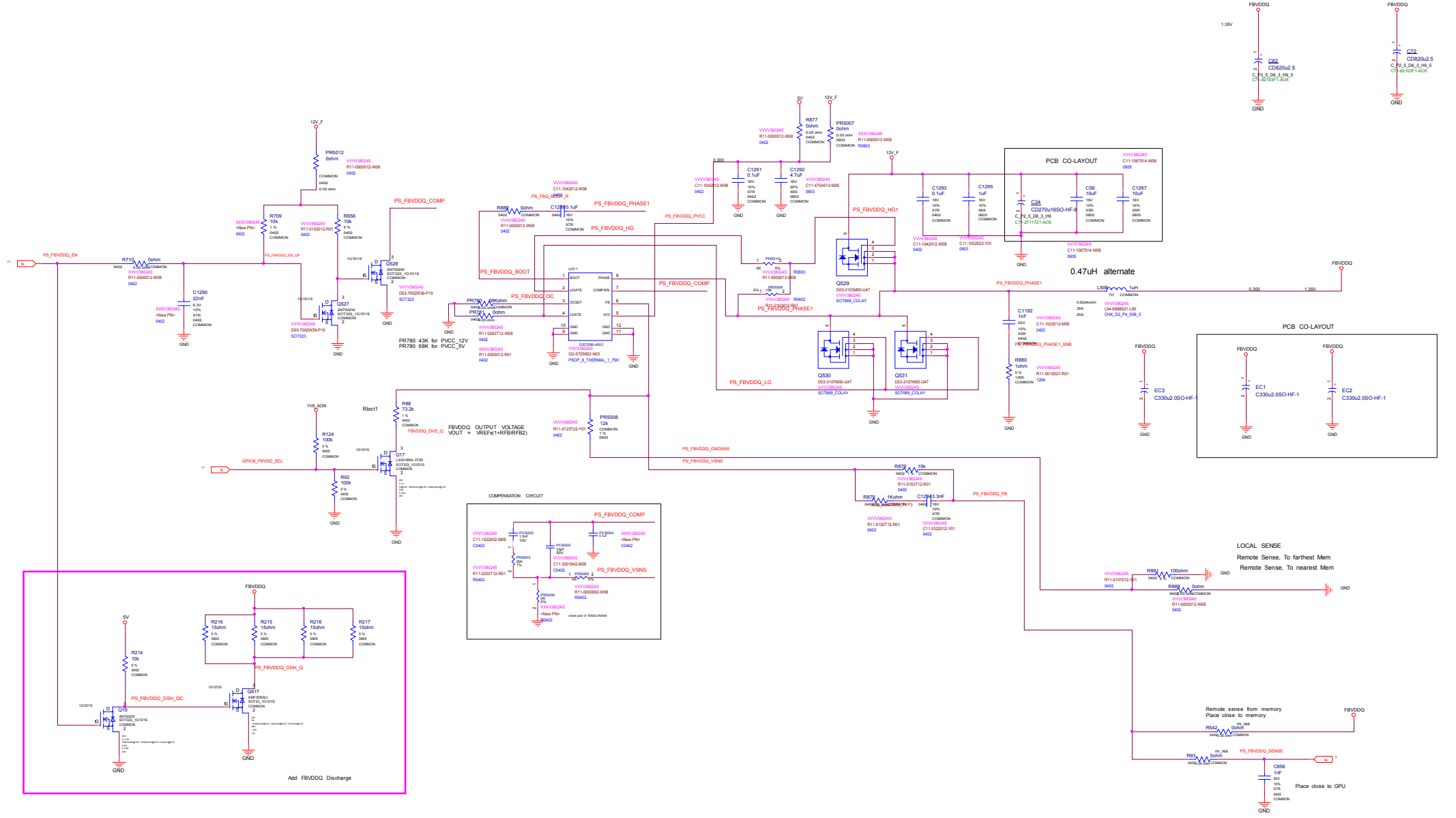
$$= 1.0V$$

<b>NVIDIA CORPORATION</b> 2701 SAN TOMAS EXPRESSWAY SANTA CLARA, CA 95050, USA			
NV_PN	600-1G174-BASE-A01		
PCB REV	PG174-A01	PRGE	28 OF 32
BOM REV	A	DATE	10/DEC/2018

ALL NVIDIA DESIGN SPECIFICATIONS, REFERENCE SPECIFICATIONS, REFERENCE BOARDS, FILES, DRAWINGS, DIAGNOSTICS, LISTS AND OTHER DOCUMENTS (TOGETHER AND SEPARATELY, "MATERIALS") ARE BEING PROVIDED "AS IS" THE MATERIALS MAY CONTAIN KNOWN AND UNKNOWN VIOLATIONS OR DEVIATIONS OF INDUSTRY STANDARDS AND SPECIFICATIONS. NVIDIA MAKES NO WARRANTIES, EXPRESSED, IMPLIED, STATUTORY OR OTHERWISE WITH RESPECT TO THE MATERIALS AND EXPRESSLY DISCLAIMS ALL IMPLIED WARRANTIES INCLUDING, WITHOUT LIMITATION, THE WARRANTIES OF DESIGN, OF NONINFRINGEMENT, MERCHANTABILITY OR FITNESS FOR A PARTICULAR PURPOSE, OR ARISING FROM A COURSE OF DEALING, TRADE USAGE, TRADE PRACTICE, OR INDUSTRY STANDARDS.



PS: FBVDDQ



**NVIDIA CORPORATION**  
 2701 SAN TOMAS EXPRESSWAY  
 SANTA CLARA, CA 95050, USA

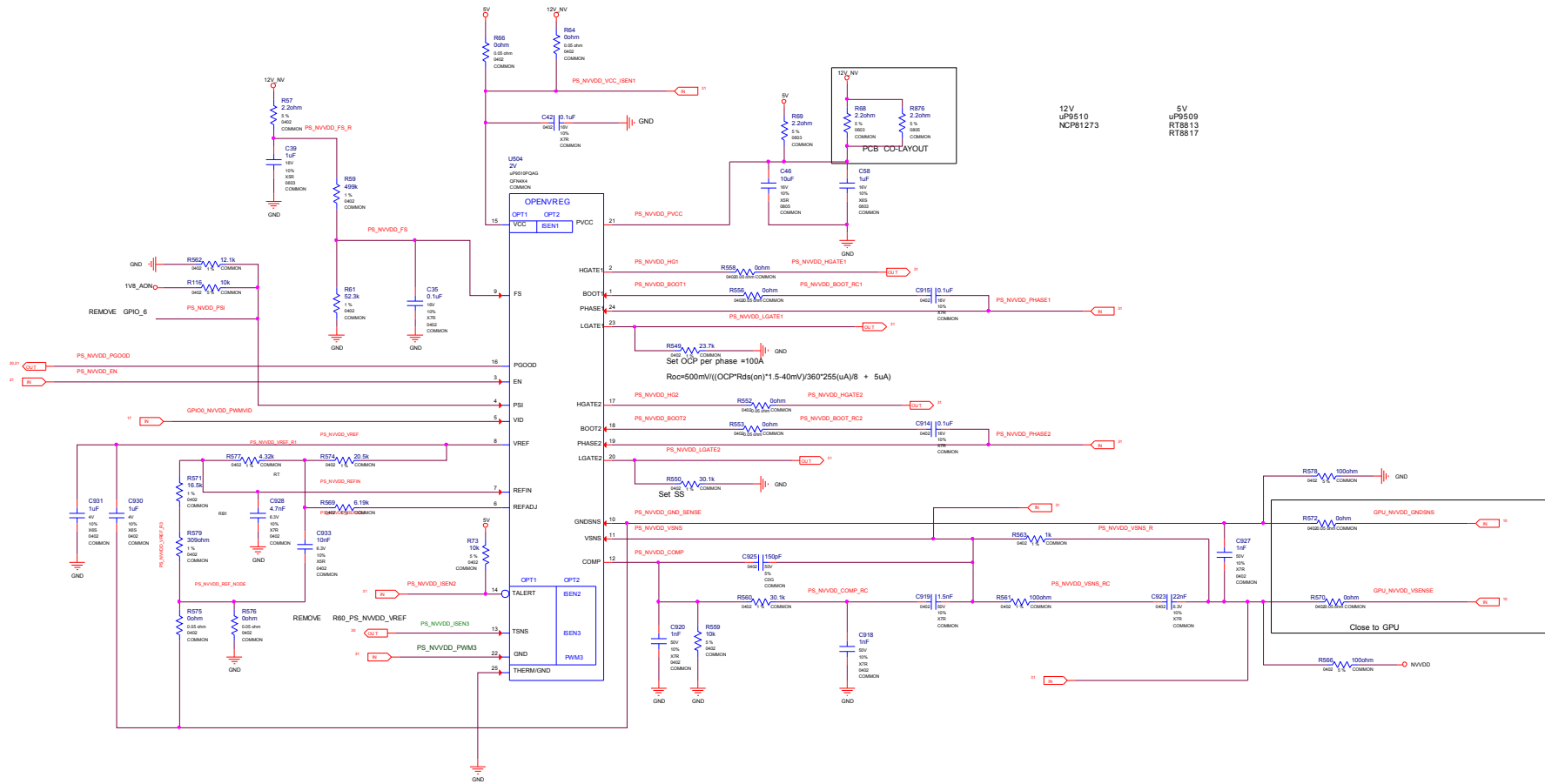


ALL NVIDIA DESIGN SPECIFICATIONS, REFERENCE BOARD SPECIFICATIONS, REFERENCE BOARDS, FILES, DRAWINGS, DIAGNOSTICS, LISTS AND OTHER DOCUMENTS (TOGETHER AND SEPARATELY, "MATERIALS") ARE BEING PROVIDED "AS IS". THE MATERIALS MAY CONTAIN KNOWN AND UNKNOWN TYPING ERRORS OR DEVIATIONS OF INDUSTRY STANDARDS AND SPECIFICATIONS. NVIDIA MAKES NO WARRANTIES, EXPRESSED, IMPLIED, STATUTORY OR OTHERWISE WITH RESPECT TO THE MATERIALS OR OTHERWISE, AND EXPRESSLY DISCLAIMS ALL IMPLIED WARRANTIES INCLUDING, WITHOUT LIMITATION, THE WARRANTIES OF DESIGN, OF NON-INFRINGEMENT, MERCHANTABILITY OR FITNESS FOR A PARTICULAR PURPOSE, OR ARISING FROM A COURSE OF DEALING, TRADE USAGE, TRADE PRACTICE, OR INDUSTRY STANDARDS.

ASSEMBLY	<ASSEMBLY_DESCRIPTION>	REV	DATE
PS: FBVDDQ			
NV_PN	600-1G174-BASE-A01		
PCB REV	PG174-A01	PRGE	29 OF 32
BOM REV	A	DATE	10/DEC/2018

# PS: NVVDD OVR2+1

NCP81273 EN VH >1.5V, VL < 0.7V  
 UFS50910 EN VH >1.2V, VL < 0.6V  
 RT8817A EN VH >1.2V, VL < 0.6V



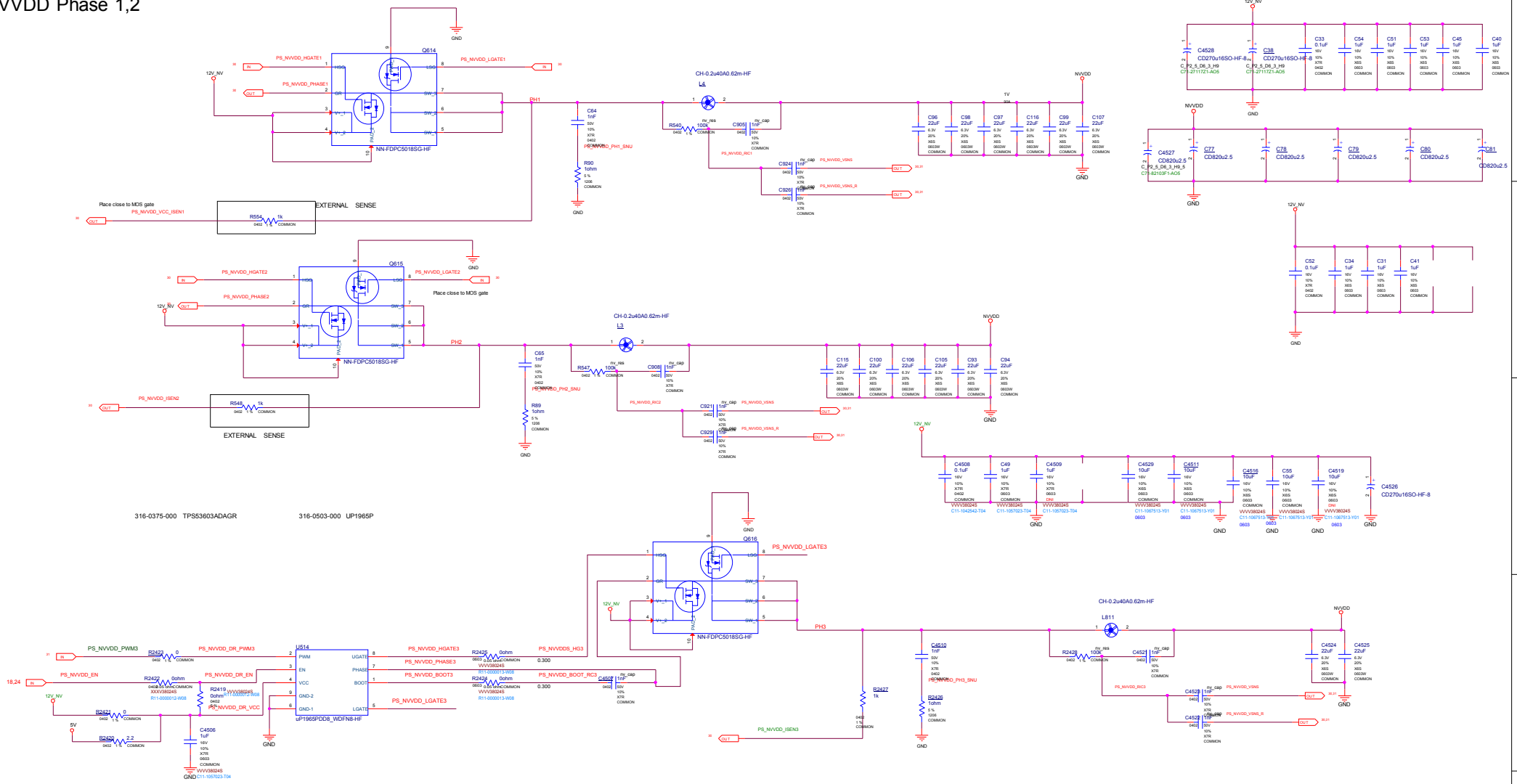
NVPN	Name	PVCC(21)	VCC(15)
316-0478-000	NCP81273	12V	LDQ_OUT
316-0476-000	UFS510	12V	ISENSE
316-0484-000	RT8817A	5V	NC

<<--Default  
 <<--2nd source

<b>ASSEMBLY</b> <ASSEMBLY_DESCRIPTION> PS: NVVDD OVR2+1			
NVIDIA CORPORATION 2701 SAN TOMAS EXPRESSWAY SANTA CLARA, CA 95050, USA			
NV_PN	600-1G174-BASE-A01	PRGE	30 OF 32
PCB REV	PG174-A01	DATE	10/DEC/2018
BOM REV	A		

ALL NVIDIA DESIGN SPECIFICATIONS, REFERENCE SPECIFICATIONS, REFERENCE BOARDS, FILES, DRAWINGS, DIAGNOSTICS, LISTS AND OTHER DOCUMENTS (TOGETHER AND SEPARATELY, "MATERIALS") ARE BEING PROVIDED "AS IS" BY THE MATERIALS MANUFACTURER. NVIDIA MAKES NO WARRANTIES, EXPRESSED, IMPLIED, STATUTORY OR OTHERWISE, WITH RESPECT TO THE MATERIALS OR OTHERWISE, AND EXPRESSLY DISCLAIMS ALL IMPLIED WARRANTIES INCLUDING, WITHOUT LIMITATION, THE WARRANTIES OF DESIGN, OF MERCHANTABILITY OR FITNESS FOR A PARTICULAR PURPOSE, OR ARISING FROM A COURSE OF DEALING, TRADE USAGE, TRADE PRACTICE, OR INDUSTRY STANDARDS.

# PS: NVVDD Phase 1,2



316-0375-000 TPSS3603ADAQR  
316-0503-000 UP1965P

ALL NVIDIA DESIGN SPECIFICATIONS, REFERENCE SPECIFICATIONS, REFERENCE BOARDS, FILES, DRAWINGS, DIAGNOSTICS, LISTS AND OTHER DOCUMENTS (TOGETHER AND SEPARATELY, "MATERIALS") ARE BEING PROVIDED "AS IS." THE MATERIALS MAY CONTAIN KNOWN AND UNKNOWN VIOLATIONS OR DEVIATIONS OF INDUSTRY STANDARDS AND SPECIFICATIONS. NVIDIA MAKES NO WARRANTIES, EXPRESSED, IMPLIED, STATUTORY OR OTHERWISE WITH RESPECT TO THE MATERIALS OR OTHERWISE, AND EXPRESSLY DISCLAIMS ALL IMPLIED WARRANTIES INCLUDING, WITHOUT LIMITATION, THE WARRANTIES OF DESIGN, OF NONINFRINGEMENT, MERCHANTABILITY OR FITNESS FOR A PARTICULAR PURPOSE, OR ARISING FROM A COURSE OF DEALING, TRADE USAGE, TRADE PRACTICE, OR INDUSTRY STANDARDS.

ASSEMBLY	-ASSEMBLY DESCRIPTION-
PAGE DETAIL	PS: NVVDD Phase 1,2

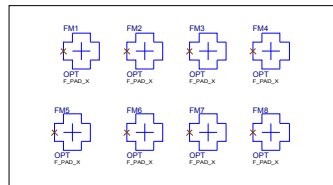
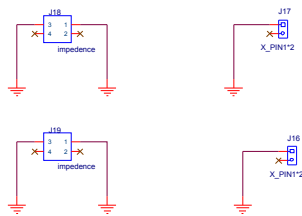
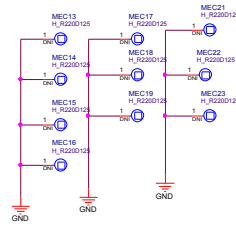
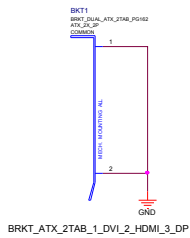
**NVIDIA CORPORATION**  
 2701 SAN TOMAS EXPRESSWAY  
 SANTA CLARA, CA 95050, USA

**600-1G174-BASE-A01**

PCB REV	PG174-A01	PRGE	31 OF 32
BOM REV	A	DATE	10/DEC/2018

Mechanical: Bracket/Thermal Solution

Brackets:



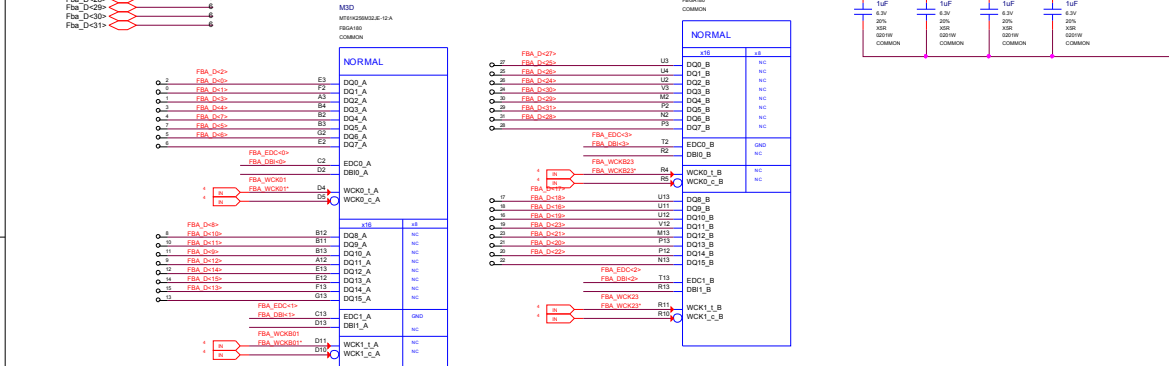
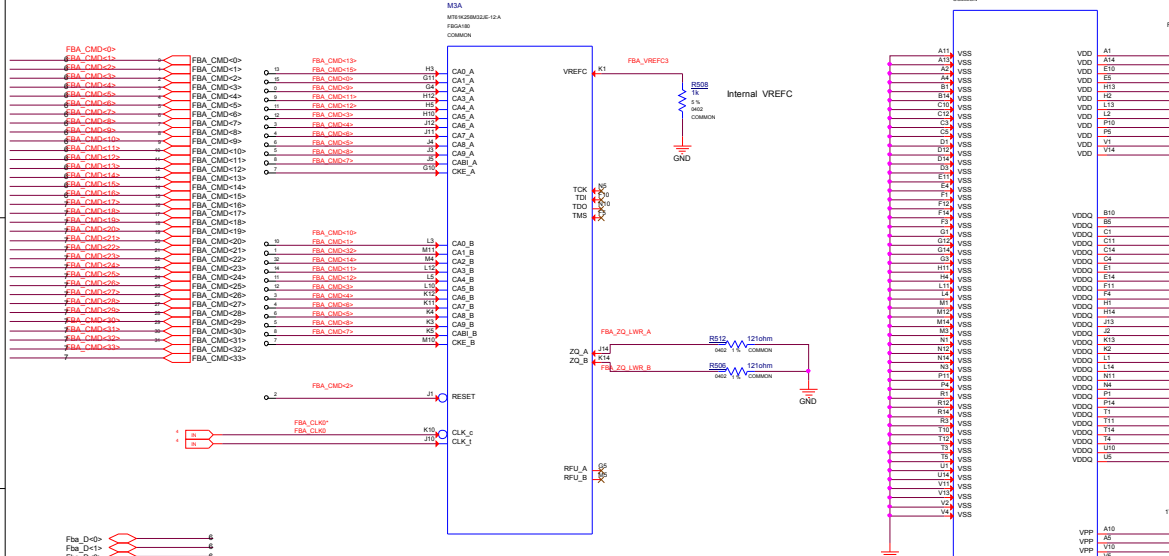
ALL NVIDIA DESIGN SPECIFICATIONS, REFERENCE SPECIFICATIONS, REFERENCE BOARDS, FILES, DRAWINGS, DIAGNOSTICS, LISTS AND OTHER DOCUMENTS (TOGETHER AND SEPARATELY, "MATERIALS") ARE BEING PROVIDED "AS IS." THE MATERIALS MAY CONTAIN KNOWN AND UNKNOWN VIOLATIONS OR DEVIATIONS OF INDUSTRY STANDARDS AND SPECIFICATIONS. NVIDIA MAKES NO WARRANTIES, EXPRESSED, IMPLIED, STATUTORY OR OTHERWISE WITH RESPECT TO THE MATERIALS AND EXPRESSLY DISCLAIMS ALL IMPLIED WARRANTIES INCLUDING, WITHOUT LIMITATION, THE WARRANTIES OF DESIGN, OF NON-INFRINGEMENT, MERCHANTABILITY OR FITNESS FOR A PARTICULAR PURPOSE, OR ARISING FROM A COURSE OF DEALING, TRADE USAGE, TRADE PRACTICE, OR INDUSTRY STANDARDS.

ASSEMBLY	<ASSEMBLY_DESCRIPTION>		
PAGE DETAIL	MECH Bracket/Thermal		
NV_PN	600-1G174-BASE-A01	PG#	32 OF 32
PCB REV	PG174-A01	DATE	10/DEC/2018
BOM REV	A		

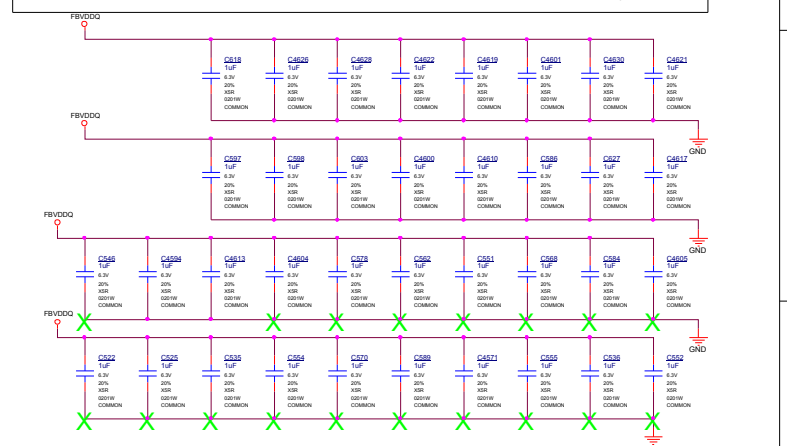
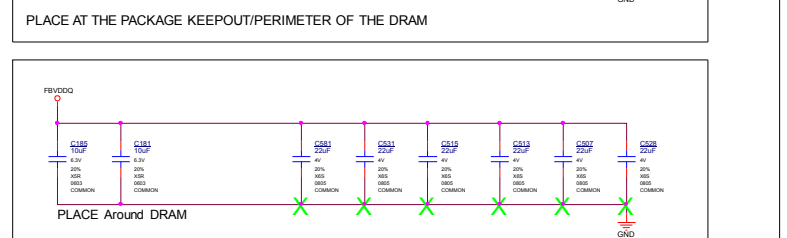
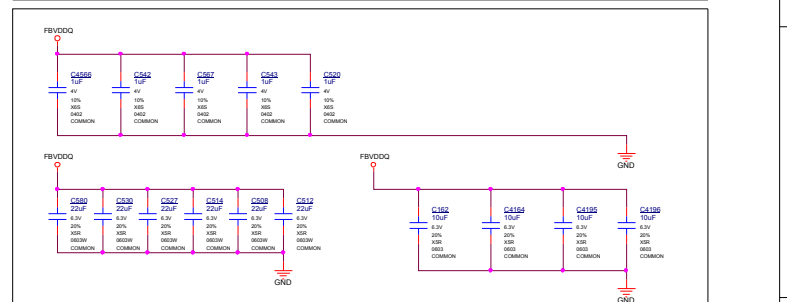
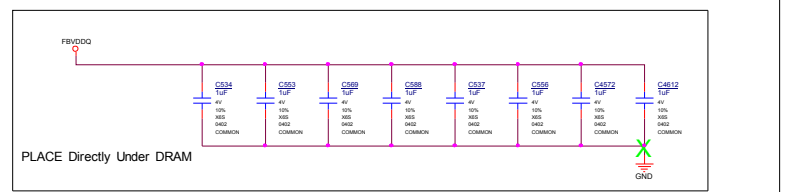
NVIDIA CORPORATION  
2701 SAN TOMAS EXPRESSWAY  
SANTA CLARA, CA 95050, USA



# MEMORY: FBA Partition 31..0



Signal	Pin	Signal	Pin
FBA_CMD0	A11	FBA_DBI0	A11
FBA_CMD1	A12	FBA_DBI1	A12
FBA_CMD2	A13	FBA_DBI2	A13
FBA_CMD3	A14	FBA_DBI3	A14
FBA_CMD4	A15	FBA_DBI4	A15
FBA_CMD5	A16	FBA_DBI5	A16
FBA_CMD6	A17	FBA_DBI6	A17
FBA_CMD7	A18	FBA_DBI7	A18
FBA_CMD8	A19	FBA_EDC0	A19
FBA_CMD9	A20	FBA_EDC1	A20
FBA_CMD10	A21	FBA_EDC2	A21
FBA_CMD11	A22	FBA_EDC3	A22
FBA_CMD12	A23	FBA_EDC4	A23
FBA_CMD13	A24	FBA_EDC5	A24
FBA_CMD14	A25	FBA_EDC6	A25
FBA_CMD15	A26	FBA_EDC7	A26
FBA_CMD16	A27		
FBA_CMD17	A28		
FBA_CMD18	A29		
FBA_CMD19	A30		
FBA_CMD20	A31		
FBA_CMD21	A32		
FBA_CMD22	A33		
FBA_CMD23	A34		
FBA_CMD24			
FBA_CMD25			
FBA_CMD26			
FBA_CMD27			
FBA_CMD28			
FBA_CMD29			
FBA_CMD30			
FBA_CMD31			
FBA_CMD32			
FBA_CMD33			



**ASSEMBLY** -> **MEMORY: FBA[31:0]**

**MEMORY: FBA[31:0]**

ASSEMBLY: 600-1G177-BASE-000

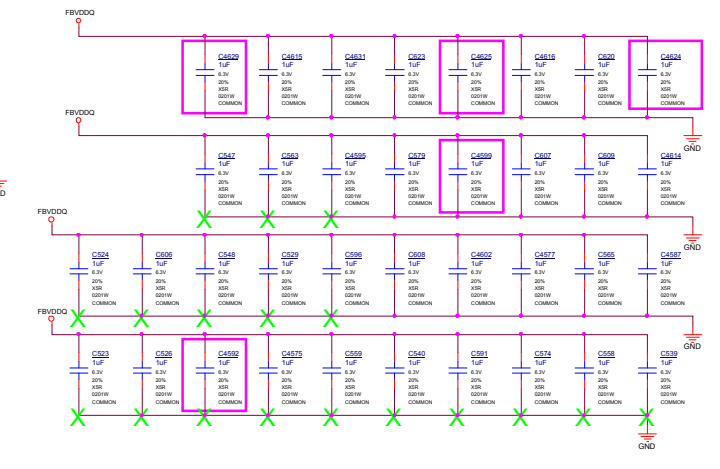
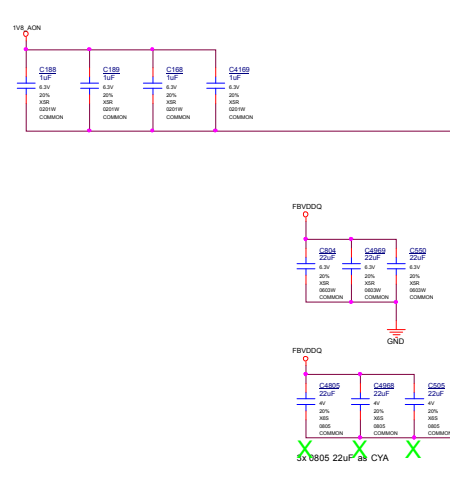
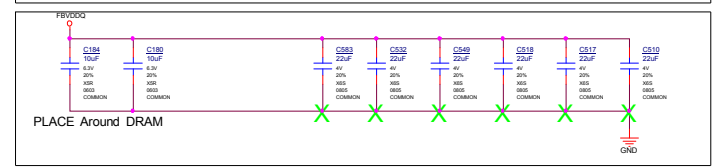
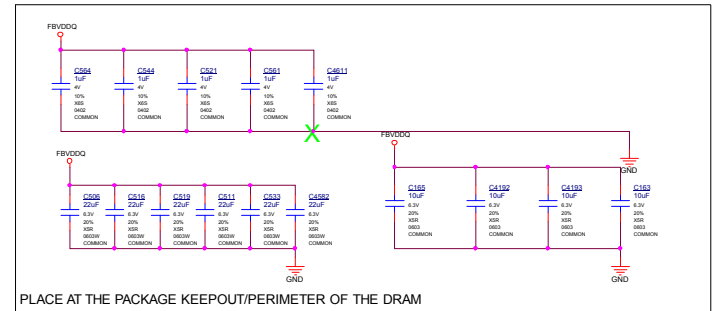
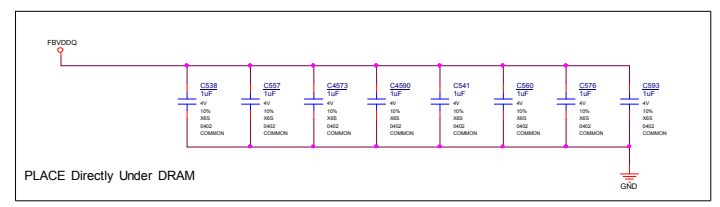
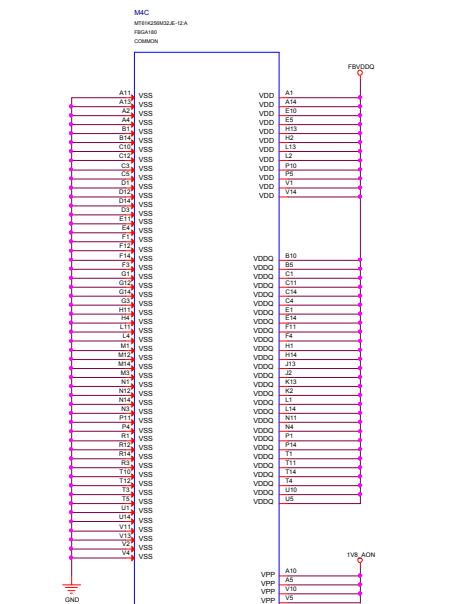
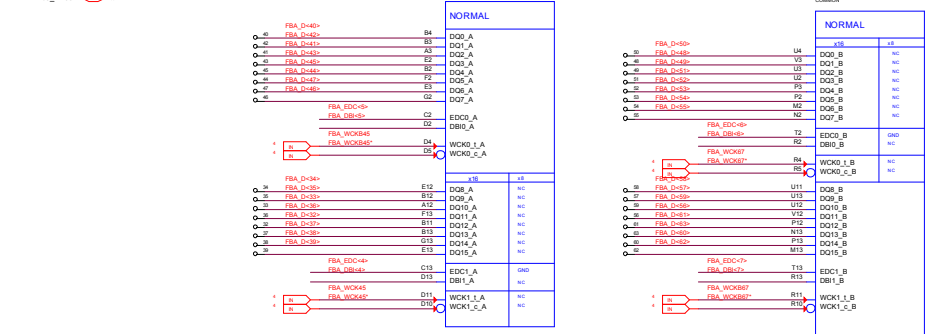
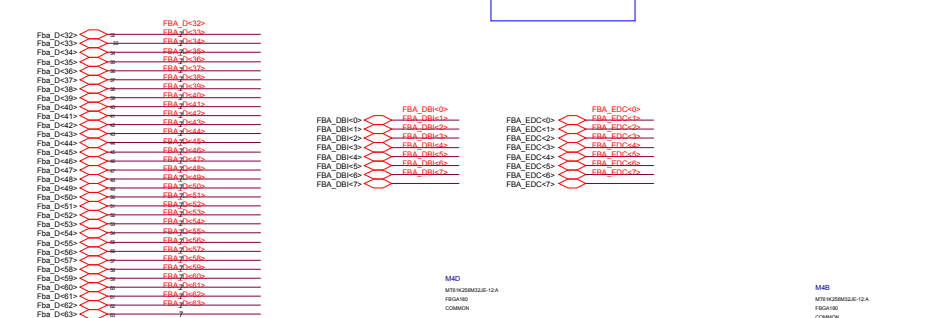
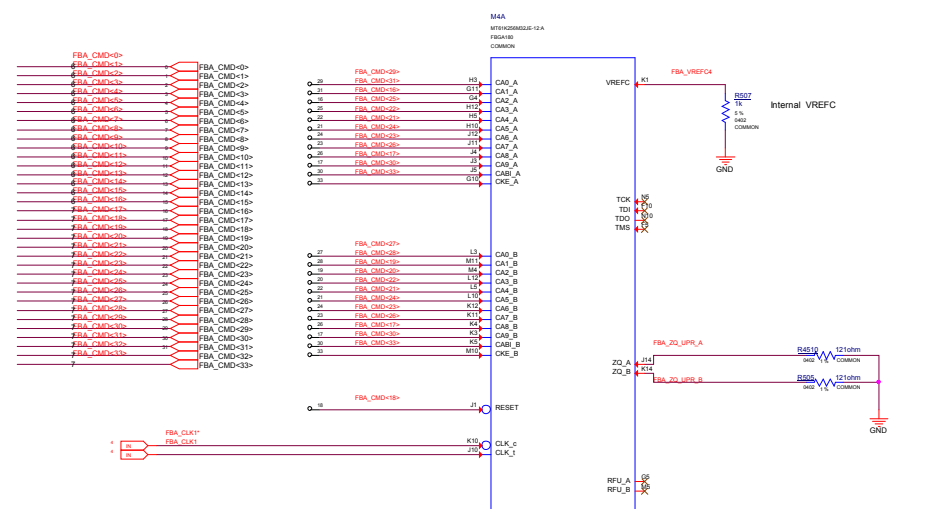
PCB REV: PG177-ADD

DATE: 20/FEB/2019

5 OF 38

ALL NVIDIA DESIGN SPECIFICATIONS, REFERENCE SPECIFICATIONS, REFERENCE BOARDS, FILES, DRAWINGS, DIAGNOSTICS, LISTS AND OTHER DOCUMENTS (TOGETHER AND SEPARATELY, "MATERIALS") ARE BEING PROVIDED "AS IS". THE MATERIALS MAY CONTAIN KNOWN AND UNKNOWN VIOLATIONS OR DEVIATIONS OF INDUSTRY STANDARDS AND SPECIFICATIONS. NVIDIA MAKES NO WARRANTIES, EXPRESSED, IMPLIED, STATUTORY OR OTHERWISE, WITH RESPECT TO THE MATERIALS OR OTHERWISE, AND EXPRESSLY DISCLAIMS ALL IMPLIED WARRANTIES INCLUDING, WITHOUT LIMITATION, THE WARRANTIES OF DESIGN, OF NONINFRINGEMENT, MERCHANTABILITY OR FITNESS FOR A PARTICULAR PURPOSE, OR ARISING FROM A COURSE OF DEALING, TRADE USAGE, TRADE PRACTICE, OR INDUSTRY STANDARDS.

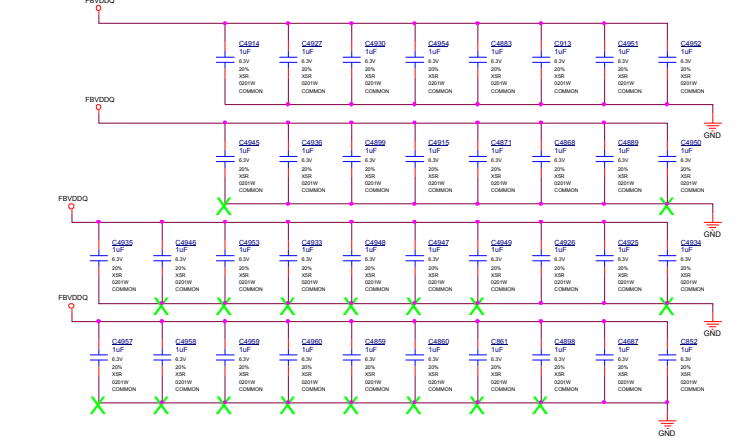
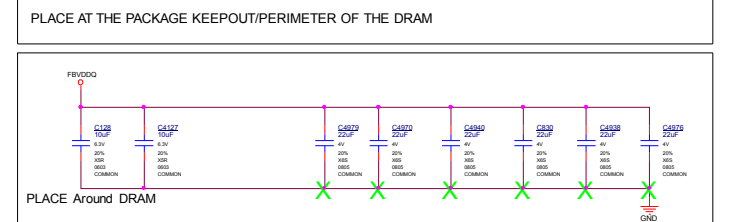
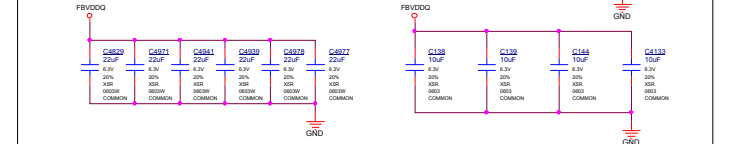
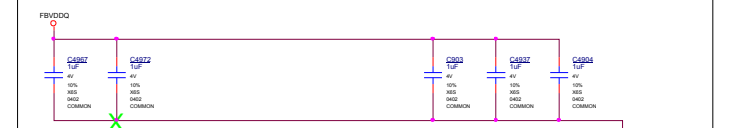
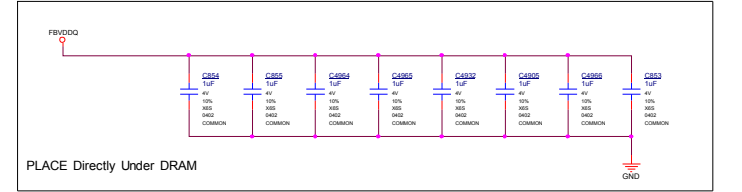
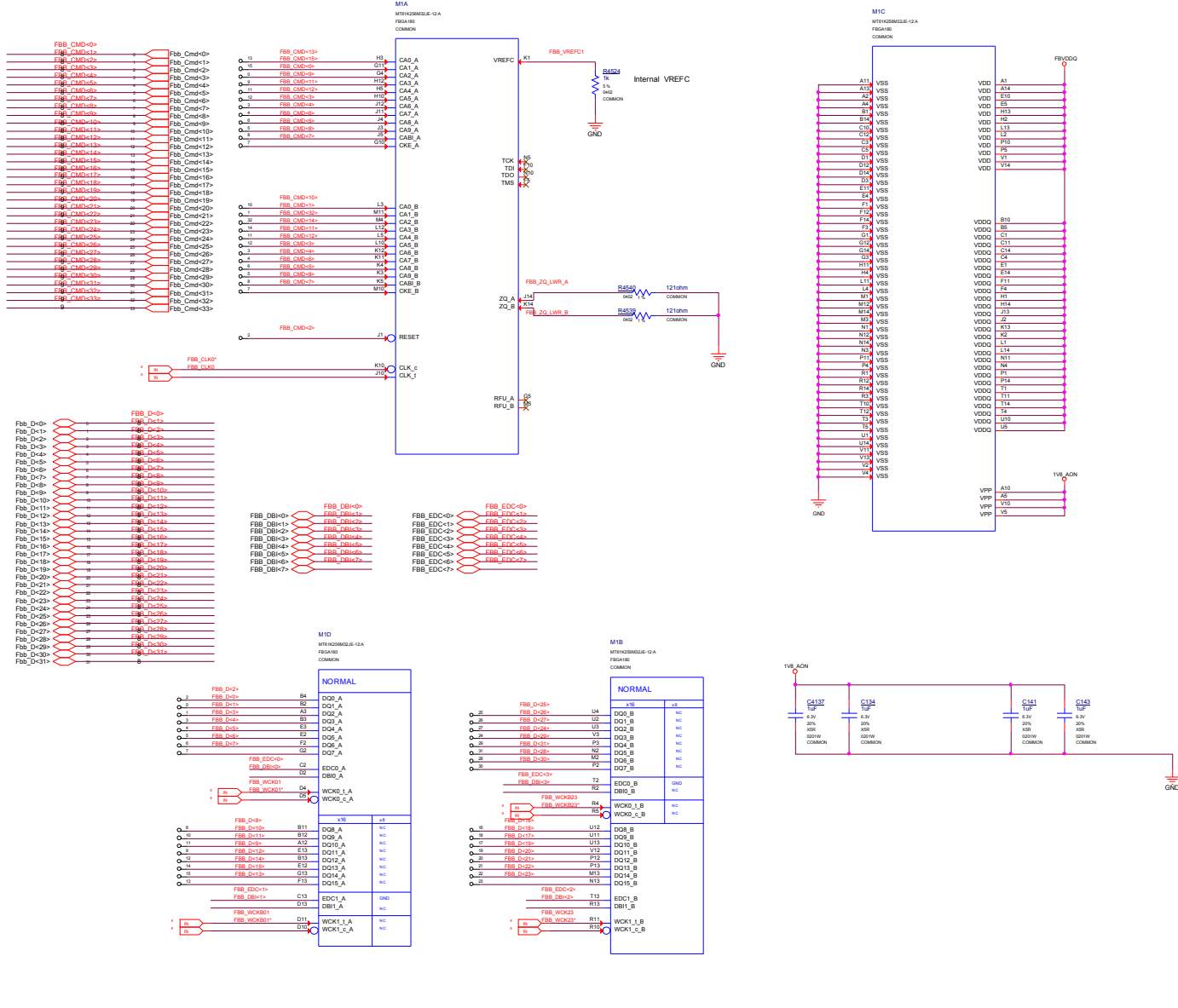
MEMORY: FBA Partition 63..32



ASSEMBLY: MEMORY: FBA[32]  
MEMORY: FBA[32]  
PAGE 6 OF 30  
DATE: 20 FEB 2019

ALL NVIDIA DESIGN SPECIFICATIONS, REFERENCE SPECIFICATIONS, REFERENCE BOARDS, FILES, DRAWINGS, DIAGNOSTICS, LISTS AND OTHER DOCUMENTS (TOGETHER AND SEPARATELY, "MATERIALS") ARE BEING PROVIDED "AS IS" BY NVIDIA. MATERIALS MAY CONTAIN KNOWN AND UNKNOWN VIOLATIONS OR DEVIATIONS OF INDUSTRY STANDARDS AND SPECIFICATIONS. NVIDIA MAKES NO WARRANTIES, EXPRESSED, IMPLIED, STATUTORY OR OTHERWISE, WITH RESPECT TO THE MATERIALS OR OTHERWISE, AND EXPRESSLY DISCLAIMS ALL IMPLIED WARRANTIES INCLUDING, WITHOUT LIMITATION, THE WARRANTIES OF DESIGN, OF NONINFRINGEMENT, MERCHANTABILITY OR FITNESS FOR A PARTICULAR PURPOSE, OR ARISING FROM A COURSE OF DEALING, TRADE USAGE, TRADE PRACTICE, OR INDUSTRY STANDARDS.

# MEMORY: FBB Partition 31.0



ALL NVIDIA DESIGN SPECIFICATIONS, REFERENCE SPECIFICATIONS, REFERENCE BOARDS, FILES, DRAWINGS, DIAGNOSTICS, LISTS AND OTHER DOCUMENTS (TOGETHER AND SEPARATELY, "MATERIALS") ARE BEING PROVIDED "AS IS." THE MATERIALS MAY CONTAIN KNOWN AND UNKNOWN VIOLATIONS OR DEVIATIONS OF INDUSTRY STANDARDS. NVIDIA MAKES NO WARRANTIES, EXPRESSED, IMPLIED, STATUTORY OR OTHERWISE WITH RESPECT TO THE MATERIALS OR OTHERWISE, AND EXPRESSLY DISCLAIMS ALL IMPLIED WARRANTIES INCLUDING, WITHOUT LIMITATION, THE WARRANTIES OF DESIGN, OF NONINFRINGEMENT, MERCHANTABILITY OR FITNESS FOR A PARTICULAR PURPOSE, OR ARISING FROM A COURSE OF DEALING, TRADE USAGE, TRADE PRACTICE, OR INDUSTRY STANDARDS.

MEMORY: FBB Partition 63..32

