

PG411 A01

GP104 - 8GB GDDR5, 256b, 256Mx32 Tall DVI-D + DP + DP + DP/HDMI + DP

TABLE OF CONTENTS

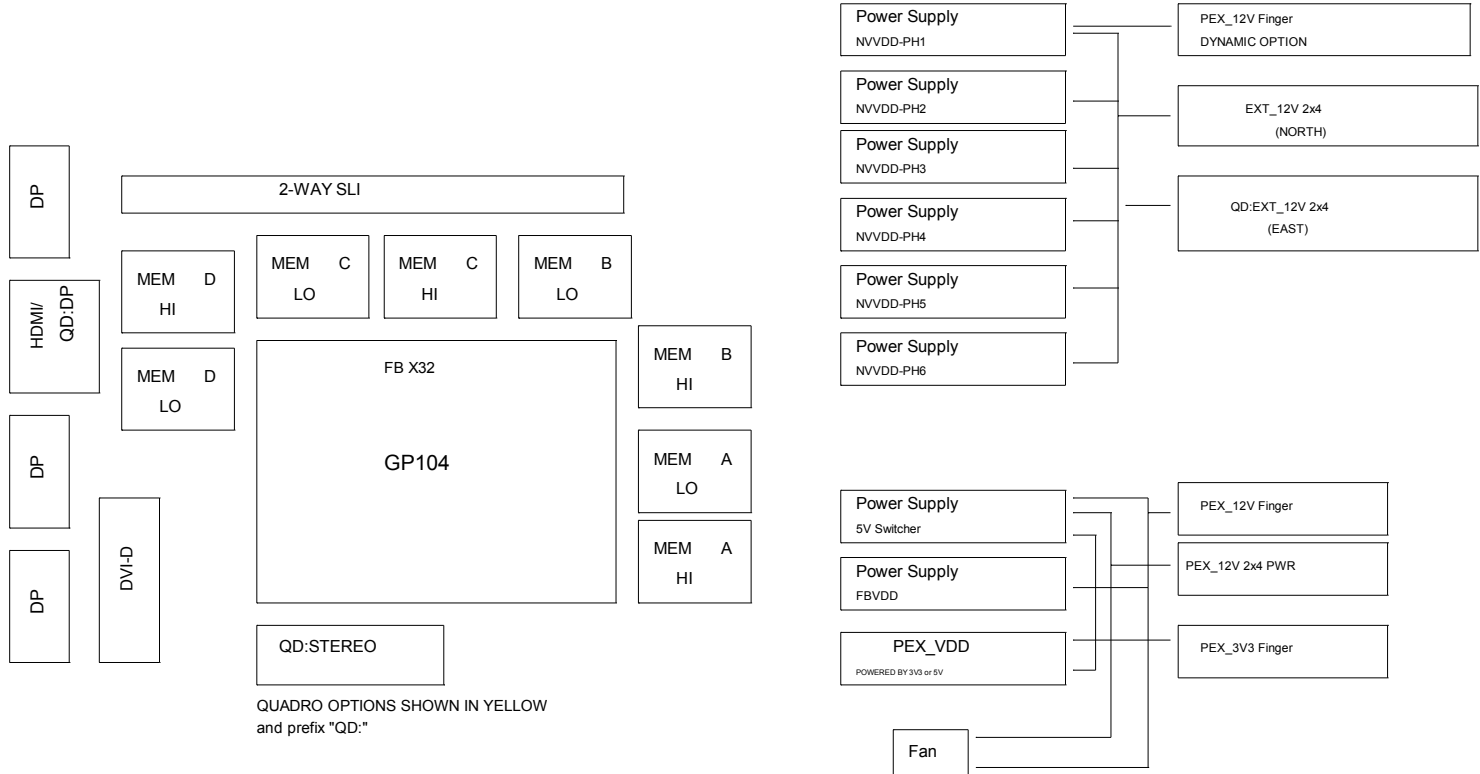
Page	Description
1	Table of Contents
2	Block Diagram
3	PCI Express
4	MEMORY: GPU Partition A/B
5	MEMORY: FBA[31:0]
6	MEMORY: FBA[63:32]
7	MEMORY: FBB[31:0]
8	MEMORY: FBB[63:32]
9	MEMORY: GPU Partition C/D
10	MEMORY: FBC[31:0]
11	MEMORY: FBC[63:32]
12	MEMORY: FBD[31:0]
13	MEMORY: FBD[63:32]
14	GPU PWR and GND
15	GPU Decoupling
16	IFPAB DVI-D-DL
17	IFPE DP
18	IFPEF DP
19	IFPC HDMI 2.0/DP
20	IFPD DP
21	MIOA/B Interface and Frame Lock
22	MISC1: Fan, Thermal, JTAG, GPIO, Stereo
23	MISC2: ROM, XTAL, Straps
24	PS: 1V8, 1V8_AON
25	PS: 5V, PEX_VDD

Page	Description
26	PS: FBVDD
27	PS: NVVDD_OVR8
28	PS: Blank Page
29	PS: NVVDD Phase 1-4
30	PS: NVVDD Phase 5 & 6
31	PS: Blank Page
32	PS: Dynamic Power Balance Phases
33	PS: Dynamic Power Balance Logic
34	PS: NV3V3, NV12V
35	PS: Inputs, Filtering, and Monitoring
36	PS: Shutdown and Sequencing
37	PS: 12V Current Steering PSI Control and LED
38	MECH: Bracket/Thermal

ALL NVIDIA DESIGN SPECIFICATIONS, REFERENCE SPECIFICATIONS, REFERENCE BOARDS, FILES, DRAWINGS, DIAGNOSTIC LISTS AND OTHER DOCUMENTS (TOGETHER AND SEPARATELY, "MATERIALS") ARE BEING PROVIDED AS IS. THE MATERIALS MAY CONTAIN KNOWN AND UNKNOWN VIOLATIONS OR DEVIATIONS OF INDUSTRY STANDARDS AND SPECIFICATIONS. NVIDIA MAKES NO WARRANTIES, EXPRESSED, IMPLIED, STATUTORY OR OTHERWISE WITH RESPECT TO THE MATERIALS OR OTHERWISE, AND EXPRESSLY DISCLAIMS ALL IMPLIED WARRANTIES INCLUDING, WITHOUT LIMITATION, THE WARRANTIES OF DESIGN, OF NONINFRINGEMENT, MERCHANTABILITY OR FITNESS FOR A PARTICULAR PURPOSE, OR ARISING FROM A COURSE OF DEALING, TRADE USAGE, TRADE PRACTICE, OR INDUSTRY STANDARDS.

ASSEMBLY PAGE DETAIL: Table of Contents

GIGABYTE		
Table of Contents		
Doc GV-N1060G1	Document Number GV-N1060G1 GAMING-3GD	Rev 1.0
Date Tuesday, Aug 18, 2015	Sheet 1	of 32

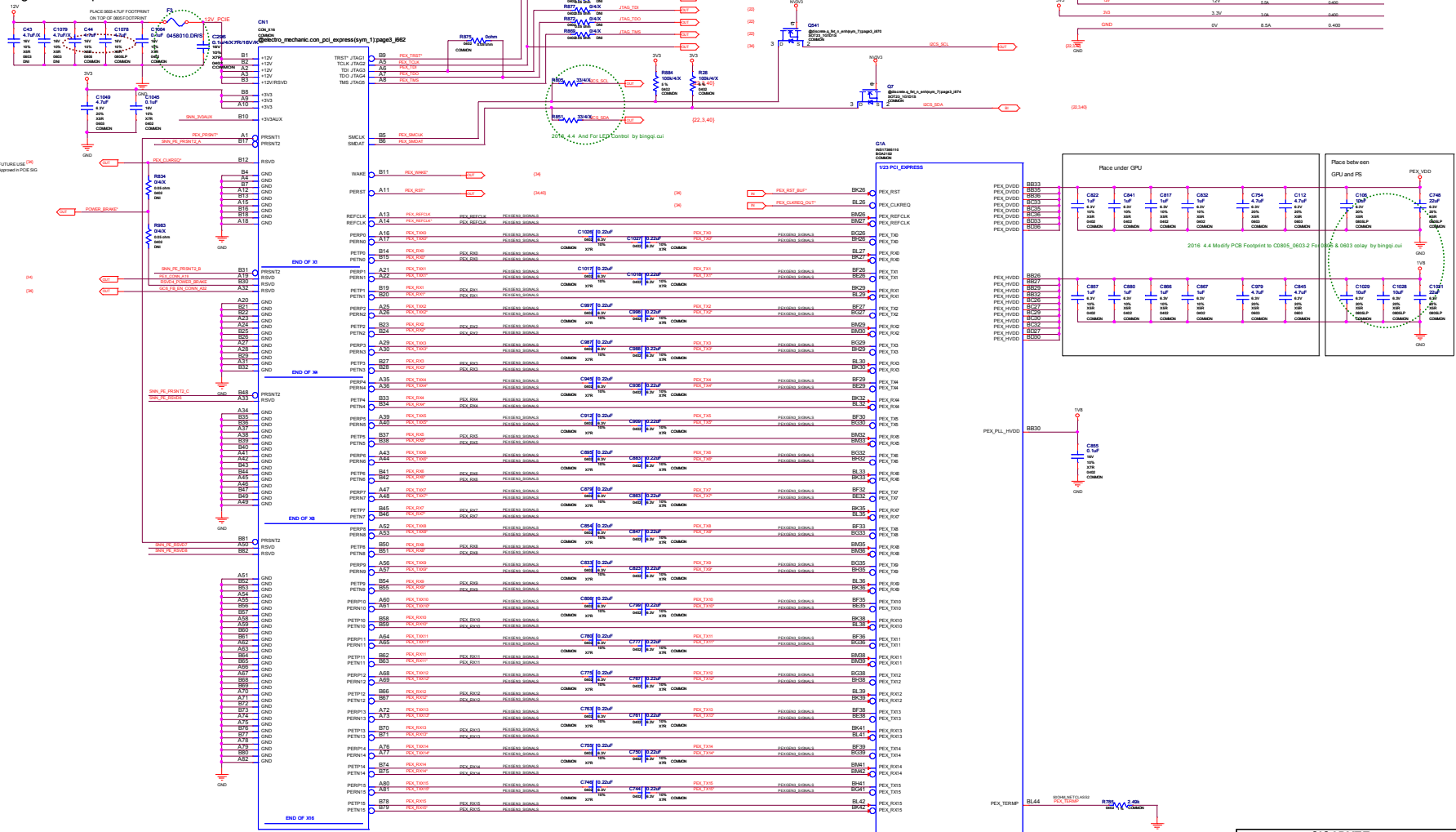


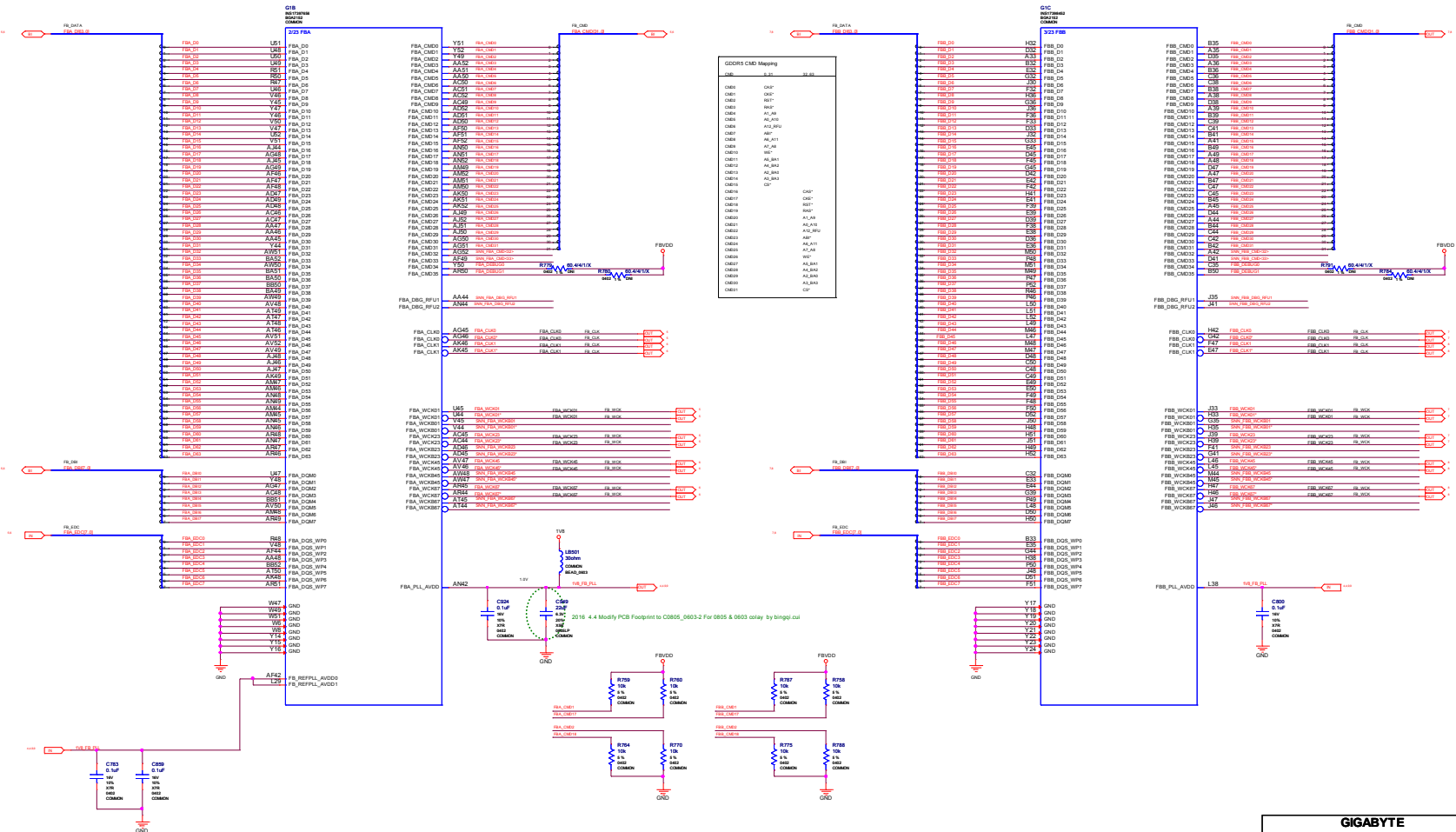
QUADRO OPTIONS SHOWN IN YELLOW
and prefix "QD:"

ALL NVIDIA DESIGN SPECIFICATIONS, REFERENCE SPECIFICATIONS, REFERENCE BOARDS, FILES, DRAWINGS, DIAGNOSTICS, LISTS AND OTHER DOCUMENTS OR INFORMATION (TOGETHER AND SEPARATELY, "MATERIALS") ARE BEING PROVIDED "AS IS". THE MATERIALS MAY CONTAIN KNOWN AND UNKNOWN VIOLATIONS OR DEVIATIONS OF INDUSTRY STANDARDS AND SPECIFICATIONS. NVIDIA MAKES NO WARRANTIES, EXPRESSED, IMPLIED, STATUTORY OR OTHERWISE WITH RESPECT TO THE MATERIALS OR OTHERWISE, AND EXPRESSLY DISCLAIMS ALL IMPLIED WARRANTIES INCLUDING, WITHOUT LIMITATION, THE WARRANTIES OF DESIGN, OF NONINFRINGEMENT, MERCHANTABILITY OR FITNESS FOR A PARTICULAR PURPOSE, OR ARISING FROM A COURSE OF DEALING, TRADE USAGE, TRADE PRACTICE, OR INDUSTRY STANDARDS.

ASSEMBLY PAGE DETAIL
-ASSEMBLY_DESCRIPTION-
Block Diagram

GIGABYTE		
Block Diagram		
Doc Date	Document Number GV-N1060G1 GAMING-3GD	Rev 1.0
Date: Tuesday, Aug 18, 2015 Page: 2 of 32		





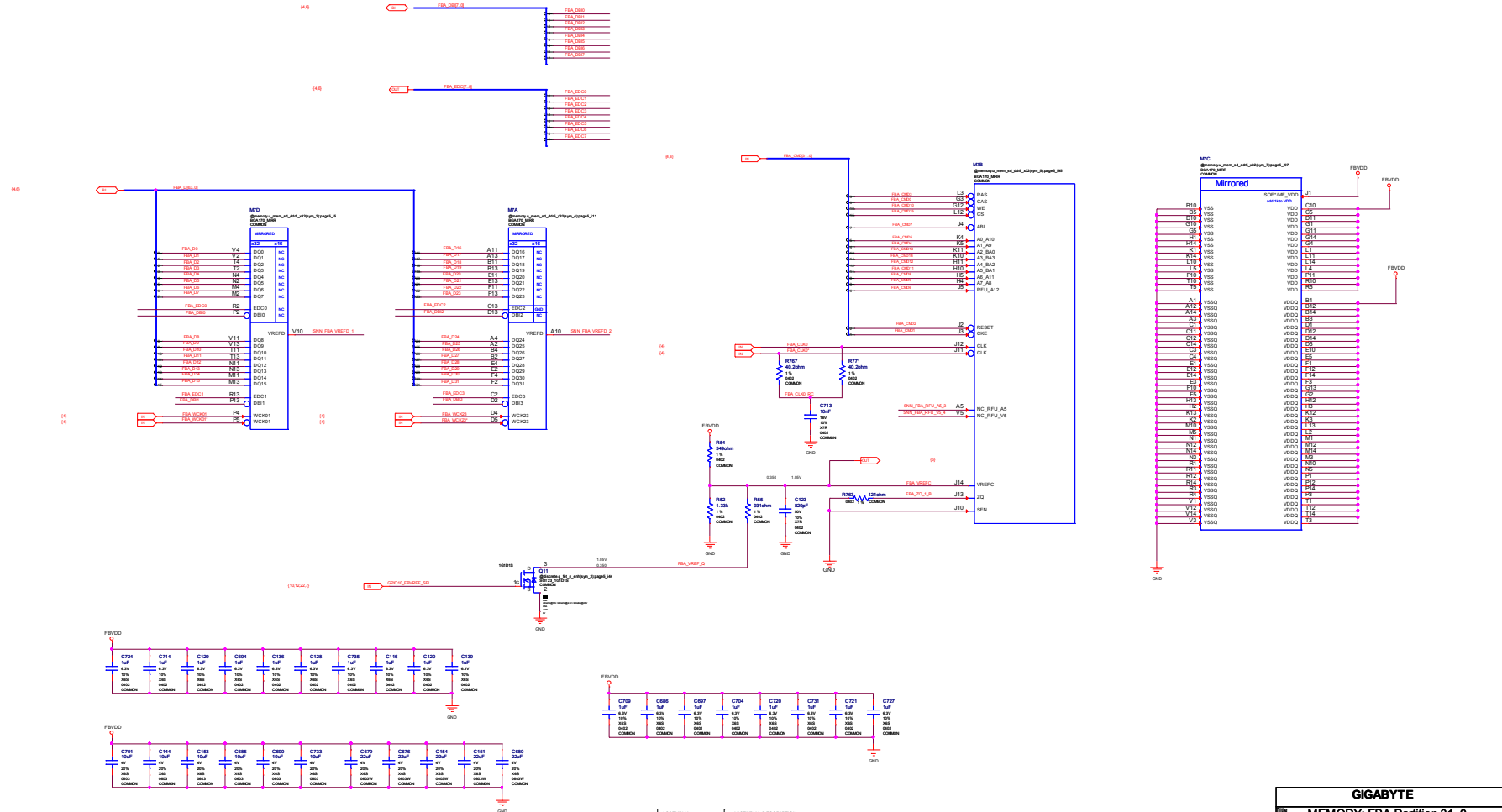
GIGABYTE

Doc No: **GPU Partition A/B**

Doc Number: **GV-N1060G1 GAMING-3GD**

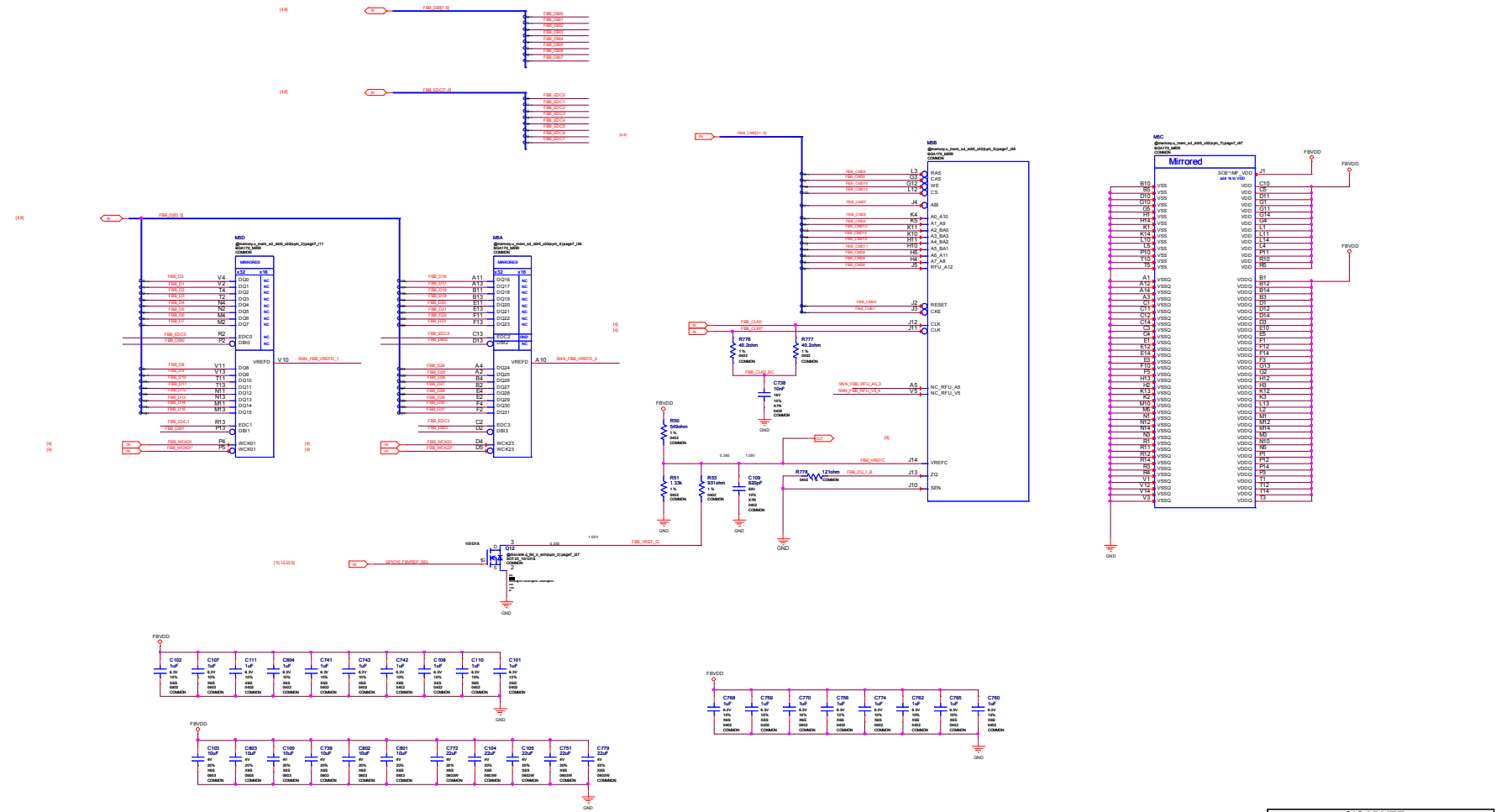
Rev: **1.0**

Date: **Tuesday, Aug 18, 2015** Page: **4** of **42**



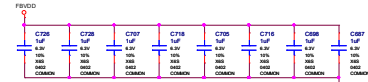
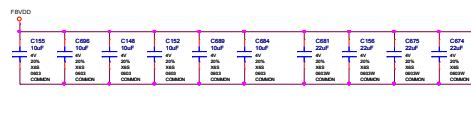
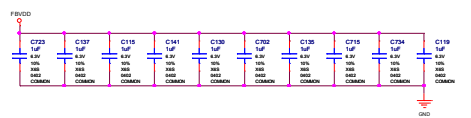
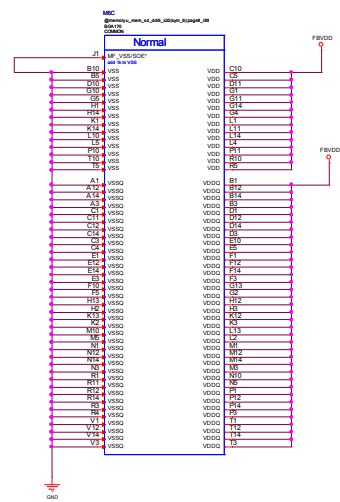
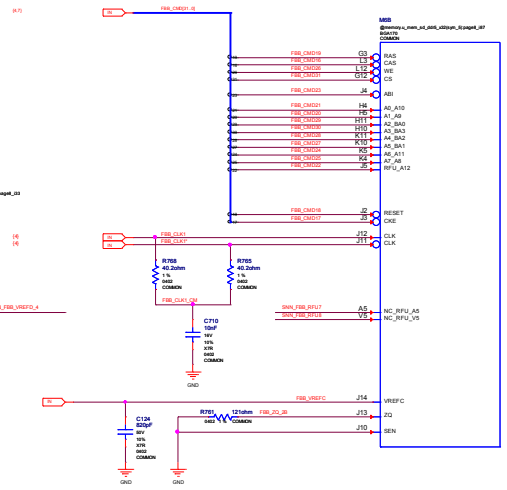
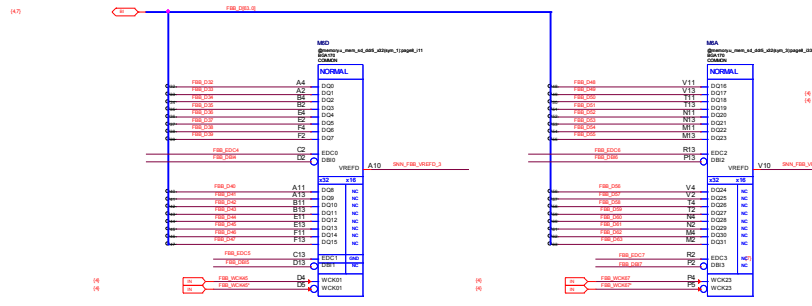
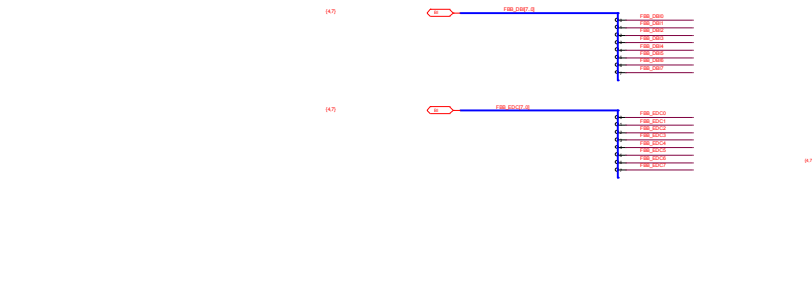
GIGABYTE		
MEMORY: FBA Partition 31..0		
Doc No	Document Number	Rev
	GV-N1060G1 GAMING-3GD	1.0
Date	Released	Page
2016.02.18	2016.02.18	5 of 32

ALL NVIDIA DESIGN SPECIFICATIONS, REFERENCE BOARDS, FILES, DRAWINGS, DIAGNOSTIC LISTS AND OTHER DOCUMENTS (TOGETHER AND SEPARATELY, "MATERIALS") ARE BEING PROVIDED "AS IS". THE MATERIALS MAY CONTAIN KNOWN AND UNKNOWN VIOLATIONS OR DEVIATIONS OF INDUSTRY STANDARDS AND SPECIFICATIONS. NVIDIA MAKES NO WARRANTIES, EXPRESSED, IMPLIED, STATUTORY OR OTHERWISE WITH RESPECT TO THE MATERIALS AND EXPRESSLY DISCLAIMS ALL IMPLIED WARRANTIES INCLUDING, WITHOUT LIMITATION, THE WARRANTIES OF DESIGN, OR NONINFRINGEMENT, MERCHANTABILITY OR FITNESS FOR A PARTICULAR PURPOSE, OR ARISING FROM A COURSE OF DEALING, TRADE USAGE, TRADE PRACTICE, OR INDUSTRY STANDARDS.



ALL NVIDIA DESIGN SPECIFICATIONS, REFERENCE BOARDS, FILES, DRAWINGS, DIAGNOSTIC LISTS AND OTHER DOCUMENTS (TOGETHER AND SEPARATELY, "MATERIALS") ARE BEING PROVIDED AS IS. THE MATERIALS MAY CONTAIN KNOWN AND UNKNOWN DEFICIENCIES OR DEVIATIONS OF INDUSTRY STANDARDS AND SPECIFICATIONS. NVIDIA MAKES NO WARRANTIES, EXPRESSED, IMPLIED, STATUTORY OR OTHERWISE WITH RESPECT TO THE MATERIALS AND EXPRESSLY DISCLAIMS ALL IMPLIED WARRANTIES INCLUDING, WITHOUT LIMITATION, THE WARRANTIES OF DESIGN, OF MERCHANTABILITY OR FITNESS FOR A PARTICULAR PURPOSE, OR ARISING FROM A COURSE OF DEALING, TRADE USAGE, TRADE PRACTICE, OR INDUSTRY STANDARDS.

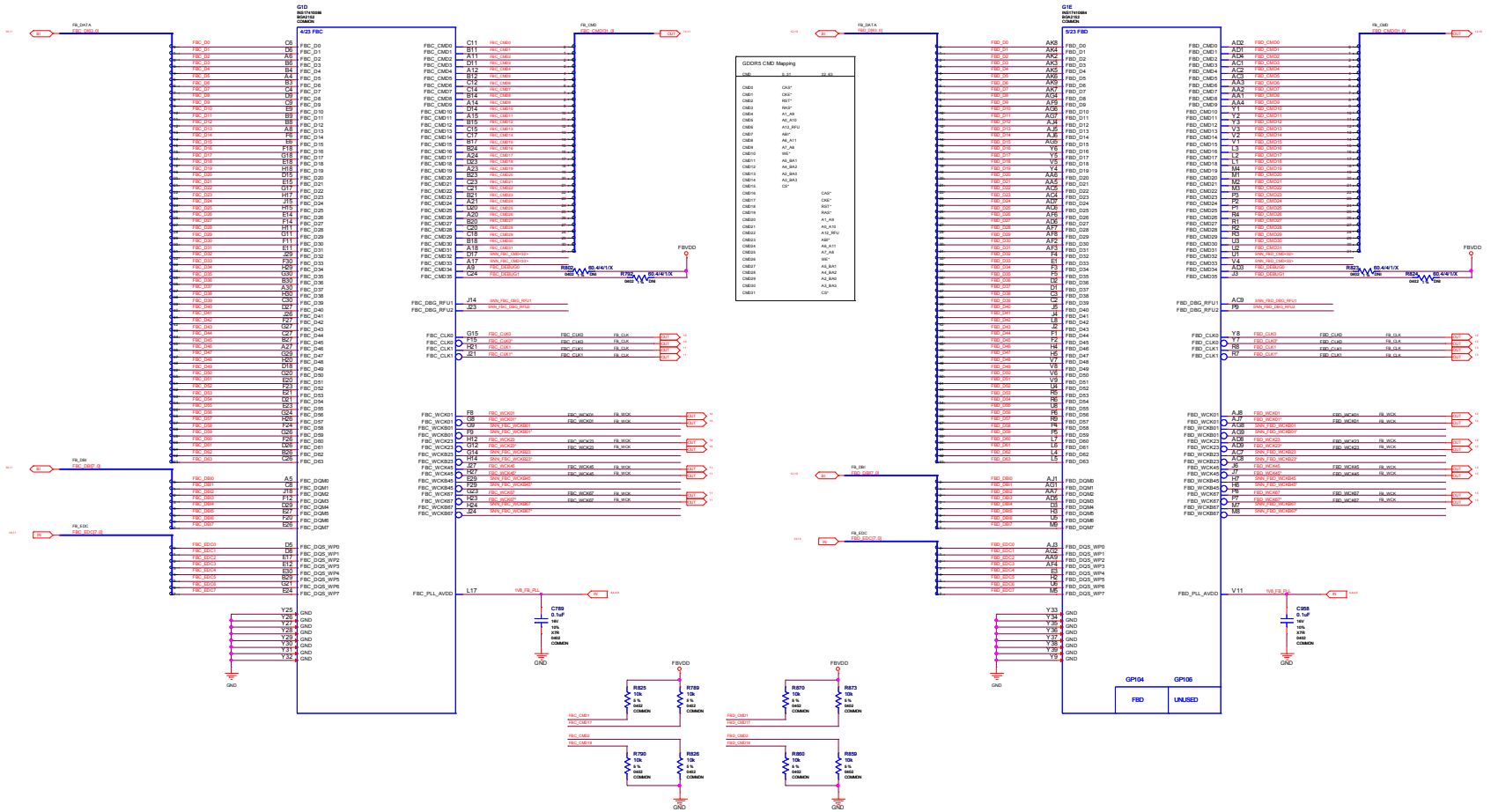
GIGABYTE		
MEMORY: FBB Partition 31..0		
Doc No	Document Number	Rev
	GV-N1060G1 GAMING-3GD	1.0
Date	Issue	Page
2018.09.18	1	32



ALL NVIDIA DESIGN SPECIFICATIONS, REFERENCE BOARDS, FILES, DRAWINGS, DIAGNOSTIC LISTS AND OTHER DOCUMENTS (TOGETHER AND SEPARATELY, "MATERIALS") ARE BEING PROVIDED AS IS. THE MATERIALS MAY CONTAIN KNOWN AND UNKNOWN VIOLATIONS OR DEVIATIONS OF INDUSTRY STANDARDS AND SPECIFICATIONS. NVIDIA MAKES NO WARRANTIES, EXPRESSED, IMPLIED, STATUTORY OR OTHERWISE WITH RESPECT TO THE MATERIALS OR OTHERWISE, AND EXPRESSLY DISCLAIMS ALL IMPLIED WARRANTIES INCLUDING, WITHOUT LIMITATION, THE WARRANTIES OF DESIGN, OF NONINFRINGEMENT, MERCHANTABILITY OR FITNESS FOR A PARTICULAR PURPOSE, OR ARISING FROM A COURSE OF DEALING, TRADE USAGE, TRADE PRACTICE, OR INDUSTRY STANDARDS.

ASSEMBLY PAGE DETAIL
 ASSEMBLY_DESCRIPTION MEMORY: FBB(2)32

GIGABYTE		
Part Number	MEMORY: FBB Partition 63..32	
Document Number	GV-N1060G1 GAMING-3GD	
Rev	1.0	
Date	Tuesday, Aug 19, 2016	Sheet 8 of 82



GDORS CMD	MEM	MEM
GMP	0x1	0x1
GMP2	0x2	0x2
GMP3	0x3	0x3
GMP4	0x4	0x4
GMP5	0x5	0x5
GMP6	0x6	0x6
GMP7	0x7	0x7
GMP8	0x8	0x8
GMP9	0x9	0x9
GMP10	0xA	0xA
GMP11	0xB	0xB
GMP12	0xC	0xC
GMP13	0xD	0xD
GMP14	0xE	0xE
GMP15	0xF	0xF
GMP16	0x10	0x10
GMP17	0x11	0x11
GMP18	0x12	0x12
GMP19	0x13	0x13
GMP20	0x14	0x14
GMP21	0x15	0x15
GMP22	0x16	0x16
GMP23	0x17	0x17
GMP24	0x18	0x18
GMP25	0x19	0x19
GMP26	0x1A	0x1A
GMP27	0x1B	0x1B
GMP28	0x1C	0x1C
GMP29	0x1D	0x1D
GMP30	0x1E	0x1E
GMP31	0x1F	0x1F
GMP32	0x20	0x20
GMP33	0x21	0x21
GMP34	0x22	0x22
GMP35	0x23	0x23
GMP36	0x24	0x24
GMP37	0x25	0x25
GMP38	0x26	0x26
GMP39	0x27	0x27
GMP40	0x28	0x28
GMP41	0x29	0x29
GMP42	0x2A	0x2A
GMP43	0x2B	0x2B
GMP44	0x2C	0x2C
GMP45	0x2D	0x2D
GMP46	0x2E	0x2E
GMP47	0x2F	0x2F
GMP48	0x30	0x30
GMP49	0x31	0x31
GMP50	0x32	0x32
GMP51	0x33	0x33
GMP52	0x34	0x34
GMP53	0x35	0x35
GMP54	0x36	0x36
GMP55	0x37	0x37
GMP56	0x38	0x38
GMP57	0x39	0x39
GMP58	0x3A	0x3A
GMP59	0x3B	0x3B
GMP60	0x3C	0x3C
GMP61	0x3D	0x3D
GMP62	0x3E	0x3E
GMP63	0x3F	0x3F
GMP64	0x40	0x40
GMP65	0x41	0x41
GMP66	0x42	0x42
GMP67	0x43	0x43
GMP68	0x44	0x44
GMP69	0x45	0x45
GMP70	0x46	0x46
GMP71	0x47	0x47
GMP72	0x48	0x48
GMP73	0x49	0x49
GMP74	0x4A	0x4A
GMP75	0x4B	0x4B
GMP76	0x4C	0x4C
GMP77	0x4D	0x4D
GMP78	0x4E	0x4E
GMP79	0x4F	0x4F
GMP80	0x50	0x50
GMP81	0x51	0x51
GMP82	0x52	0x52
GMP83	0x53	0x53
GMP84	0x54	0x54
GMP85	0x55	0x55
GMP86	0x56	0x56
GMP87	0x57	0x57
GMP88	0x58	0x58
GMP89	0x59	0x59
GMP90	0x5A	0x5A
GMP91	0x5B	0x5B
GMP92	0x5C	0x5C
GMP93	0x5D	0x5D
GMP94	0x5E	0x5E
GMP95	0x5F	0x5F
GMP96	0x60	0x60
GMP97	0x61	0x61
GMP98	0x62	0x62
GMP99	0x63	0x63
GMP100	0x64	0x64

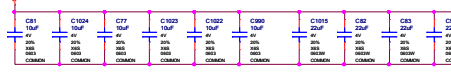
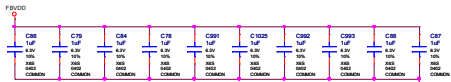
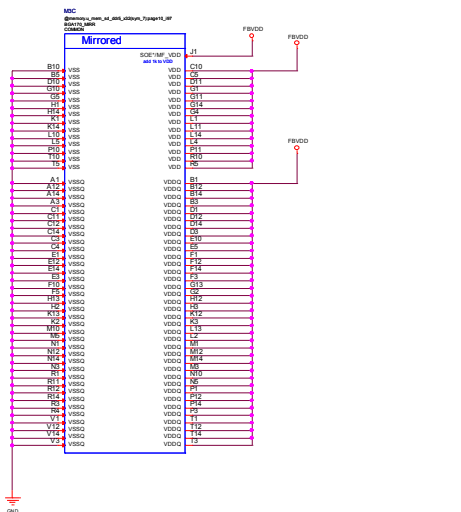
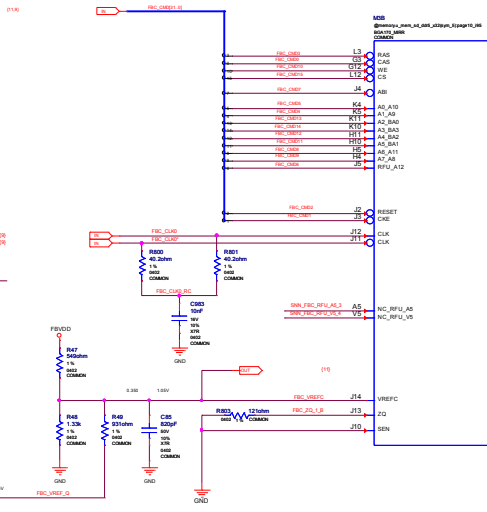
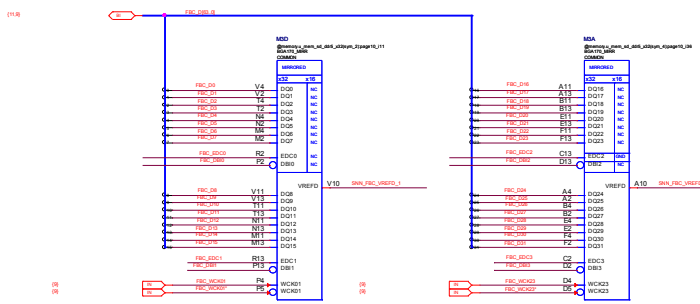
GIGABYTE

GPU Partition C/D

Doc Number: **GV-N1060G1 GAMING-3GD**

Rev: **1.0**

Date: **Tuesday, July 18, 2017** Page: **9** of **92**



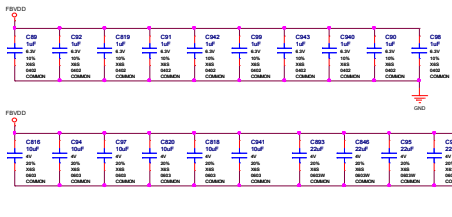
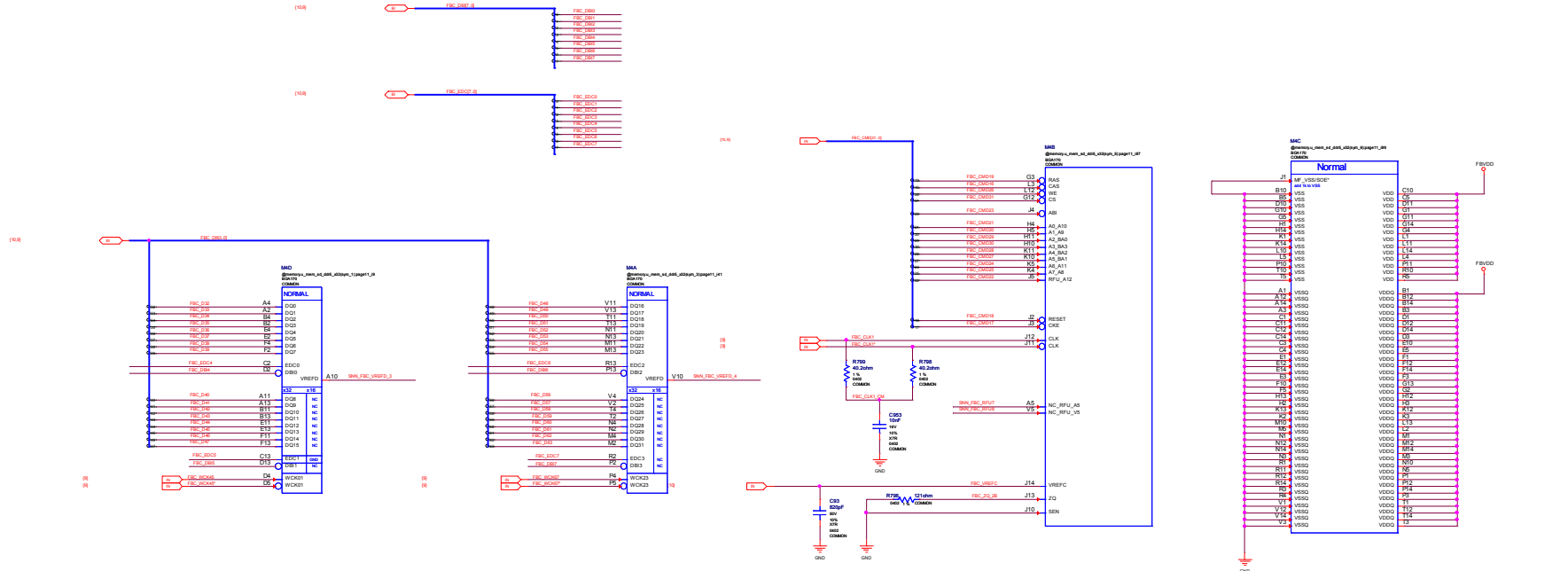
GIGABYTE

MEMORY: FBC Partition 31..0

Doc No.	Document Number	Rev	
	GV-N1060G1 GAMING-3GD	1.0	
Date	Released	30	of 32
Date: Tuesday, Aug 18, 2015 Sheet: 30 of 32			

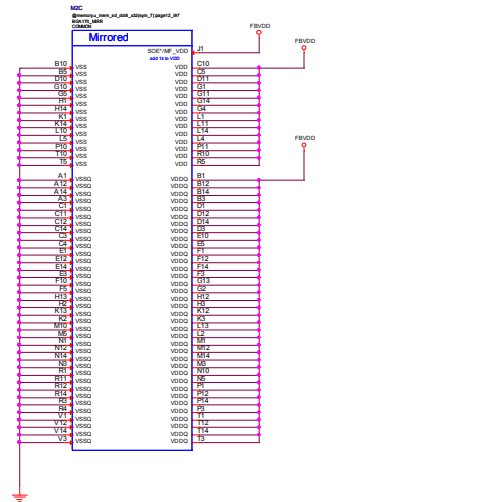
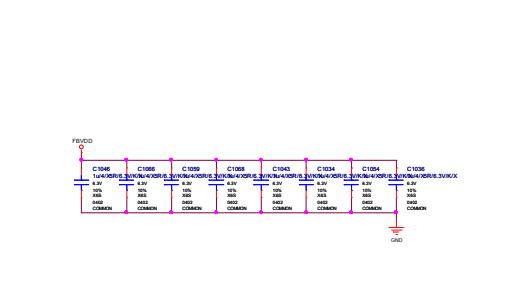
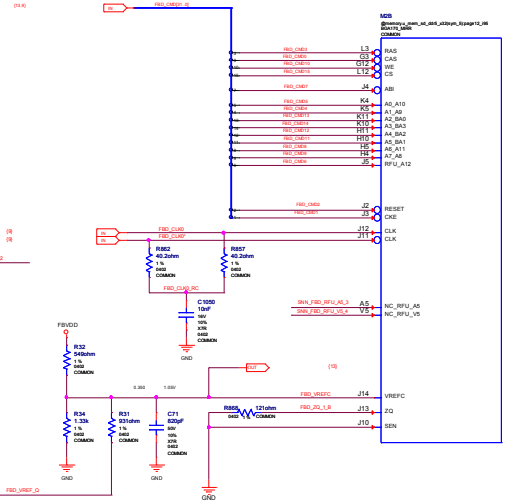
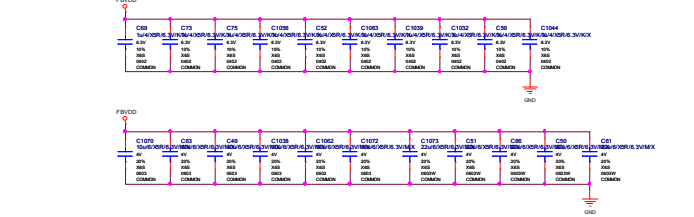
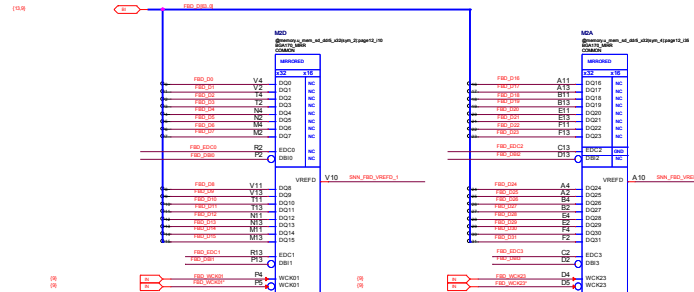
ALL NVIDIA DESIGN SPECIFICATIONS, REFERENCE BOARDS, FILES, DRAWINGS, DIAGNOSTIC LISTS AND OTHER DOCUMENTS (TOGETHER AND SEPARATELY, "MATERIALS") ARE BEING PROVIDED "AS IS". THE MATERIALS MAY CONTAIN KNOWN AND UNKNOWN VIOLATIONS OR DEVIATIONS OF INDUSTRY STANDARDS AND SPECIFICATIONS. NVIDIA MAKES NO WARRANTIES, EXPRESSED, IMPLIED, STATUTORY OR OTHERWISE WITH RESPECT TO THE MATERIALS OR OTHERWISE, AND EXPRESSLY DISCLAIMS ALL IMPLIED WARRANTIES INCLUDING, WITHOUT LIMITATION, THE WARRANTIES OF DESIGN, OF MERCHANTABILITY OR FITNESS FOR A PARTICULAR PURPOSE, OR ARISING FROM A COURSE OF DEALING, TRADE USAGE, TRADE PRACTICE, OR INDUSTRY STANDARDS.

ASSEMBLY PAGE DETAIL
 ASSEMBLY DESCRIPTION: MEMORY: FBC3102



ASSEMBLY PAGE DETAIL
 -ASSEMBLY_DESCRIPTION-
 MEMORY: FBC(D32)

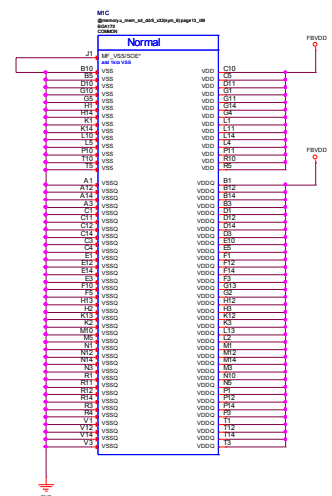
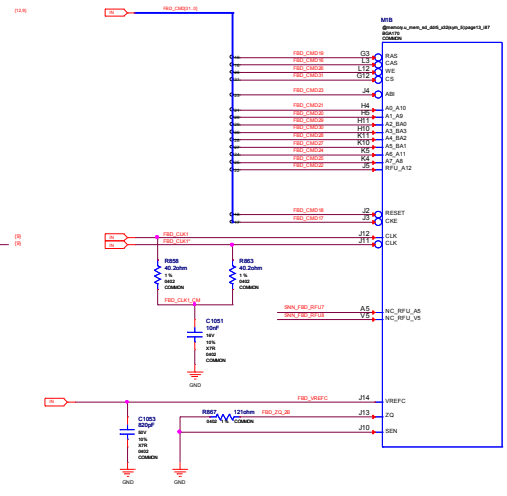
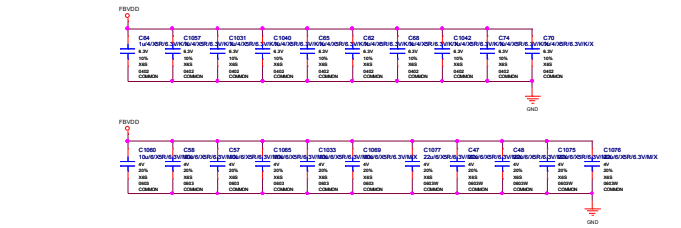
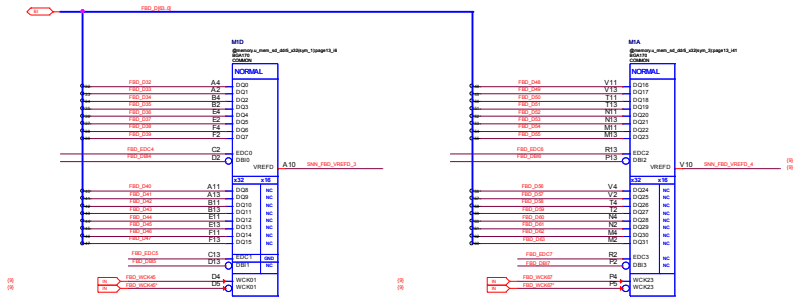
GIGABYTE		
MEMORY: FBC Partition 63..32		
Doc No	Document Number	Rev
	GV-N1060G1 GAMING-3GD	1.0
Doc Status		
Date	Issued: Aug 18, 2016	Sheet 11 of 32



GIGABYTE

MEMORY: FBD Partition 31..0

Doc No.	Document Number	Rev
	GV-N1060G1 GAMING-3GD	1.0
Date Custom	Date	Sheet
	1/26/2016	32 of 32



C1000	C1001	C1002	C1003	C1004	C1005	C1006	C1007	C1008	C1009	C1010	C1011	C1012	C1013	C1014	C1015	C1016	C1017
10µF	10µF	10µF	10µF	10µF	10µF	10µF	4.7µF	4.7µF	4.7µF	4.7µF	4.7µF	4.7µF	4.7µF	4.7µF	4.7µF	4.7µF	4.7µF
VREFQ	VREFQ	VREFQ	VREFQ	VREFQ	VREFQ	VREFQ	VREFQ	VREFQ	VREFQ	VREFQ	VREFQ	VREFQ	VREFQ	VREFQ	VREFQ	VREFQ	VREFQ
COMMON	COMMON	COMMON	COMMON	COMMON	COMMON	COMMON	COMMON	COMMON	COMMON	COMMON	COMMON	COMMON	COMMON	COMMON	COMMON	COMMON	COMMON

C1007	C1008	C1009	C1010	C1011	C1012	C1013	C1014	C1015	C1016	C1017
4.7µF	4.7µF	4.7µF	4.7µF	4.7µF	4.7µF	4.7µF	4.7µF	4.7µF	4.7µF	4.7µF
VREFQ	VREFQ	VREFQ	VREFQ	VREFQ	VREFQ	VREFQ	VREFQ	VREFQ	VREFQ	VREFQ
COMMON	COMMON	COMMON	COMMON	COMMON	COMMON	COMMON	COMMON	COMMON	COMMON	COMMON

GIGABYTE

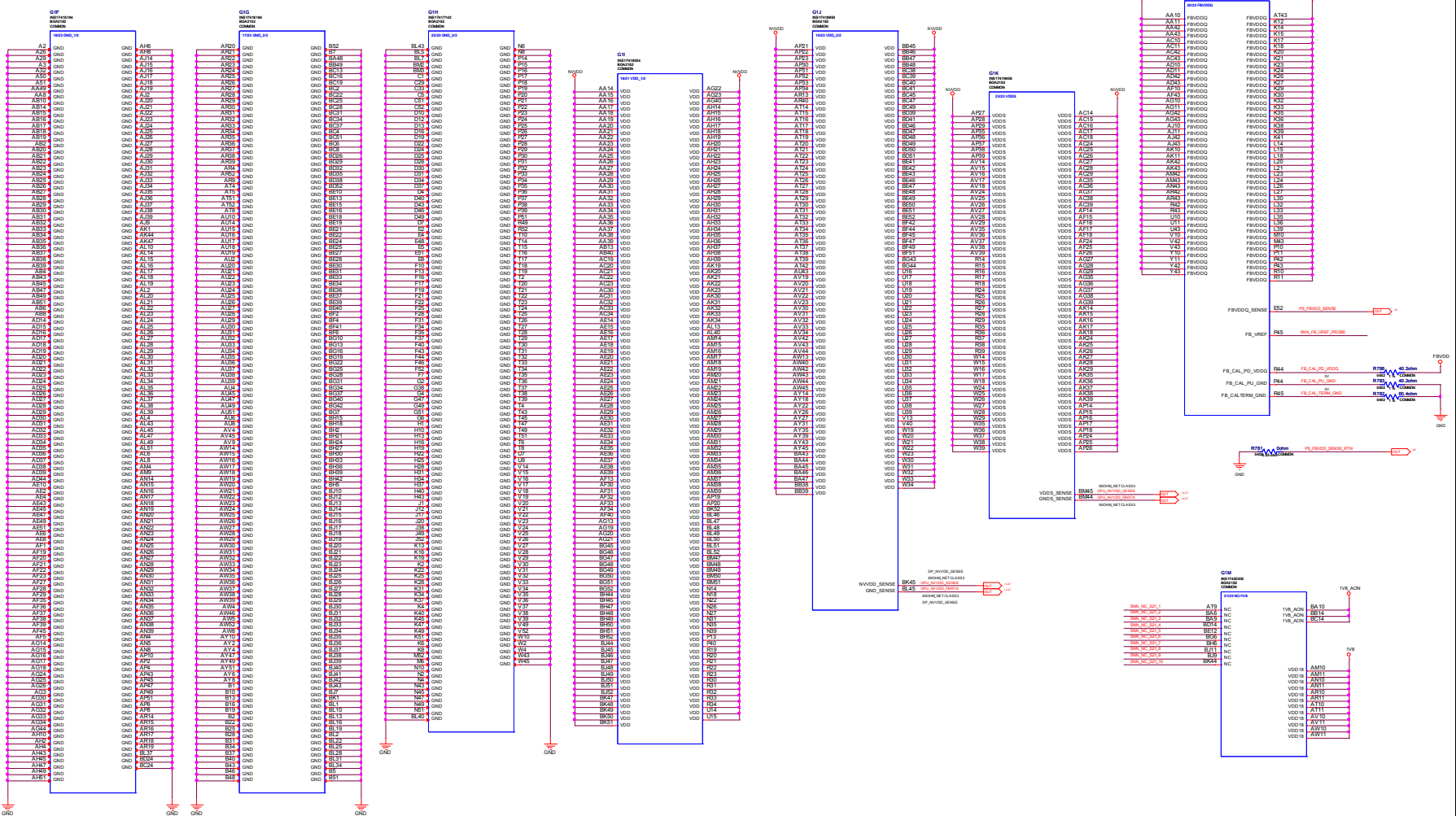
Doc No: **MEMORY: FBD Partition 63..32**

Doc Name: **GV-N1060G1 GAMING-3GD**

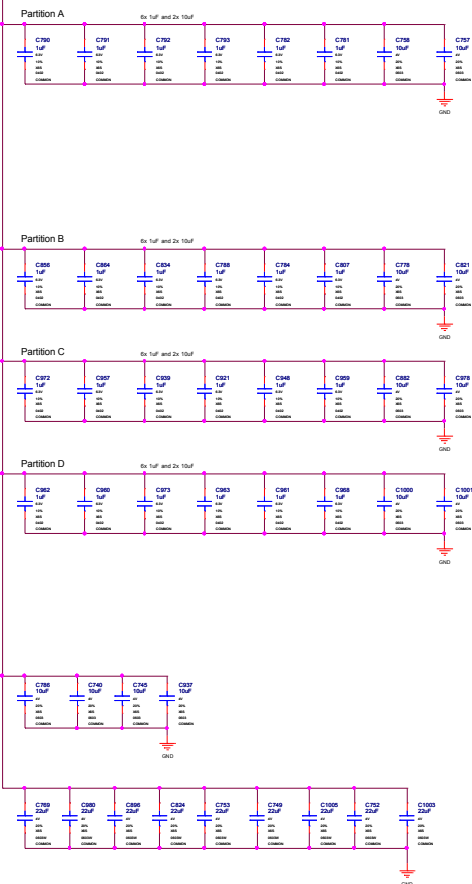
Rev: **1.0**

Date: **1/26/2016**

Page: **31** of **42**



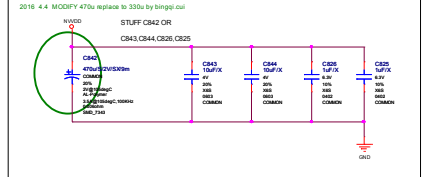
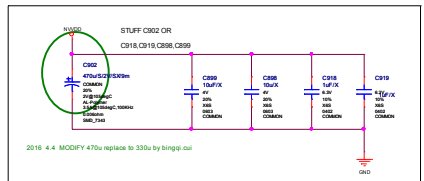
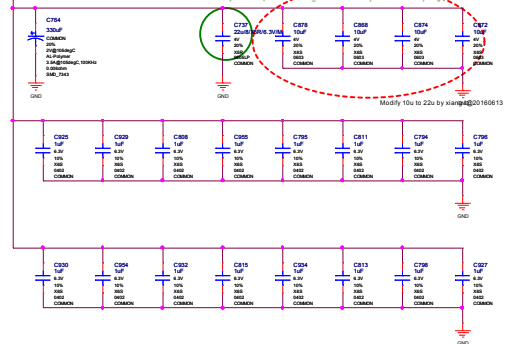
FBVDD



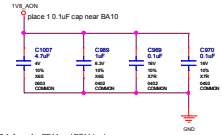
NVVDD



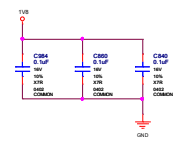
NVVDD



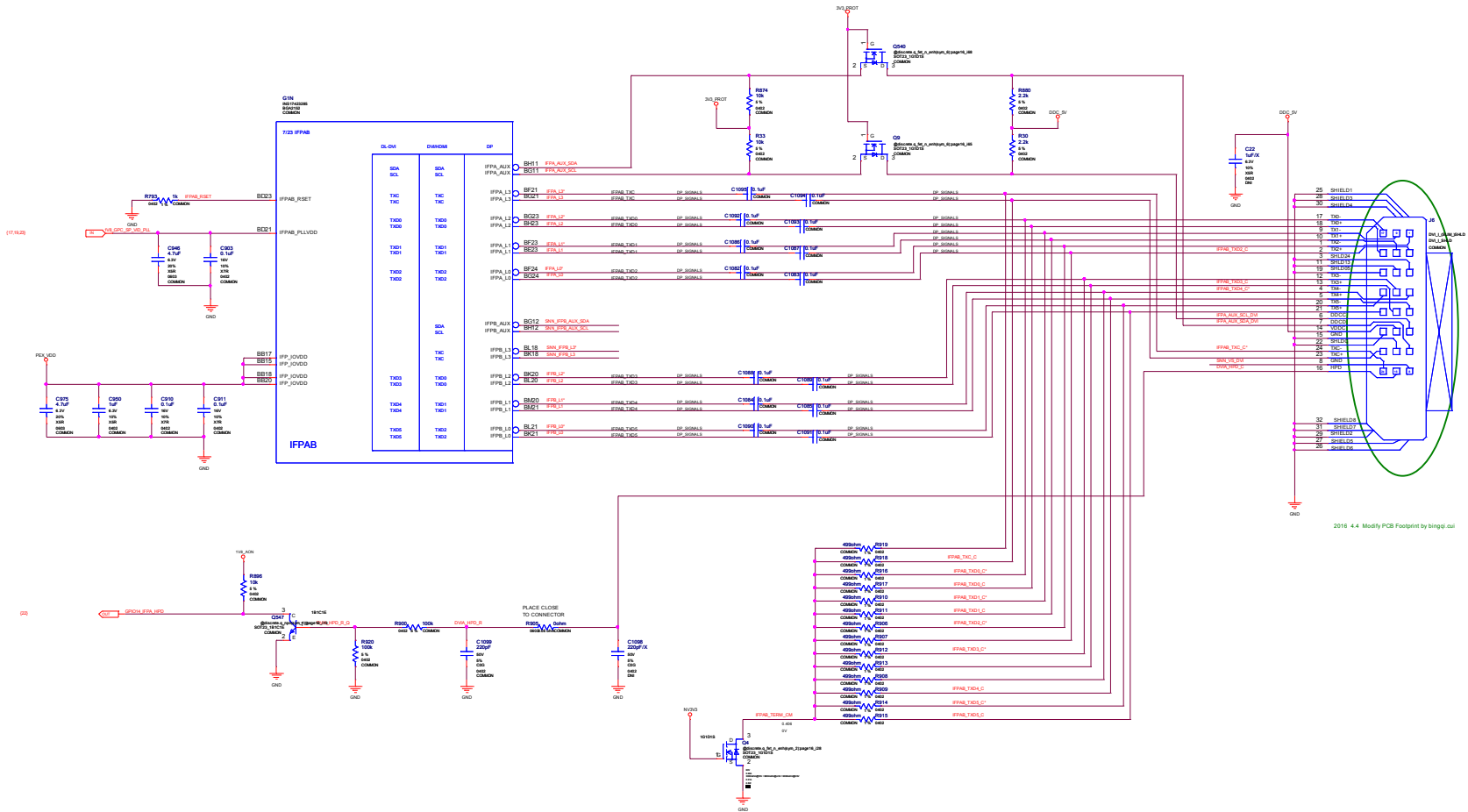
1V8_AON



VDD18



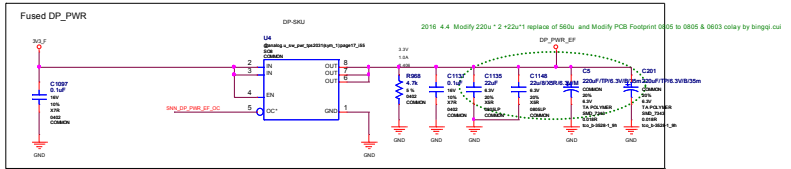
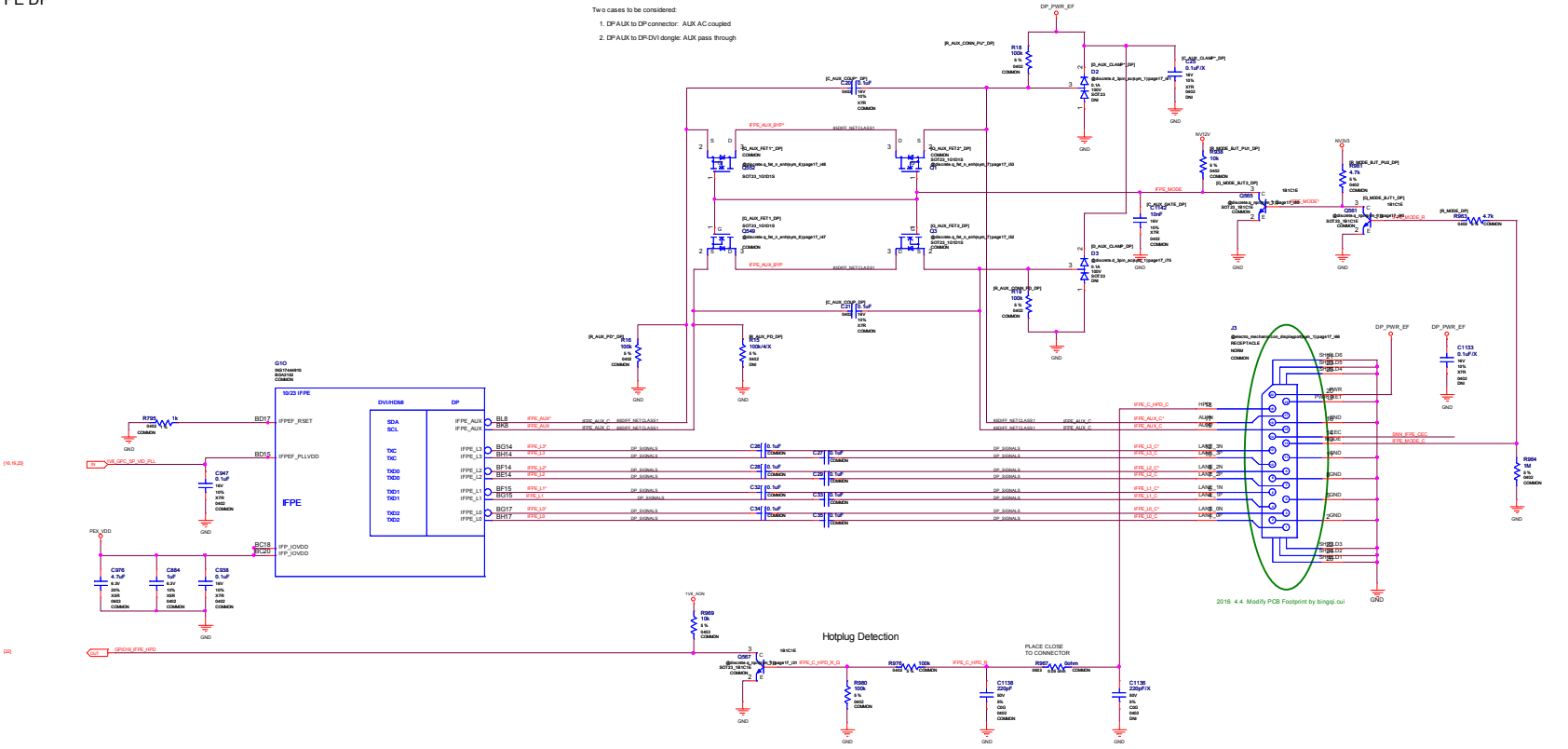
ALL NVIDIA DESIGN SPECIFICATIONS, REFERENCE BOARDS, FILES, DRAWINGS, DIAGNOSTICS, LISTS AND OTHER DOCUMENTS (TOGETHER AND SEPARATELY, "MATERIALS") ARE BEING PROVIDED "AS IS". THE MATERIALS MAY CONTAIN KNOWN AND UNKNOWN VIOLATIONS OR DEVIATIONS OF INDUSTRY STANDARDS AND SPECIFICATIONS. NVIDIA MAKES NO WARRANTIES, EXPRESSED, IMPLIED, STATUTORY OR OTHERWISE WITH RESPECT TO THE MATERIALS OR OTHERWISE, AND EXPRESSLY DISCLAIMS ALL IMPLIED WARRANTIES INCLUDING, WITHOUT LIMITATION, THE WARRANTIES OF DESIGN, OF NON-INFRINGEMENT, MERCHANTABILITY OR FITNESS FOR A PARTICULAR PURPOSE, OR ARISING FROM A COURSE OF DEALING, TRADE USAGE, TRADE PRACTICE, OR INDUSTRY STANDARDS.



2014 4.4 Modify PCB Footprint by bingqi.gui

GIGABYTE		
Part Number	IFPAB DVI-D-DL	
Doc Number	GV-N1060G1 GAMING-3GD	
Rev	1.0	
Date	Tuesday, July 19, 2016	
Sheet	36 of 42	

- Two cases to be considered:
1. DP AUX to DP connector: AUX AC coupled
 2. DP AUX to DP-DVI dongle: AUX pass through

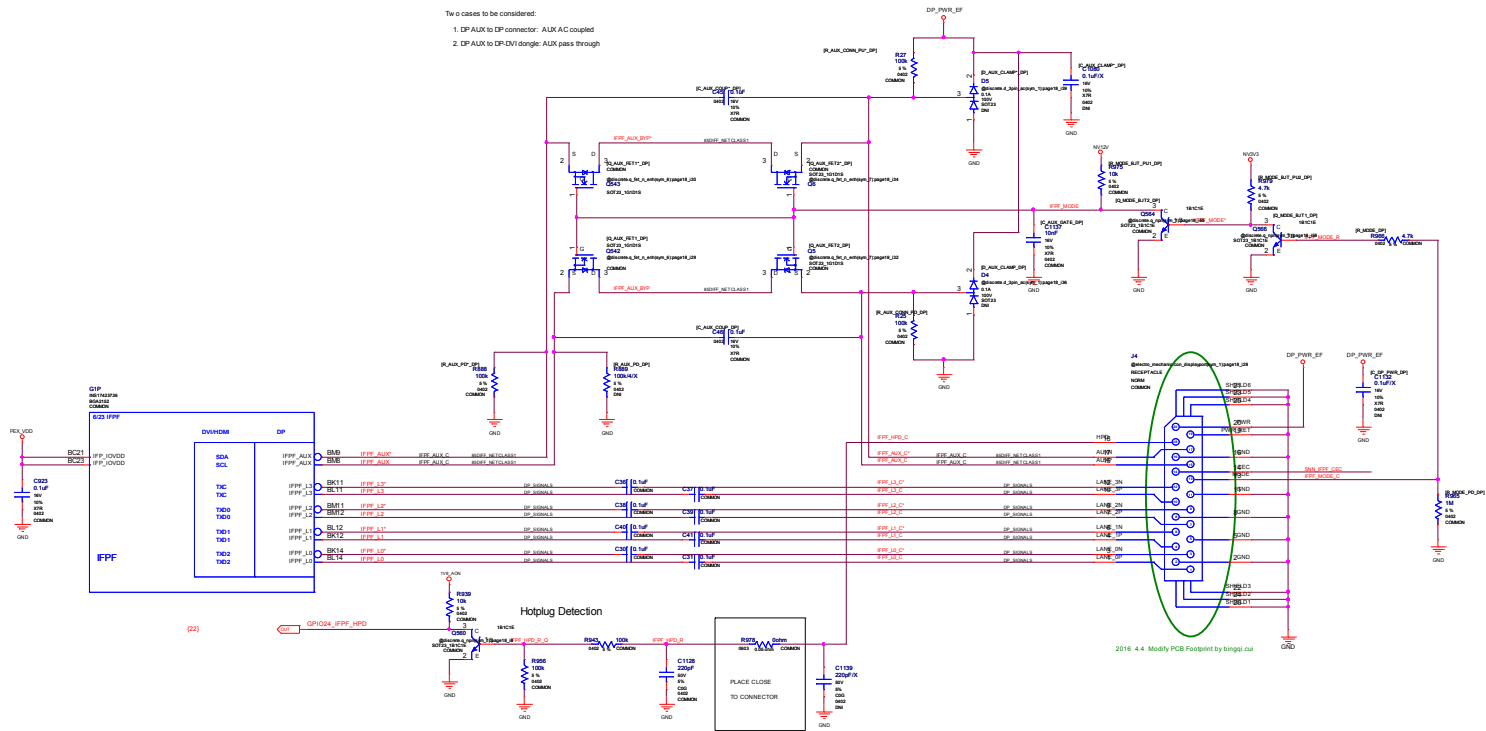


ALL NVIDIA DESIGN SPECIFICATIONS, REFERENCE SPECIFICATIONS, REFERENCE BOARDS, FILES, DRAWINGS, DIAGNOSTICS, LISTS AND OTHER DOCUMENTS OR INFORMATION (TOGETHER AND SEPARATELY, "MATERIALS") ARE BEING PROVIDED "AS IS". THE MATERIALS MAY CONTAIN KNOWN AND UNKNOWN VIOLATIONS OR DEVIATIONS OF INDUSTRY STANDARDS AND SPECIFICATIONS. NVIDIA MAKES NO WARRANTIES, EXPRESSED, IMPLIED, STATUTORY OR OTHERWISE WITH RESPECT TO THE MATERIALS OR OTHERWISE, AND EXPRESSLY DISCLAIMS ALL IMPLIED WARRANTIES INCLUDING, WITHOUT LIMITATION, THE WARRANTIES OF DESIGN, OF ADEQUACY/FITNESS FOR A PARTICULAR PURPOSE, OR ARISING FROM A COURSE OF DEALING, TRADE USAGE, TRADE PRACTICE, OR INDUSTRY STANDARDS.

GIGABYTE		
Doc No	IFPE DP	
Doc Status	Document Number	Rev
	GV-N1060G1 GAMING-3GD	1.0
Date	Issued: Aug 18, 2016	Sheet 17 of 42

Two cases to be considered:

1. DP AUX to DP connector: AUX AC coupled
2. DP AUX to DP/DMI dongle: AUX pass through

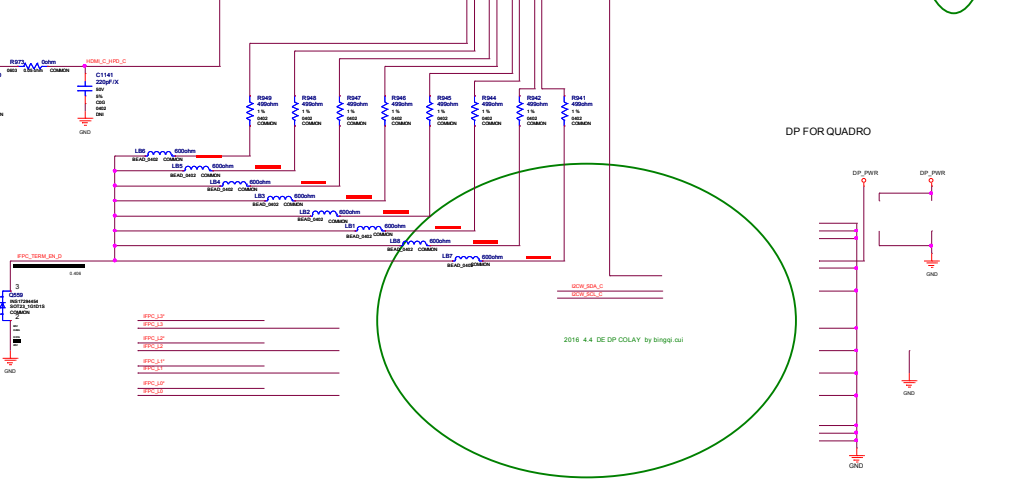
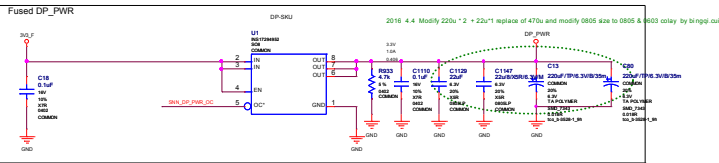
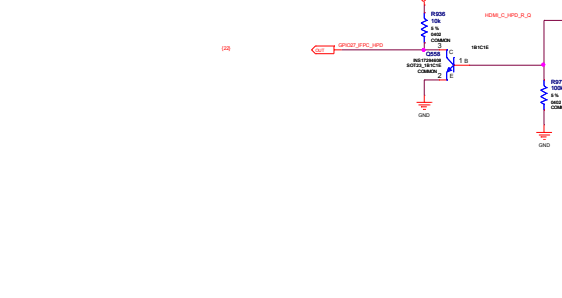
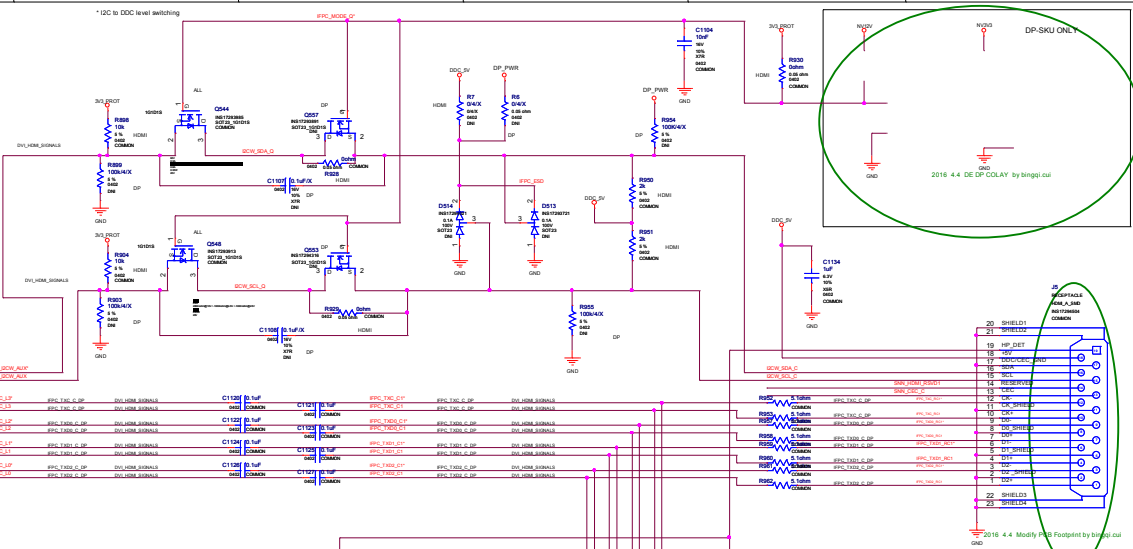
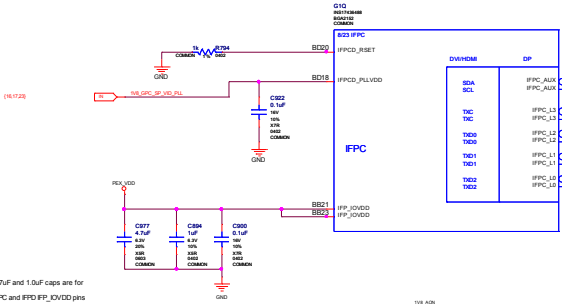
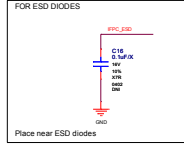


2016 4 4 Modify PCB Footprint by bingqi ou

GIGABYTE			
Rev	IFPF DP	Docum Number	Rev
Rev	1.0	GV-N1060G1 GAMING-3GD	1.0
Date	2016/01/18	Sheet	18 of 42

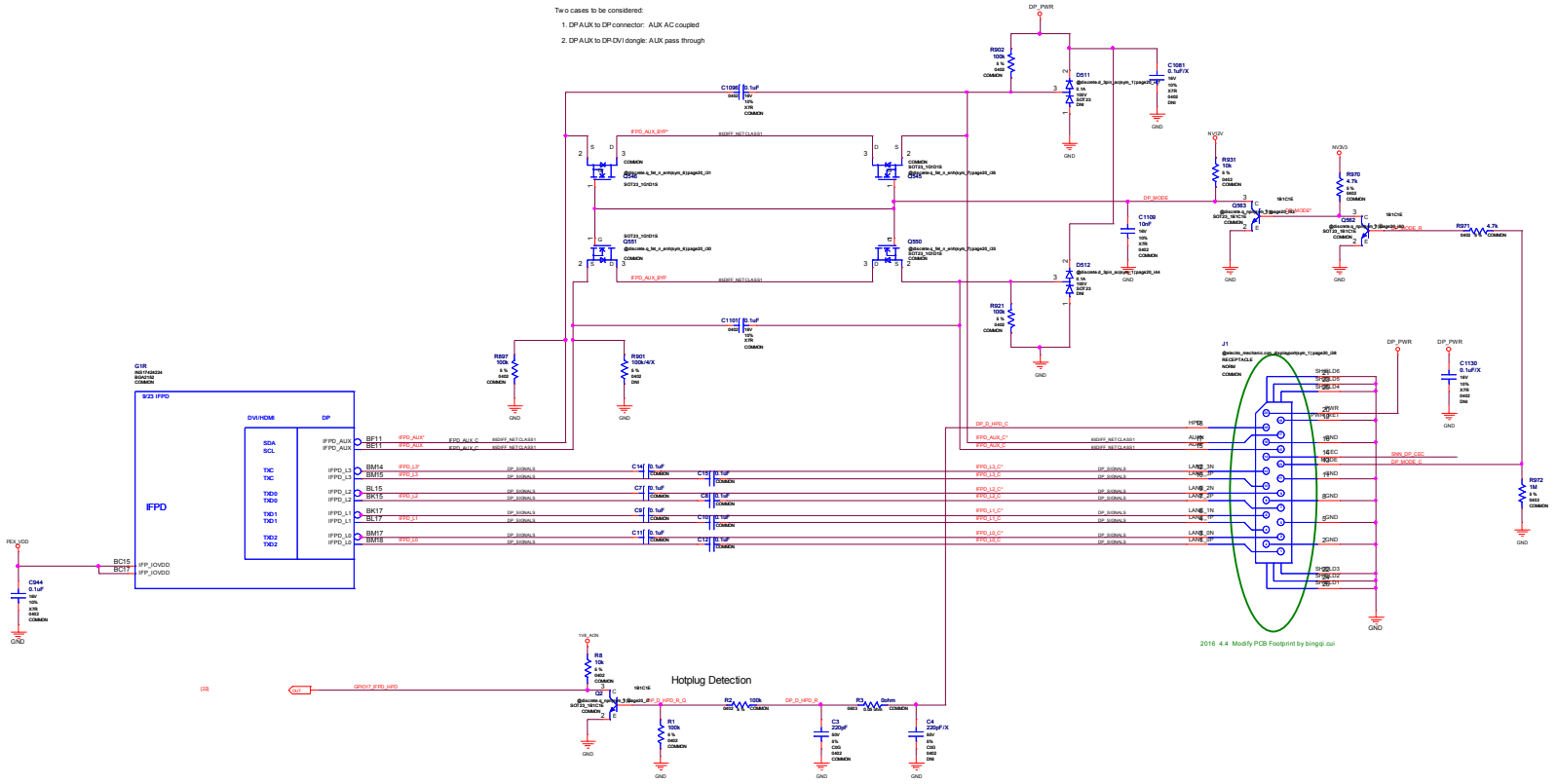
ALL NVIDIA DESIGN SPECIFICATIONS, REFERENCE BOARDS, FILES, DRAWINGS, DIAGNOSTIC LISTS AND OTHER DOCUMENTS (TOGETHER AND SEPARATELY, "MATERIALS") ARE BEING PROVIDED AS IS: THE MATERIALS MAY CONTAIN KNOWN AND UNKNOWN VIOLATIONS OR DEVIATIONS OF INDUSTRY STANDARDS AND SPECIFICATIONS. NVIDIA MAKES NO WARRANTIES, EXPRESSED, IMPLIED, STATUTORY OR OTHERWISE WITH RESPECT TO THE MATERIALS AND EXPRESSLY DISCLAIMS ALL IMPLIED WARRANTIES INCLUDING, WITHOUT LIMITATION, THE WARRANTIES OF DESIGN, OF NONINFRINGEMENT OR FITNESS FOR A PARTICULAR PURPOSE, OR ARISING FROM A COURSE OF DEALING, TRADE USAGE, TRADE PRACTICE, OR INDUSTRY STANDARDS.

ASSEMBLY PAGE DETAIL
IFPF DP



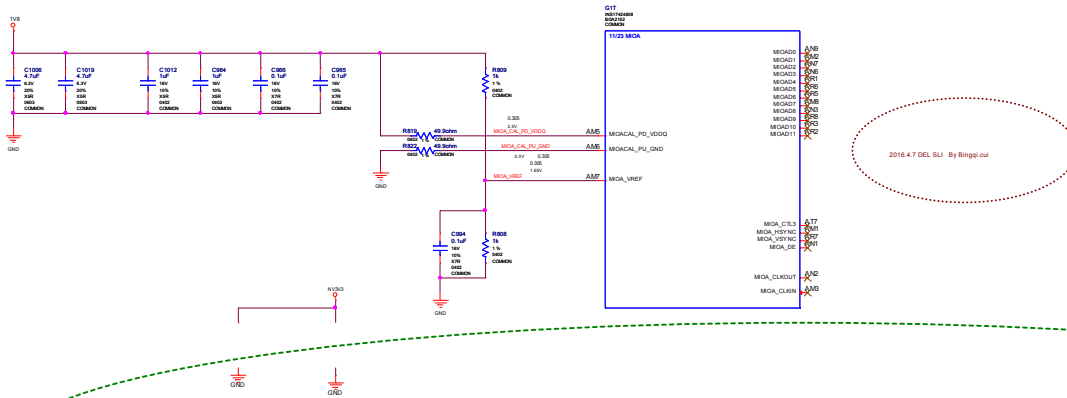
GIGABYTE		
IFPC HDMI 2.0		
Doc No	Document Number	Rev
	GV-N1060G1 GAMING-3GD	1.0
Date	Issue	By
2016.08.18.2016		39

- Two cases to be considered:
1. DP AUX to DP connector: AUX AC coupled
 2. DP AUX to DP DV (dongle): AUX pass through

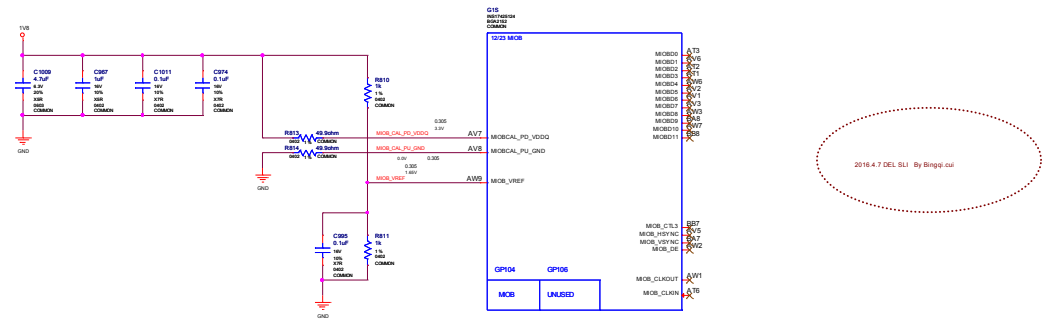


2016 4.4 Modify PCB Footprint by smpg.cui

Hotplug Detection

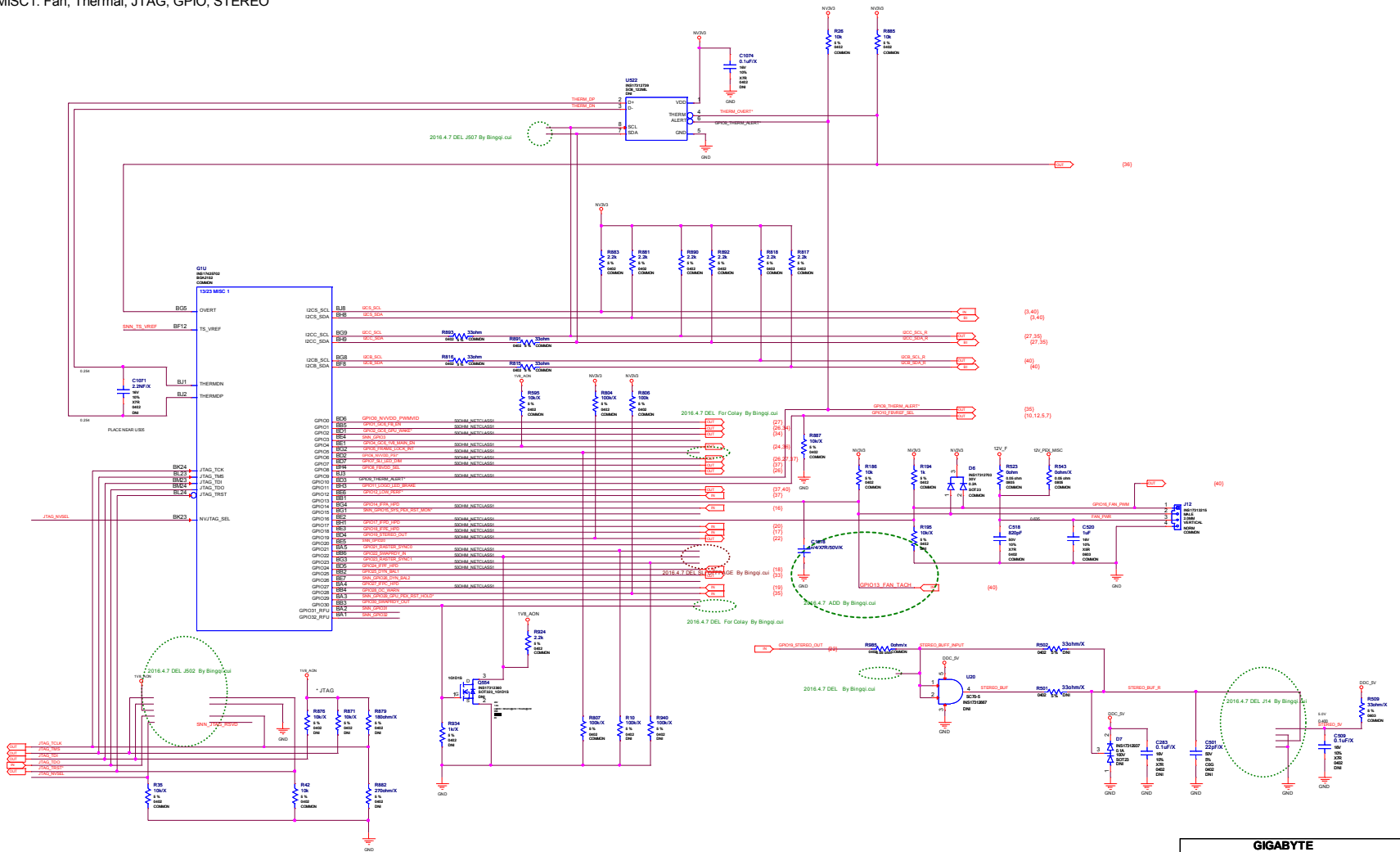


2016.4.7 Del Co-Lay By Bingqi.cui



ALL NVIDIA DESIGN SPECIFICATIONS, REFERENCE BOARDS, FILES, DRAWINGS, DIAGNOSTIC LISTS AND OTHER DOCUMENTS (TOGETHER AND SEPARATELY, "MATERIALS") ARE BEING PROVIDED "AS IS". THE MATERIALS MAY CONTAIN KNOWN AND UNKNOWN VIOLATIONS OR DEVIATIONS OF INDUSTRY STANDARDS AND SPECIFICATIONS. NVIDIA MAKES NO WARRANTIES, EXPRESSED, IMPLIED, STATUTORY OR OTHERWISE WITH RESPECT TO THE MATERIALS AND EXPRESSLY DISCLAIMS ALL IMPLIED WARRANTIES INCLUDING, WITHOUT LIMITATION, THE WARRANTIES OF DESIGN, OF NONINFRINGEMENT, MERCHANTABILITY OR FITNESS FOR A PARTICULAR PURPOSE, OR ARISING FROM A COURSE OF DEALING, TRADE USAGE, TRADE PRACTICE, OR INDUSTRY STANDARDS.

GIGABYTE		
MIOA/B Interface and FRAME LOCK		
Doc No	Document Number	Rev
	GV-N1060G1 GAMING-3GD	1.0
Date	Created	By
	2016.04.19.2016	BJ



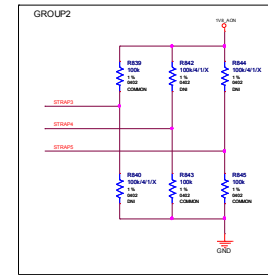
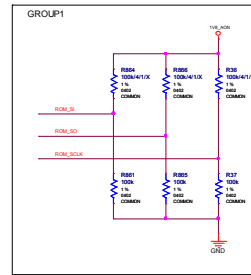
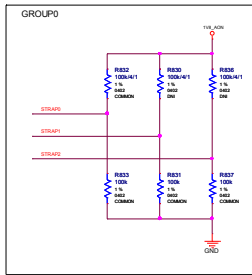
STRAP2	STRAP1	STRAP0	RAMCFG[4:0]	
L	L	L	0000	
L	L	L	00010	
L	H	L	00011	
H	H	L	00110	
H	H	H	00111	
ROM_SO	ROM_SI	ROM_SCLK	SOR0[1/2/3]	
L	L	L	1111	DEFAULT SOR0[1/2/3] ENABLE
L	L	H	1110	
L	H	L	1101	
L	H	H	1100	
H	L	L	1011	
H	L	H	1010	
H	H	L	1001	
H	H	H	1000	
L	L	M	0111	
L	M	L	0110	
L	M	H	0101	
L	H	M	0100	
H	L	M	0011	
H	M	L	0010	
H	M	H	0001	
H	H	M	0000	

STRAPS	STRAP4	STRAP3	SMB_ALT_ADDR	DEVID_SEL	PCIE_CFG	VGA_DEVICE
M	H	H	1	1	1	1
M	H	L	1	1	1	0
M	L	H	1	1	0	1
M	L	L	1	1	0	0
L	H	M	1	0	1	1
L	M	H	1	0	1	0
L	M	L	1	0	0	1
L	L	M	1	0	0	0
H	H	H	0	1	1	1
H	H	L	0	1	1	0
H	L	H	0	1	0	1
H	L	L	0	1	0	0
L	H	H	0	0	1	1
L	H	L	0	0	1	0
L	L	H	0	0	0	1
L	L	L	0	0	0	0

H=High :Tied to 1.8V
M=Middle:Tied to 0.9V
L=Low :Tied to 0V

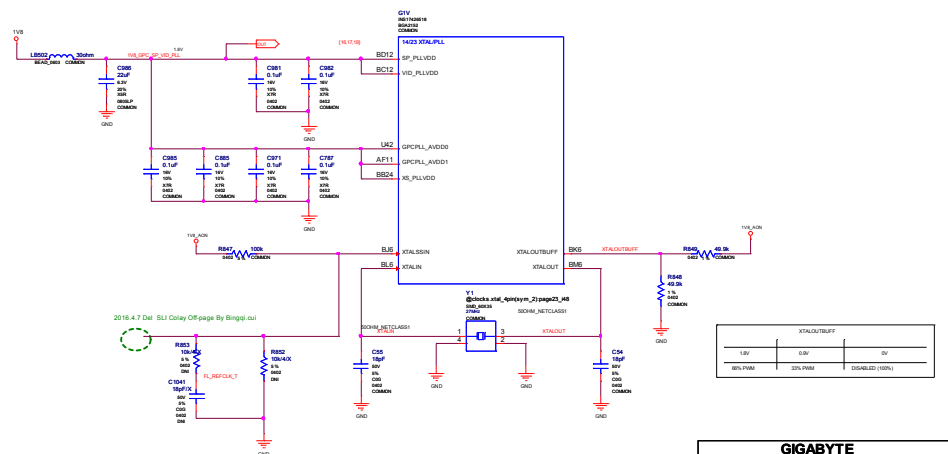
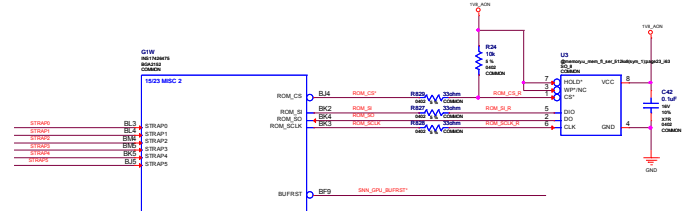
1:SMB_ALT_ADDR ENABLE
0:SMB_ALT_ADDR DISABLE
1:DEVID_SEL REBRAND
0:DEVID_SEL ORIGINAL

1:PCIE_CFG LOW POWER
0:PCIE_CFG HIGH POWER
1:VGA_DEVICE ENABLE
0:VGA_DEVICE DISABLE



CFG[3:0] Config Vendor

0000	256M/32 256-bit Samsung
0001	256M/32 256-bit Micron
0010	256M/32 256-bit Hynix
0011	Reserved
0100	Reserved
0101	Reserved
0110	Reserved
0111	Reserved



XTALOUTBUFF		
18V	0V	0V
18V_PPM	18V_PPM	DISABLED (10%)

GIGABYTE

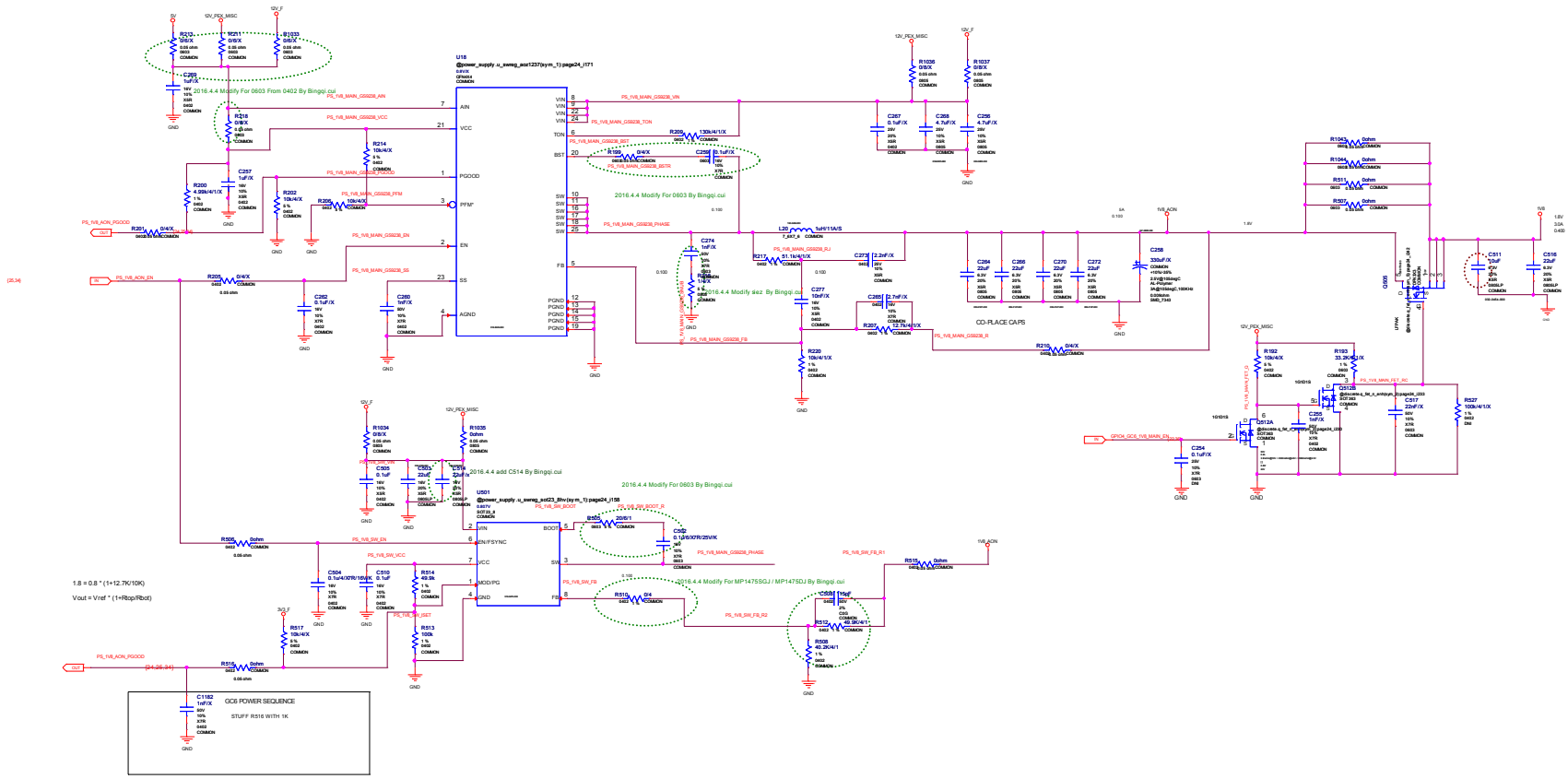
Part: **MSC2: ROM, XTAL, Straps**

Document Number: **GV-N1060G1 GAMING-3GD**

Rev: **1.0**

Date: **1/20/2018**

Page: **23** of **42**



GDS POWER SEQUENCE	
C1162	1uF/1X
C1163	1uF/1X
STUFF R216 WITH 1K	
C1164	1uF/1X
C1165	1uF/1X
C1166	1uF/1X
C1167	1uF/1X
C1168	1uF/1X
C1169	1uF/1X
C1170	1uF/1X
C1171	1uF/1X
C1172	1uF/1X
C1173	1uF/1X
C1174	1uF/1X
C1175	1uF/1X
C1176	1uF/1X
C1177	1uF/1X
C1178	1uF/1X
C1179	1uF/1X
C1180	1uF/1X
C1181	1uF/1X
C1182	1uF/1X
C1183	1uF/1X
C1184	1uF/1X
C1185	1uF/1X
C1186	1uF/1X
C1187	1uF/1X
C1188	1uF/1X
C1189	1uF/1X
C1190	1uF/1X
C1191	1uF/1X
C1192	1uF/1X
C1193	1uF/1X
C1194	1uF/1X
C1195	1uF/1X
C1196	1uF/1X
C1197	1uF/1X
C1198	1uF/1X
C1199	1uF/1X
C1200	1uF/1X
C1201	1uF/1X
C1202	1uF/1X
C1203	1uF/1X
C1204	1uF/1X
C1205	1uF/1X
C1206	1uF/1X
C1207	1uF/1X
C1208	1uF/1X
C1209	1uF/1X
C1210	1uF/1X
C1211	1uF/1X
C1212	1uF/1X
C1213	1uF/1X
C1214	1uF/1X
C1215	1uF/1X
C1216	1uF/1X
C1217	1uF/1X
C1218	1uF/1X
C1219	1uF/1X
C1220	1uF/1X
C1221	1uF/1X
C1222	1uF/1X
C1223	1uF/1X
C1224	1uF/1X
C1225	1uF/1X
C1226	1uF/1X
C1227	1uF/1X
C1228	1uF/1X
C1229	1uF/1X
C1230	1uF/1X
C1231	1uF/1X
C1232	1uF/1X
C1233	1uF/1X
C1234	1uF/1X
C1235	1uF/1X
C1236	1uF/1X
C1237	1uF/1X
C1238	1uF/1X
C1239	1uF/1X
C1240	1uF/1X
C1241	1uF/1X
C1242	1uF/1X
C1243	1uF/1X
C1244	1uF/1X
C1245	1uF/1X
C1246	1uF/1X
C1247	1uF/1X
C1248	1uF/1X
C1249	1uF/1X
C1250	1uF/1X
C1251	1uF/1X
C1252	1uF/1X
C1253	1uF/1X
C1254	1uF/1X
C1255	1uF/1X
C1256	1uF/1X
C1257	1uF/1X
C1258	1uF/1X
C1259	1uF/1X
C1260	1uF/1X
C1261	1uF/1X
C1262	1uF/1X
C1263	1uF/1X
C1264	1uF/1X
C1265	1uF/1X
C1266	1uF/1X
C1267	1uF/1X
C1268	1uF/1X
C1269	1uF/1X
C1270	1uF/1X
C1271	1uF/1X
C1272	1uF/1X
C1273	1uF/1X
C1274	1uF/1X
C1275	1uF/1X
C1276	1uF/1X
C1277	1uF/1X
C1278	1uF/1X
C1279	1uF/1X
C1280	1uF/1X
C1281	1uF/1X
C1282	1uF/1X
C1283	1uF/1X
C1284	1uF/1X
C1285	1uF/1X
C1286	1uF/1X
C1287	1uF/1X
C1288	1uF/1X
C1289	1uF/1X
C1290	1uF/1X
C1291	1uF/1X
C1292	1uF/1X
C1293	1uF/1X
C1294	1uF/1X
C1295	1uF/1X
C1296	1uF/1X
C1297	1uF/1X
C1298	1uF/1X
C1299	1uF/1X
C1300	1uF/1X

GIGABYTE		
1V8, 1V8_AON		
Doc No:	Document Number	Rev
1V8_AON	GV-N1060G1 GAMING-3GD	1.0
Date:	Released:	By:
2016.02.18.2016		

ALL NVIDIA DESIGN SPECIFICATIONS, REFERENCE SPECIFICATIONS, REFERENCE BOARDS, FILES, DRAWINGS, DIAGNOSTIC LISTS AND OTHER DOCUMENTS OR INFORMATION (TOGETHER AND SEPARATELY, "MATERIALS") ARE BEING PROVIDED "AS IS". THE MATERIALS MAY CONTAIN KNOWN AND UNKNOWN VIOLATIONS OR DEVIATIONS OF INDUSTRY STANDARDS AND SPECIFICATIONS. NVIDIA MAKES NO WARRANTIES, EXPRESSED, IMPLIED, STATUTORY OR OTHERWISE WITH RESPECT TO THE MATERIALS OR OTHERWISE, AND EXPRESSLY DISCLAIMS ALL IMPLIED WARRANTIES INCLUDING, WITHOUT LIMITATION, THE WARRANTIES OF DESIGN, OF NONINFRINGEMENT, MERCHANTABILITY OR FITNESS FOR A PARTICULAR PURPOSE, OR ARISING FROM A COURSE OF DEALING, TRADE USAGE, TRADE PRACTICE, OR INDUSTRY STANDARDS.

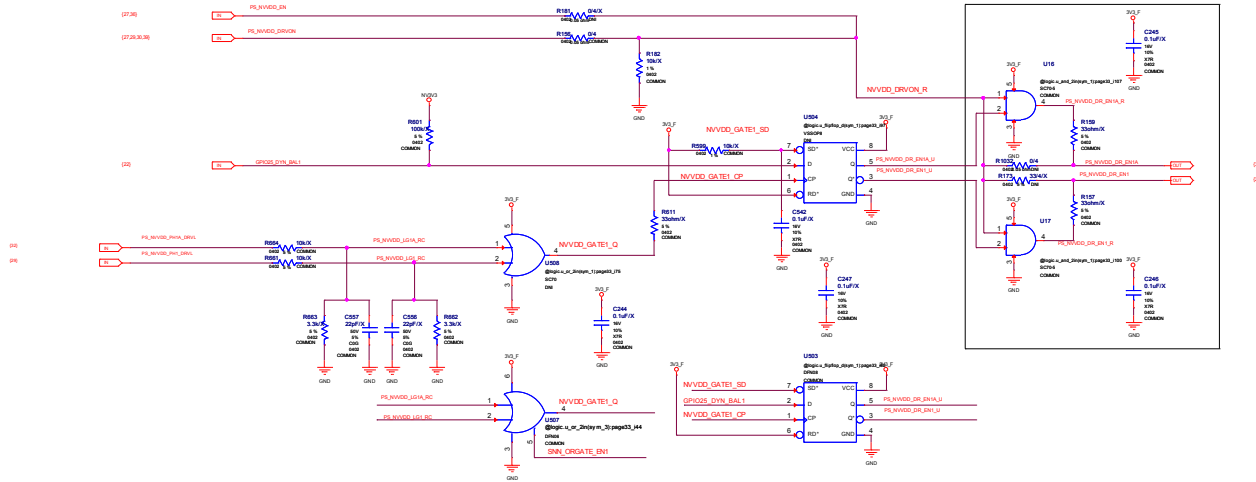
ASSEMBLY PAGE DETAIL
PS: Blank Page
-ASSEMBLY_DESCRIPTION-
PS: Blank Page

GIGABYTE		
Blank Page		
Doc Blank	Document Number GV-N1060G1 GAMING-3GD	Rev 1.0
Date: Tuesday, July 19, 2016 Page: 28 of 32		

ALL NVIDIA DESIGN SPECIFICATIONS, REFERENCE SPECIFICATIONS, REFERENCE BOARDS, FILES, DRAWINGS, DIAGNOSTIC, LISTS AND OTHER DOCUMENTS OR INFORMATION (TOGETHER AND SEPARATELY, "MATERIALS") ARE BEING PROVIDED "AS IS". THE MATERIALS MAY CONTAIN KNOWN AND UNKNOWN VIOLATIONS OR DEVIATIONS OF INDUSTRY STANDARDS AND SPECIFICATIONS. NVIDIA MAKES NO WARRANTIES, EXPRESSED, IMPLIED, STATUTORY OR OTHERWISE WITH RESPECT TO THE MATERIALS OR OTHERWISE, AND EXPRESSLY DISCLAIMS ALL IMPLIED WARRANTIES INCLUDING, WITHOUT LIMITATION, THE WARRANTIES OF DESIGN, OF NONINFRINGEMENT, MERCHANTABILITY OR FITNESS FOR A PARTICULAR PURPOSE, OR ARISING FROM A COURSE OF DEALING, TRADE USAGE, TRADE PRACTICE, OR INDUSTRY STANDARDS.

ASSEMBLY PAGE DETAIL
PS: Blank Page
-ASSEMBLY_DESCRIPTION-
PS: Blank Page

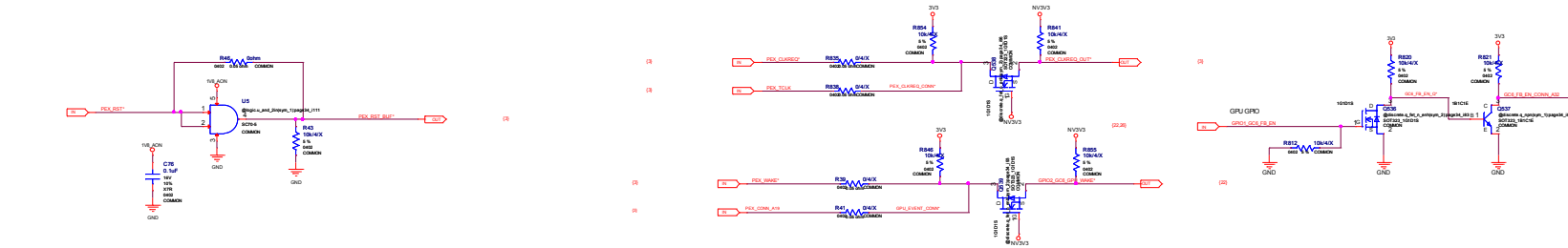
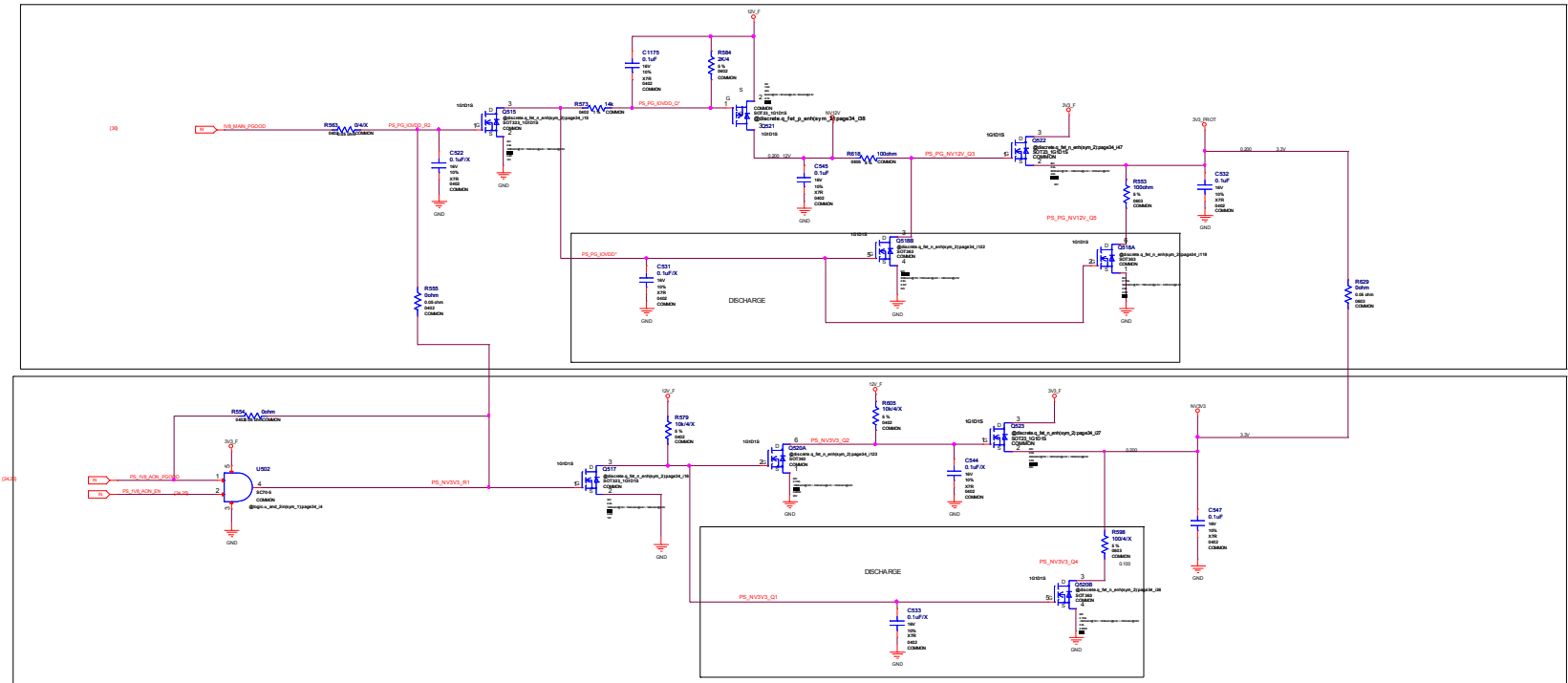
GIGABYTE		
Blank Page		
Doc	Document Number	Rev
Blank	GV-N1060G1 GAMING-3GD	1.0
Date:	Issued: Aug 18, 2016	Sheet: 31 of 32



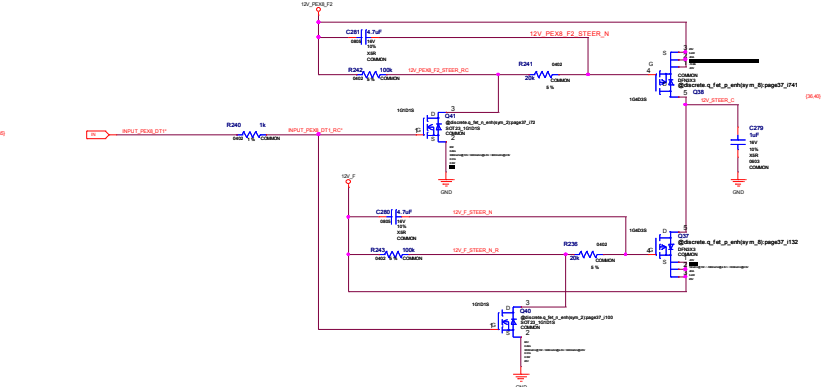
ASSEMBLY PAGE DETAIL
 -ASSEMBLY_DESCRIPTION-
 PS: Dynamic Power Balance Logic

GIGABYTE		
Dynamic Power Balance Logic		
Doc Number	GV-N1060G1 GAMING-3GD	Rev 1.0
Date	2016.02.19	Sheet 33 of 42

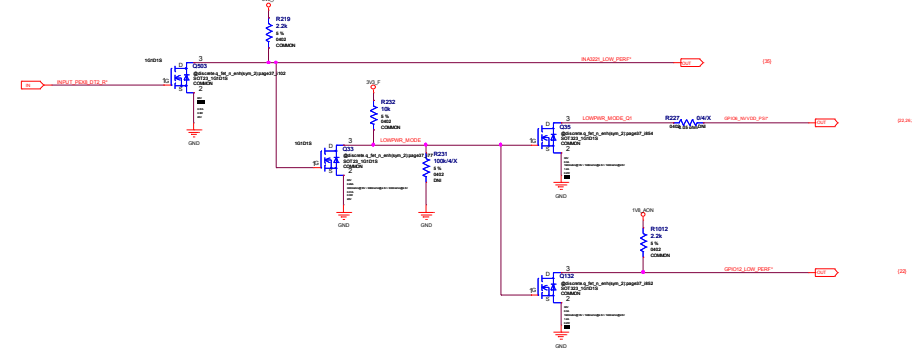
ALL NVIDIA DESIGN SPECIFICATIONS, REFERENCE SPECIFICATIONS, REFERENCE BOARDS, FILES, DRAWINGS, DIAGNOSTIC LISTS AND OTHER DOCUMENTS OR INFORMATION (TOGETHER AND SEPARATELY, "MATERIALS") ARE BEING PROVIDED "AS IS". THE MATERIALS MAY CONTAIN KNOWN AND UNKNOWN VIOLATIONS OR DEVIATIONS OF INDUSTRY STANDARDS AND SPECIFICATIONS. NVIDIA MAKES NO WARRANTIES, EXPRESSED, IMPLIED, STATUTORY OR OTHERWISE WITH RESPECT TO THE MATERIALS OR OTHERWISE, AND EXPRESSLY DISCLAIMS ALL IMPLIED WARRANTIES INCLUDING, WITHOUT LIMITATION, THE WARRANTIES OF DESIGN, OR NONINFRINGEMENT, MERCHANTABILITY OR FITNESS FOR A PARTICULAR PURPOSE, OR ARISING FROM A COURSE OF DEALING, TRADE USAGE, TRADE PRACTICE, OR INDUSTRY STANDARDS.



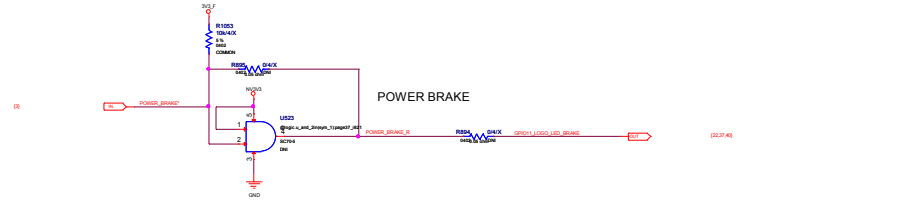
PEX Input - 12V Current Steering FETs



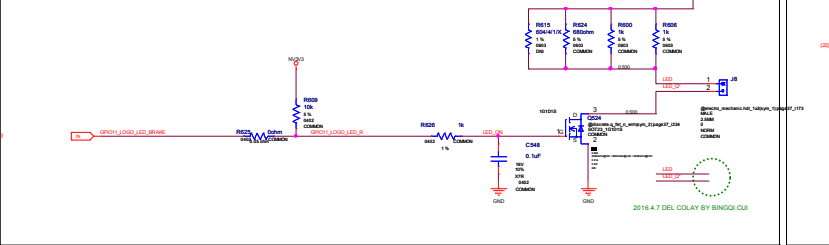
PEX Input - Power Level/PSI Control



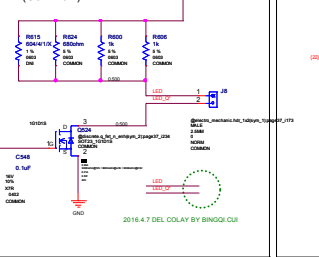
POWER BRAKE



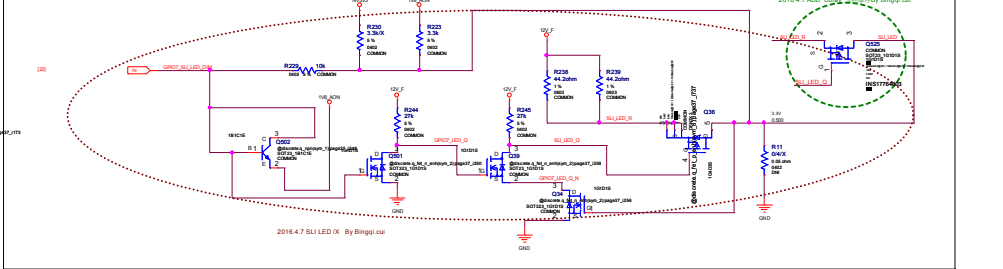
GeForce Logo LED



LED HEADER (COMMON)

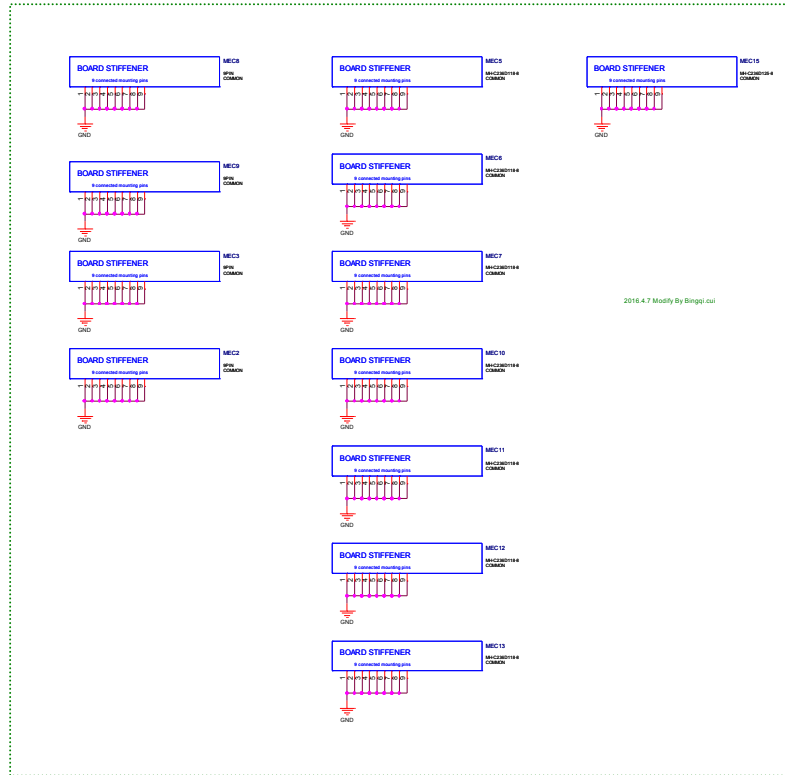


SLI LED (GEFORCE ONLY)



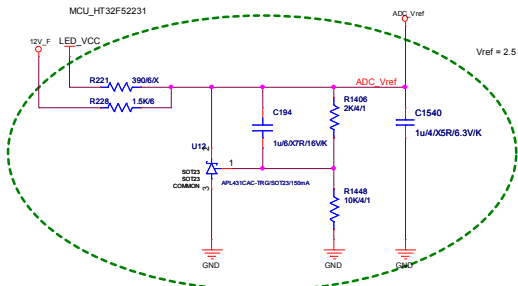
GIGABYTE		
12V Current Steering, PSI Control, and LED		
Doc No:	Document Number	Rev
	GV-N1060G1 GAMING-3GD	1.0
Date:	Released: Aug 18, 2016	Sheet: 37 of 42

ALL NVIDIA DESIGN SPECIFICATIONS, REFERENCE BOARD SPECIFICATIONS, REFERENCE BOARDS, FILES, DRAWINGS, DIAGNOSTICS, LISTS AND OTHER DOCUMENTS OR INFORMATION (TOGETHER AND SEPARATELY, "MATERIALS") ARE BEING PROVIDED AS IS. THE MATERIALS MAY CONTAIN KNOWN AND UNKNOWN VIOLATIONS OR DEVIATIONS OF INDUSTRY STANDARDS AND SPECIFICATIONS. NVIDIA MAKES NO WARRANTIES, EXPRESSED, IMPLIED, STATUTORY OR OTHERWISE WITH RESPECT TO THE MATERIALS OR OTHERWISE, AND EXPRESSLY DISCLAIMS ALL IMPLIED WARRANTIES INCLUDING, WITHOUT LIMITATION, THE WARRANTIES OF DESIGN, OF NONINFRINGEMENT, MERCHANTABILITY OR FITNESS FOR A PARTICULAR PURPOSE, OR ARISING FROM A COURSE OF DEALING, TRADE USAGE, TRADE PRACTICE, OR INDUSTRY STANDARDS.

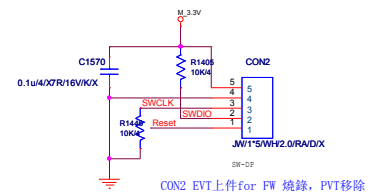
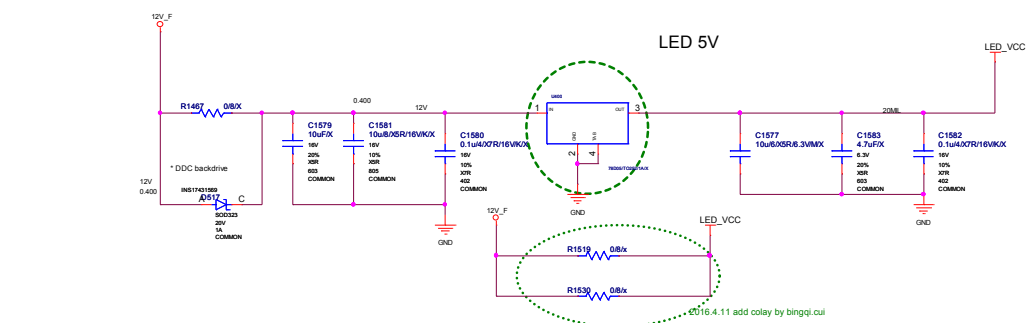
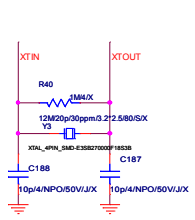
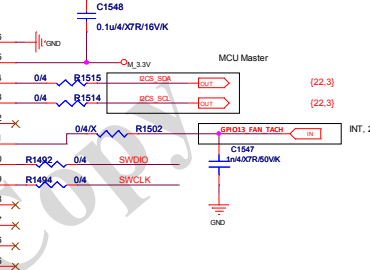
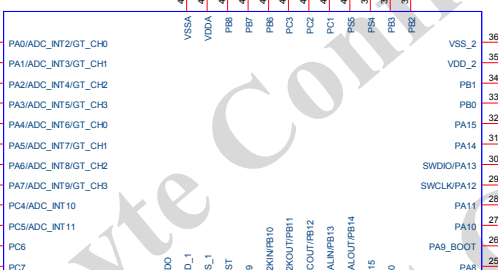
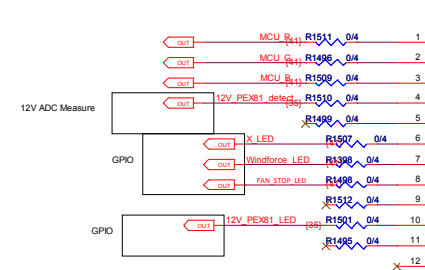
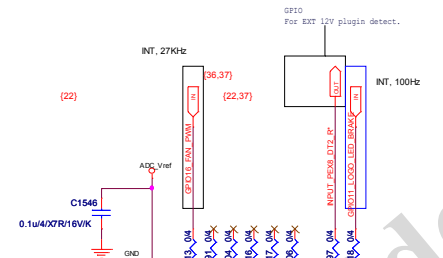


ASSEMBLY PAGE DETAIL
 -ASSEMBLY_DESCRIPTION-
 MEC1: Bracket/Thermal

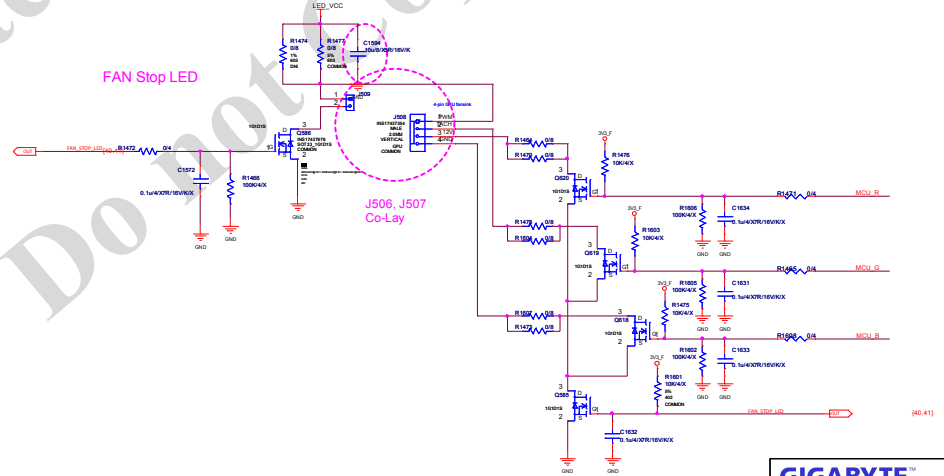
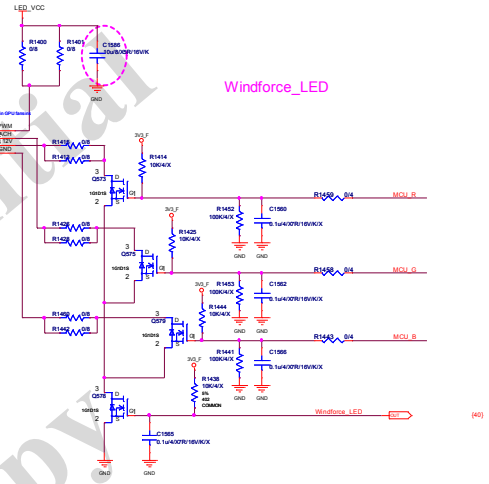
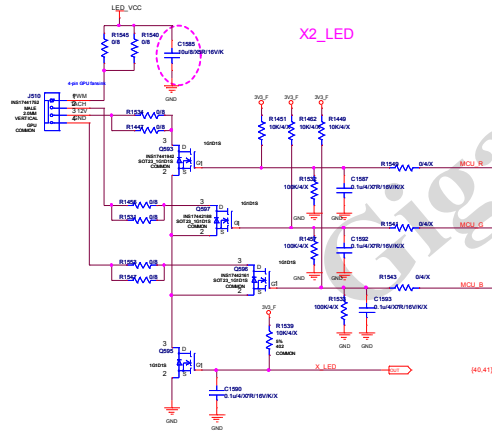
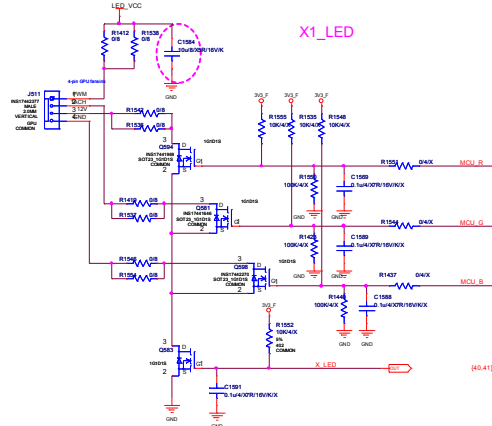
GIGABYTE		
Bracket/Thermal Solution		
Doc Date	Document Number GV-N1060G1 GAMING-3GD	Rev 1.0
Date: Tuesday, Aug 19, 2016 Page: 38 of 42		



U547
HT32F52241



LED



ASSEMBLY PAGE DETAIL BASE LEVEL GENERIC SCHEMATIC ONLY
 MECH

GIGABYTE

File	LED		Rev
Size	Document Number	GV-N1060G1 GAMING-3GD	1.0
Date	Tuesday, July 19, 2016		Sheet 41 of 52

ALL NVIDIA DESIGN SPECIFICATIONS, REFERENCE SPECIFICATIONS, REFERENCE BOARDS, FILES, DRAWINGS, DIAGNOSTIC LISTS AND OTHER DOCUMENTS OR INFORMATION (TOGETHER AND SEPARATELY, "MATERIALS") ARE BEING PROVIDED AS IS. THE MATERIALS MAY CONTAIN KNOWN AND UNKNOWN VIOLATIONS OR DEVIATIONS OF INDUSTRY STANDARDS AND SPECIFICATIONS. NVIDIA MAKES NO WARRANTIES, EXPRESSED, IMPLIED, STATUTORY OR OTHERWISE WITH RESPECT TO THE MATERIALS OR OTHERWISE, AND EXPRESSLY DISCLAIMS ALL IMPLIED WARRANTIES INCLUDING, WITHOUT LIMITATION, THE WARRANTIES OF DESIGN, OF NO INFRINGEMENT, MERCHANTABILITY OR FITNESS FOR A PARTICULAR PURPOSE, OR ARISING FROM A COURSE OF DEALING, TRADE USAGE, TRADE PRACTICE OR INDUSTRY STANDARDS.

History

Data	Modify
2016.04.04	First version

Gigabyte Confidential
Do not Copy

Title		
Size A	Document Number history GV-N1060G1 GAMING-3GD	Rev 1.0
Date:	Tuesday, July 19, 2016	Sheet 42 of 42